

KADRO 60

A piece-of-art luminaire with three notable characteristics: sophisticated design, flexibility and high performance. It's unique trapezoid design raises the architectural interest and impresses the observer. There are three frames with different dimensions in which 1,2 or 3 modules of light sources can be intergrated. Thanks to it's optimal optical system, it offers precise, uniform light distribution and excellent lighting quality.

Technical Features

- Aluminium frame, painted electrostatically in selected colour or plated.
- Outer adjustable ring from die-cast aluminium.
- Inner ring for easy lamp replacement.
- High pure aluminium reflectors in Spot, Medium, Wide versions.
- Tempered protection glass.
- Easy mounting with clips.

Upon request:

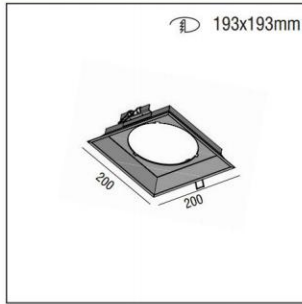
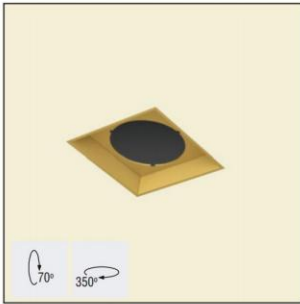
Available with highest colour rendering index (CRI)

For LED Version

- Pure light without IR/UV radiation.
- Die cast aluminum heatsink anodized.
- Efficient thermal management.
- 1800 lumen in 22W neutral edition or 2830 lumen in 30W.
- Operation life: 50,000 hours with efficiency > 70% of the initial luminous flux.
- Connection for operation with Constant Current.

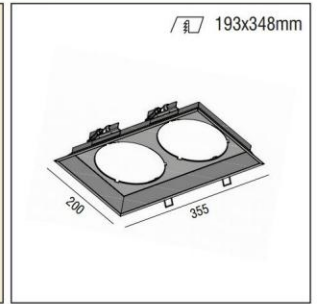
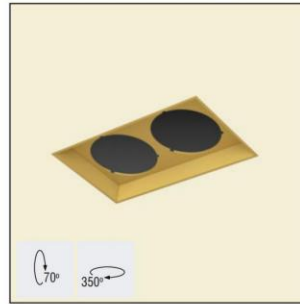
KADRO 60

KADRO 60 1x... Fitting



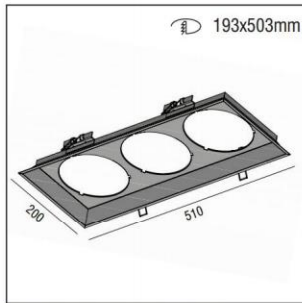
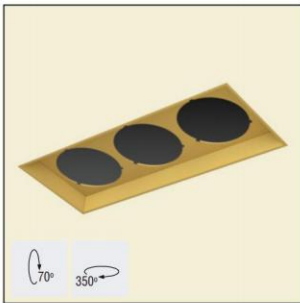
| Code | Description | Kg |
|-------|----------------|-------|
| 86876 | KADRO 60 1x... | 0,270 |

KADRO 61 2x... Fitting



| Code | Description | Kg |
|-------|----------------|-------|
| 86877 | KADRO 61 2x... | 0,430 |

KADRO 62 3x... Fitting



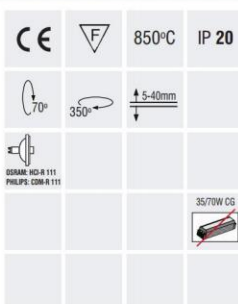
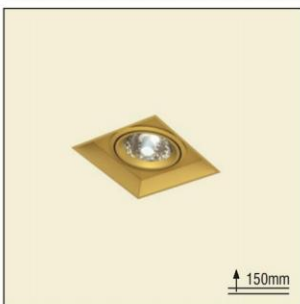
| Code | Description | Kg |
|-------|----------------|-------|
| 86878 | KADRO 62 3x... | 0,590 |

EXAMPLE

|  | |  | |  | |
|--|-------|---|-------|---|-------|
| KADRO 61 2x... | | MODULE 60 DIAS LED CHIP 22W | | DRIVER 500mA 30W IP20 | |
| CODE | PIECE | CODE | PIECE | CODE | PIECE |
| 86877 | 1 | 80618 | 2 | 498701 | 2 |

KADRO 60 + Module 60 POSIDON HI-PAR 111

Module 60 POSIDON HI-PAR 111



- Version for HI-PAR 111/GX8,5.
- Outer adjustable ring from die-cast aluminium.
- Inner ring for easy lamp replacement.

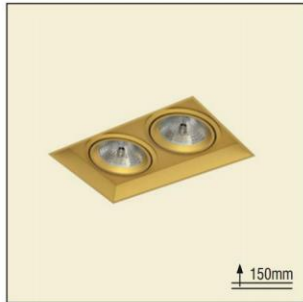
| Code | Description | Kg |
|-------|------------------------------------|-------|
| 80615 | Module 60 POSIDON HI-PAR 111/GX8.5 | 0,250 |



KADRO 60

KADRO 61 + Module 60 DIONISOS QR111

Module 60 DIONISOS QR111



| | | | |
|---|------|----------|-------------|
| CE | F | 850°C | IP 20 |
| 70° | 350° | ± 5-40mm | |
| OSRAM HALOPOINT 111 PHILIPS AURORA 111 | | | 607015W G53 |

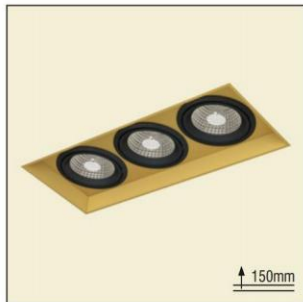
- Version for QR111/G53.
- Outer adjustable ring from die-cast aluminium.
- Inner ring for easy lamp replacement.

| Code | Description | Kg |
|-------|------------------------------|-------|
| 80610 | Module 60 DIONISOS QR111/G53 | 0,250 |



KADRO 62 + Module 60 APOLLON HIT-CE

Module 60 APOLLON HIT-CE



| | | | |
|-----------------------------|------|----------|--------------|
| CE | F | 850°C | IP 20 |
| 70° | 350° | ± 5-40mm | |
| OSRAM HO-T PHILIPS COM-T | | | 3570150W G12 |

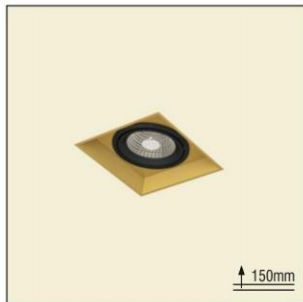
- Version for HIT-CE/G12.
- Outer adjustable ring from die-cast aluminium.
- Inner ring for easy lamp replacement.
- High pure aluminium reflectors in Spot, Medium, Wide.
- Tempered protection glass.

| Code | Description | Kg |
|-------|-------------------------------------|-------|
| 80612 | Module 60 APOLLON HIT-CE/G12 SPOT | 0,500 |
| 80611 | Module 60 APOLLON HIT-CE/G12 MEDIUM | 0,500 |
| 80619 | Module 60 APOLLON HIT-CE/G12 WIDE | 0,500 |



KADRO 60 + Module 60 IFESTOS HIT-TC-CE

Module 60 IFESTOS HIT-TC-CE



| | | | |
|-----------------------------|------|----------|-------------|
| CE | F | 850°C | IP 20 |
| 70° | 350° | ± 5-40mm | |
| OSRAM HO-T PHILIPS COM-T | | | 2009570W G8 |

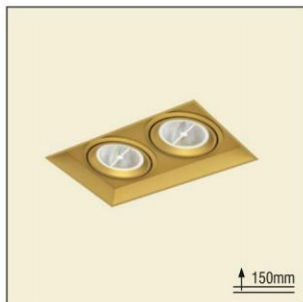
- Version for HIT-TC-CE/G8,5.
- Outer adjustable ring from die-cast aluminium.
- Inner ring for easy lamp replacement.
- High pure aluminium reflectors in Spot, Medium, Wide.
- Tempered protection glass.

| Code | Description | Kg |
|-------|--|-------|
| 80614 | Module 60 IFESTOS HIT-TC-CE /G8,5 SPOT | 0,500 |
| 80613 | Module 60 IFESTOS HIT-TC-CE /G8,5 MEDIUM | 0,500 |
| 80620 | Module 60 IFESTOS HIT-TC-CE /G8,5 WIDE | 0,500 |



KADRO 61 + Module 60 ARIS LED R111

Module 60 ARIS LED R111



| | | | |
|-----|------|----------|-------|
| CE | F | 850°C | IP 20 |
| 70° | 350° | ± 5-40mm | |
| LED | | | |
| | | | |

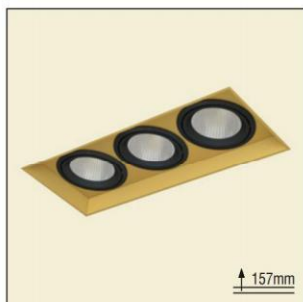
- Version for LED R111/GU10.
- Outer adjustable ring from die-cast aluminium.
- Inner ring for easy lamp replacement.
- Connection for 230V/50Hz.

| Code | Description | Kg |
|-------|-----------------------------------|-------|
| 80616 | Module 60 ARIS LED R111/GU10/230V | 0,300 |



KADRO 62 + Module 60 DIAS LED

Module 60 DIAS LED



| | | | |
|-----|------|--------------|-------|
| CE | F | 850°C | IP 20 |
| 70° | 350° | ± 10-40mm | |
| LED | | | |
| | | 500/700mA G8 | |
| | | ta 25°C | |

- Version with LED Module.
- Outer adjustable ring from die-cast aluminium.
- Inner ring for easy lamp replacement.
- 22W power consumption driven at 500mA.
- 30W power consumption driven at 700mA.
- Efficiency:
- 22W: 4000 K: 1800 Lumen, CRI: min. 75
- 22W: 3000 K: 1800 Lumen, CRI: min. 80
- 30W: 4000 K: 2830 Lumen, CRI: min. 75
- 30W: 3000 K: 2830 Lumen, CRI: min. 80
- Maximum: 95 Lm/W

| Code | Description | Kg |
|-------|-----------------------------|-------|
| 80618 | Module 60 DIAS LED CHIP 22W | 0,750 |
| 80621 | Module 60 DIAS LED CHIP 30W | 0,900 |



KADRO 60

KADRO 60 + Module 60 KRONOS HIT-TC-CE

Module 60 KRONOS HIT-TC-CE



850°C IP 20
 60° 350°
 HIT-TC-CE/GU6,5
 GU6,5
 PHILIPS COB T8
 20/35W CG

- Version for HIT-TC-CE/GU6,5.
- Outer adjustable ring from die-cast aluminium.
- Die-cast aluminium spot inside.
- High pure aluminium reflectors in Spot, Medium, Wide.
- Tempered protection glass.

| Code | Description | Kg |
|-------|--|-------|
| 80648 | Module 60 KRONOS HIT-TC-CE /GU6,5 SPOT | 0,940 |
| 80649 | Module 60 KRONOS HIT-TC-CE /GU6,5 MEDIUM | 0,940 |
| 80650 | Module 60 KRONOS HIT-TC-CE /GU6,5 WIDE | 0,940 |



KADRO 60 + Module 60 KRONOS LED

Module 60 KRONOS LED



850°C IP 20
 60° 350°
 LED
 ta 25°C
 500mA CG

- Version with LED Module.
- Outer adjustable ring from die-cast aluminium.
- Die-cast aluminium spot inside.
- 22W power consumption driven at 500mA.
- Efficiency:
 22W: 4000 K: 1800 Lumen, CRI: min. 75
 22W: 3000 K: 1800 Lumen, CRI: min. 80
 Maximum: 95 Lm/W

| Code | Description | Kg |
|-------|-------------------------------|-------|
| 80622 | Module 60 KRONOS LED CHIP 22W | 0,940 |



LED COLOUR CODES:

- 2 Warm
 3 Neutral

BEAM CODES:

- 01 spot
 02 medium
 03 wide

Colour Codes:

- 0 Colours
 1 White
 2 Titan
 3 Black
 4 Chrome
 5 matt Alum.

DRIVERS

| LED LUMINAIRES DESCRIPTION | N° Modules | | CODE |
|--|------------|------|---|
| | min. | max. | |
| MODULE 60 IFESTOS G8,5 | 1 | 1 | 20W HIT Electronic 498113 |
| MODULE 60 APOLLON/IFESTOS/POSIDON G12/G8,5/GX8,5 | 1 | 1 | 35W HIT Electronic 498223 |
| MODULE 60 APOLLON/IFESTOS/POSIDON G12/G8,5/GX8,5 | 1 | 1 | 35W HIT Magnetic AVO 498222 |
| MODULE 60 APOLLON/IFESTOS/POSIDON G12/G8,5/GX8,5 | 1 | 1 | 70W HIT Electronic 498323 |
| MODULE 60 APOLLON/IFESTOS/POSIDON G12/G8,5/GX8,5 | 1 | 1 | 70W HIT Magnetic DISPLAY 498312 |
| MODULE 60 APOLLON G12 | 1 | 1 | 150W HIT Electronic 498623 |
| MODULE 60 APOLLON G12 | 1 | 1 | 150W HIT Magnetic DISPLAY 498612 |
| MODULE 60 DIONISOS G53 | 1 | - | 60W 12V DC 800005 |
| MODULE 60 DIONISOS G53 | 1 | - | 70W 12V DC 800006 |
| MODULE 60 DIONISOS G53 | 1 | - | 105W 12V DC 800007 |
| MODULE 60 DIAS/KRONOS LED 22W CG | 1 | 1 | 500mA 30W IP20 (dimensions 156 x 50 x 23) 498706 |
| MODULE 60 DIAS LED 30W CG | 1 | 1 | 700mA 30W IP20 (dimensions 156 x 50 x 23) 498705 |

DIMMER DRIVERS

| LED LUMINAIRES DESCRIPTION | N° Modules | | DIMMER TYPE | DIMENSIONS mm | CODE |
|----------------------------------|------------|------|----------------|---------------------------|-------------------------|
| | min. | max. | | | |
| MODULE 60 DIAS/KRONOS LED 22W CG | 1 | 1 | 500mA 32W IP20 | 1-10Vdc/Push Button* | 123 x 80 x 22 498703 |
| MODULE 60 DIAS/KRONOS LED 22W CG | 1 | 1 | 500mA 32W IP20 | 1-10Vdc/Push Button/Dali* | 123 x 80 x 22 498704 |
| MODULE 60 DIAS LED 30W CG | 1 | 1 | 700mA 50W IP20 | 1-10Vdc/Push Button* | 123 x 80 x 22 498703 |
| MODULE 60 DIAS LED 30W CG | 1 | 1 | 700mA 50W IP20 | 1-10Vdc/Push Button/Dali* | 123 x 80 x 22 498704 |

* Please order **synchronization cable** for each dimmer driver separately - Code: 800044 (4m)

KADRO 60



KADRO 60

