

**KADRO 40**

A piece-of-art luminaire with three notable characteristics: sophisticated design, flexibility and high performance. It's unique trapezoid design raises the architectural interest and impresses the observer. There are three frames with different dimensions in which 1,2 or 3 modules of light sources can be intergrated. Thanks to it's optimal optical system, it offers precise, uniform light distribution and excellent lighting quality.

**Technical Features**

- Steel body, painted electrostatically in selected colour or plated.
- Outer adjustable ring from die-cast aluminium.
- Inner ring for easy lamp replacement.
- High pure aluminium reflectors in Spot, Medium, Wide versions.
- Tempered protection glass for HIT-TC-CE version.
- Easy mounting with clips.

**Upon request:**

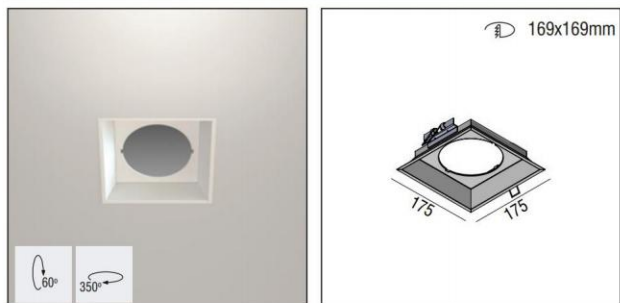
Available with highest colour rendering index (CRI)

**For LED Version**

- Pure light without IR/UV radiation.
- 7W up to 10,5W wattage range and 720 up to 1140 luminous flux range.
- Aluminum heatsink anodized.
- Operation life: 50,000 hours with efficiency > 70% of the initial luminous flux.
- Connection for operation with Constant Current.

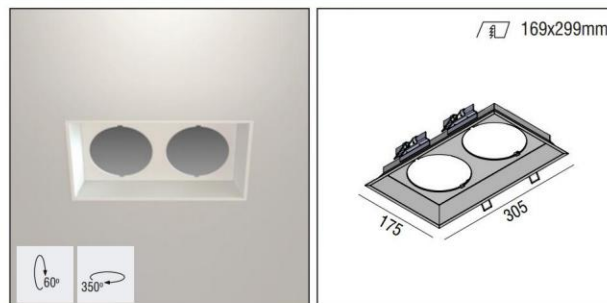
KADRO 40

KADRO 40 1x... Fitting



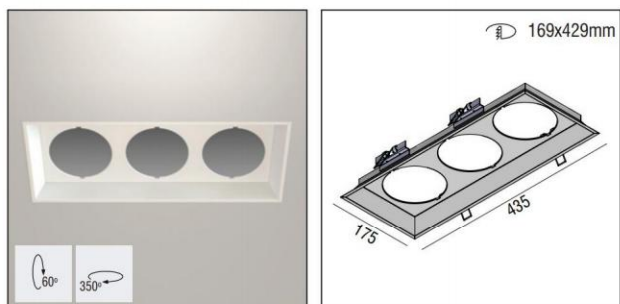
Code	Description	Kg
86866	KADRO 40 1x...	0,220

KADRO 41 2x... Fitting



Code	Description	Kg
86867	KADRO 41 2x...	0,340

KADRO 42 3x... Fitting



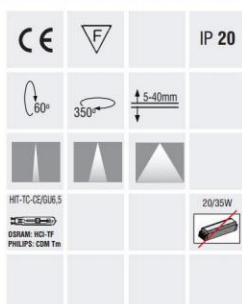
Code	Description	Kg
86868	KADRO 42 3x...	0,500

EXAMPLE

 KADRO 41 2x...		 MODULE 40 HERCULES LED REFLECTOR		 DRIVER 500mA 30W	
<b>CODE</b>	<b>PIECE</b>	<b>CODE</b>	<b>PIECE</b>	<b>CODE</b>	<b>PIECE</b>
86867	1	80603	2	800030	1

KADRO 40+ Module 40 THETIS HIT-TC-CE

Module 40 THETIS HIT-TC-CE



- Version for HIT-TC-CE/GU6,5.
- Reflector: Spot, Medium, Wide.
- Tempered protection glass.

Code	Description	Kg
80601	MODULE 40 THETIS HIT-TC-CE/GU6,5 SPOT	0,250
80646	MODULE 40 THETIS HIT-TC-CE/GU6,5 MEDIUM	0,250
80647	MODULE 40 THETIS HIT-TC-CE/GU6,5 WIDE	0,250



KADRO 40

KADRO 41+ Module 40 HERCULES LED REFLECTOR

Module 40 HERCULES LED REFLECTOR



850°C IP 20  
 60° 350° 5-40mm  

 ta 25°C 350/500mA

- Reflectors: Spot, Medium, Wide.
- 7W power consumption driven at 350mA.
- 10,5W power consumption driven at 500mA.
- Efficiency:
  - 7W: 4000 K: 810 Lumen, CRI: min. 80, 116 Lm/W
  - 7W: 3000 K: 720 Lumen, CRI: min. 80, 103 Lm/W
  - 10,5W: 4000 K: 1140 Lumen, CRI: min. 80, 109 Lm/W
  - 10,5W: 3000 K: 1000 Lumen, CRI: min. 80, 95 Lm/W

Code	Description	Kg
80603	MODULE 40 HERCULES LED REFLECTOR 7/10,5W	0,350



KADRO 42+ Module 40 IASON LED REFLECTOR HO

Module 40 IASON LED REFLECTOR HO

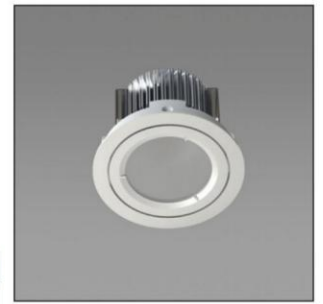


850°C IP 20  
 60° 350° 5-40mm  

 ta 25°C 350/500mA

- Reflectors: Spot, Medium, Wide.
- 7W power consumption driven at 350mA.
- 10,5W power consumption driven at 500mA.
- Efficiency:
  - 7W: 4000 K: 810 Lumen, CRI: min. 80, 116 Lm/W
  - 7W: 3000 K: 720 Lumen, CRI: min. 80, 103 Lm/W
  - 10,5W: 4000 K: 1140 Lumen, CRI: min. 80, 109 Lm/W
  - 10,5W: 3000 K: 1000 Lumen, CRI: min. 80, 95 Lm/W

Code	Description	Kg
80604	MODULE 40 IASON LED REFLECTOR HO 7/10,5W	0,350



LED COLOUR CODES:

2 Warm 3 Neutral

BEAM CODES:

01 spot 02 medium 03 wide

Colour Codes:

0 Colours 1 White 2 Titan 3 Black 4 Chrome 5 matt Alum.

DRIVERS

LED LUMINAIRES DESCRIPTION	N° Modules min. max.	N° Modules min. max.	DIMENSIONS mm	CODE	
MODULE 40 THETIS GU6,5	20W	1 1	20W Electronic	498113	
MODULE 40 THETIS GU6,5	35W	1 1	35W Electronic	498223	
MODULE 40 HERCULES/IASON LED	1x 7W	1 1	350mA 8W IP20	70 x 35 x 21	800020
MODULE 40 HERCULES/IASON LED	2x 7W	1 2	350mA 15W IP20	160 x 22 x 19	800021
MODULE 40 HERCULES/IASON LED	3x 7W	1 3	350mA 25W IP20	123 x 80 x 22	800041
MODULE 40 HERCULES/IASON LED	1x 10,5W	1 1	500mA 12W IP20	120 x 35 x 19	800023
MODULE 40 HERCULES/IASON LED	2x 10,5W	1 2	500mA 30W IP20	160 x 50 x 22	800030
MODULE 40 HERCULES/IASON LED	3x 10,5W	1 3	500mA 32W IP20	123 x 80 x 22	800041

DIMMER DRIVERS

LED LUMINAIRES DESCRIPTION	N° Modules min. max.	N° Modules min. max.	DIMMER TYPE	DIMENSIONS mm	CODE	
MODULE 40 HERCULES/IASON	1x, 2x 7W	1 2	350mA 15W IP20	1-10Vdc/Push Button	145 x 40 x 28	800040
MODULE 40 HERCULES/IASON	3x 7W	1 3	350mA 25W IP20	1-10Vdc/Push Button*	123 x 80 x 22	800043
MODULE 40 HERCULES/IASON	3x 7W	1 3	350mA 25W IP20	1-10Vdc/Push Button/Dali*	123 x 80 x 22	800042
MODULE 40 HERCULES/IASON	1x, 2x 10,5W	1 2	500mA 22W IP20	1-10Vdc/Push Button	145 x 40 x 28	800040
MODULE 40 HERCULES/IASON	3x 10,5W	1 3	500mA 32W IP20	1-10Vdc/Push Button*	123 x 80 x 22	800043
MODULE 40 HERCULES/IASON	3x 10,5W	1 3	500mA 32W IP20	1-10Vdc/Push Button/Dali*	123 x 80 x 22	800042

\* Please order synchronization cable for each dimmer driver separately - Code: 800044 (4m)

KADRO 40

