

GESSI

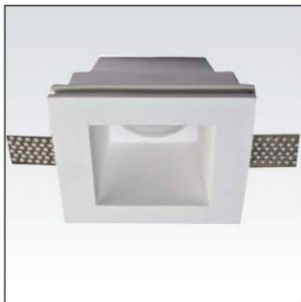
Gessi is a trimless recessed fixed spot, with symmetric or asymmetric distribution. It is made of plaster, which can be painted, so when mounted to the ceiling it completely disappears.

Technical Features

- Trimless body of plaster.
- Symmetrical and asymmetrical versions.
- Square or round shape.
- Easy mounting.

GESSI

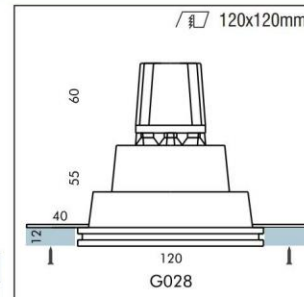
GESSI G028



CE	F	IP 20
		± 12mm
PAR 16	LED	FLUO

- Plaster trimless body.
- Symmetrical square shape.

Code	Description	Kg
881201	GESSI G028 1x50W PAR16 (LED, FLUO) / GU10	0,750



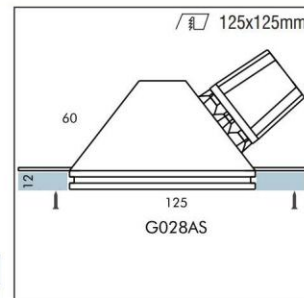
GESSI G028AS



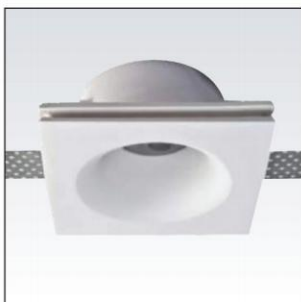
CE	F	IP 20
		± 12mm
PAR 16	LED	FLUO

- Plaster trimless body.
- Asymmetrical square shape.

Code	Description	Kg
881211	GESSI G028AS 1x50W PAR16 (LED, FLUO) / GU10	0,750



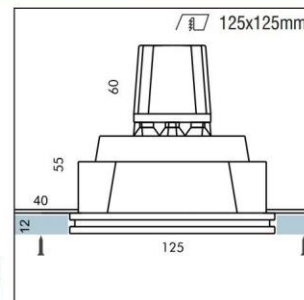
GESSI G111



CE	F	IP 20
		± 12mm
PAR 16	LED	FLUO

- Plaster trimless body.
- Symmetrical round shape.

Code	Description	Kg
881221	GESSI G111 1x50W PAR16 (LED, FLUO) / GU10	0,750



INSTALLATION

