

T500

T500 is the little miracle of everyday life. It is a very flexible solution, because it is available with two height versions (low & high) and it is designed for 1 to 4 lamps or Led modules.

T500 LED is the ideal alternative to halogen lamps, because it has higher energy efficiency and lower consumption, it last longer and there is no need for lamp replacement. Due to it's many advantages it is the perfect choice for applications with long operating hours, e.g. hotels, retail areas, museums, wellness areas etc.

Technical Features

- Aluminium frame, painted electrostatically in selected colour or plated.
- Steel body, painted electrostatically.
- Adjustable aluminium internal ring.
- Easy mounting with clips.

Upon request:

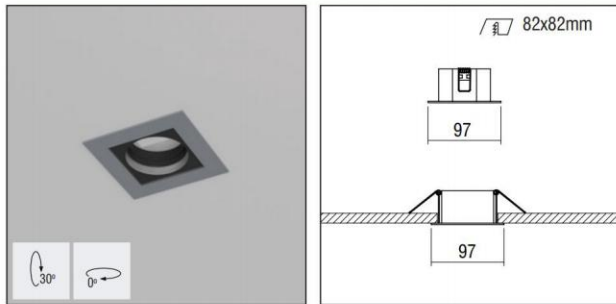
Available with highest colour rendering index (CRI)

For LED Version

- Big range of aluminium reflector, lens, diffusers.
- Pure light without IR/UV radiation.
- 3W up to 7W wattage range and 300 up to 825 luminous flux range.
- Die cast aluminum heatsink anodized.
- Operation life: 50,000 hours with efficiency > 70% of the initial luminous flux.
- Connection for operation with Constant Current.

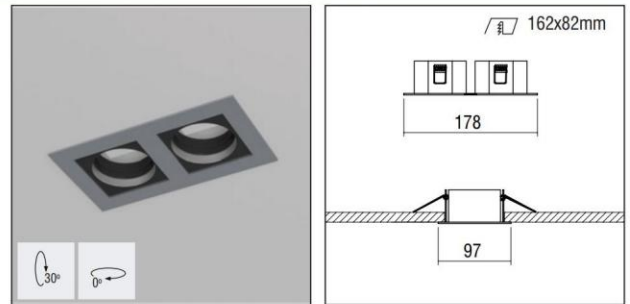
T500

T500 - Low Fitting



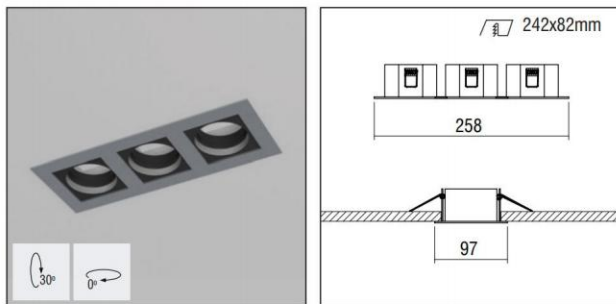
Code	Description	Kg
88552	T500 LOW 1x...	0,200

T510 - Low Fitting



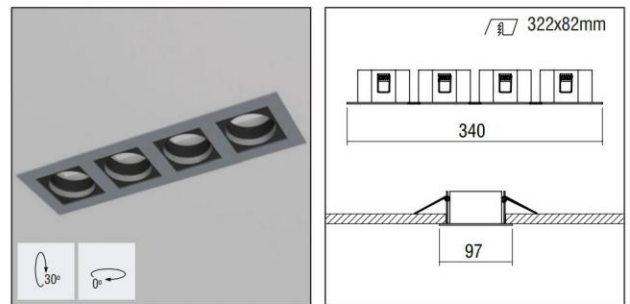
Code	Description	Kg
88554	T510 LOW 2x...	0,400

T520 - Low Fitting



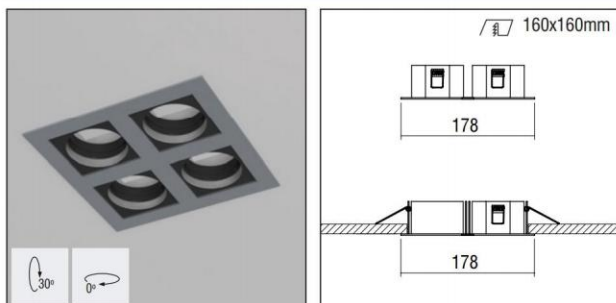
Code	Description	Kg
88556	T520 LOW 3x...	0,600

T530 - Low Fitting



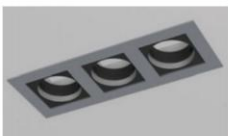


Code	Description	Kg
88558	T530 LOW 4x...	0,800

T540 - Low Fitting



Code	Description	Kg
88560	T540 LOW 4x...	0,800

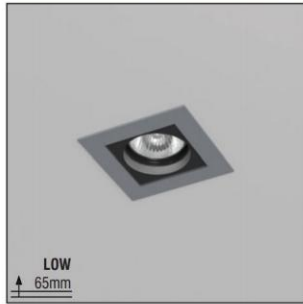
EXAMPLE

 <p>T520 LOW</p>		 <p>MODULE 50 ARTEMIS 5W DIFFUSER PRISMATIC</p>		 <p>DRIVER 500mA 16W</p>	
CODE	PIECE	CODE	PIECE	CODE	PIECE
88556	1	80627	3	800031	1

T500

T500 Low + G5.3

G5.3 LAMPHOLDER + CLIP



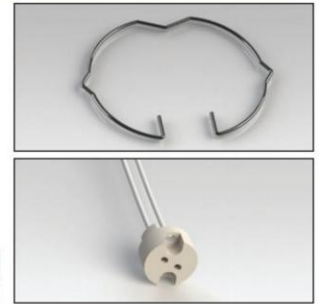
CE F 850°C IP 20

30° 0° 1-30mm

OSRAM DECELAN 51 PHILIPS MASTERLINE

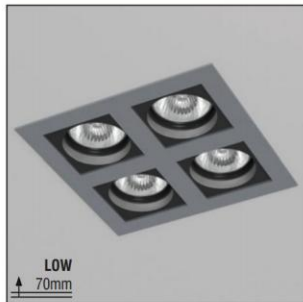
- Simple version for incandescent halogen max.50W 12V (QR-CBC 51).

Code	Description	Kg
806053	Lampholder G5,3 + Safety Lamp Clip	0,020



T540 Low + GU10

GU10 LAMPHOLDER + CLIP



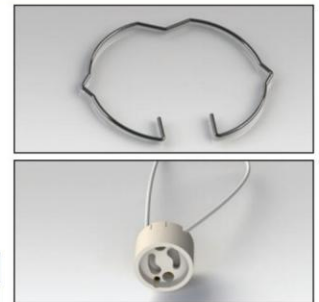
CE F 850°C IP 20

30° 0° 1-30mm

PAR 16 LED FLUO

- Simple version for incandescent halogen max.50W 230V (PAR16).

Code	Description	Kg
806052	Lampholder GU10 + Safety Lamp Clip	0,020



T510 Low + Module 50 IRA Reflector

Module 50 IRA Reflector



CE F 850°C IP 20

0/50° 0° 1-18mm

LED 350/500mA ta 25°C

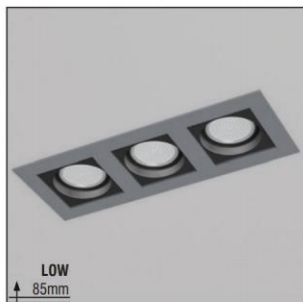
- Reflectors: 7W: Medium - Wide / 5W: Medium
 - 5W power consumption driver at 500mA.
 - 7W power consumption driven at 350mA.
 - Efficiency: 5W: 4000 K: 419 Lumen, CRI: min. 80
 5W: 3000 K: 419 Lumen, CRI: min. 80
 7W: 4000 K: 825 Lumen, CRI: min. 80
 7W: 3000 K: 720 Lumen, CRI: min. 80
 Maximum: 118 Lm/W

Code	Description	Kg
80643	Module 50 IRA 5W Reflector	0,120
80608	Module 50 IRA 7W Reflector	0,120



T520 Low + Module 50 DIMITRA Reflector HO

Module 50 DIMITRA Reflector HO



CE F 850°C IP 40

30° 0° 1-30mm

LED 500mA ta 25°C

- Reflectors: Spot, Medium, Wide.
 - 5W power consumption driven at 500mA.
 - Efficiency:
 5W: 4000 K: 419 Lumen, CRI: min. 80
 5W: 3000 K: 419 Lumen, CRI: min. 80
 Maximum: 84 Lm/W

Code	Description	Kg
80609	Module 50 DIMITRA 5W Reflector HO	0,150



T510 Low+ Module 50 ARTEMIS Diffuser Prismatic

Module 50 ARTEMIS Diffuser Prismatic



CE F 850°C IP 40

30° 0° 1-30mm

D LED 350/500mA ta 25°C

- Beam: Diffuser.
 - 5W power consumption driven at 500mA.
 - 7W power consumption driven at 350mA.
 - Efficiency:
 5W: 4000 K: 419 Lumen, CRI: min. 80
 5W: 3000 K: 419 Lumen, CRI: min. 80
 7W: 4000 K: 825 Lumen, CRI: min. 80
 7W: 3000 K: 720 Lumen, CRI: min. 80
 Maximum: 118 Lm/W

Code	Description	Kg
80625	Module 50 ARTEMIS 5W Diffuser Prismatic	0,150
80626	Module 50 ARTEMIS 7W Diffuser Prismatic	0,150



T500

T520 Low + Module 50 ATHINA Diffuser Opal

Module 50 ATHINA Diffuser Opal



CE	F	850°C	IP 40
30°	0°	1-30mm	
D			
LED	50000h	ta 25°C	350/500mA

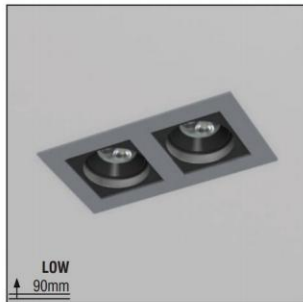
- Beam: Diffuser.
- 5W power consumption driven at 500mA.
- 7W power consumption driven at 350mA.
- Efficiency:
- 5W: 4000 K: 419 Lumen, CRI: min. 80
- 5W: 3000 K: 419 Lumen, CRI: min. 80
- 7W: 4000 K: 825 Lumen, CRI: min. 80
- 7W: 3000 K: 720 Lumen, CRI: min. 80
- Maximum: 118 Lm/W

Code	Description	Kg
80627	Module 50 ATHINA 5W Diffuser Opal	0,150
80628	Module 50 ATHINA 7W Diffuser Opal	0,150



T510 Low + Module 50 VENUS Lens

Module 50 VENUS Lens



CE	F	850°C	IP 40
30°	0°	1-30mm	
LED	50000h	ta 25°C	350/700mA

- Lens: Spot, Medium, Wide.
- 3W power consumption driven at 350mA.
- 6W power consumption driven at 700mA.
- Efficiency:
- 3W: 4000 K: 321 Lumen, CRI: min. 75
- 3W: 3000 K: 300 Lumen, CRI: min. 80
- 6W: 4000 K: 600 Lumen, CRI: min. 75
- 6W: 3000 K: 570 Lumen, CRI: min. 80
- Maximum: 107 Lm/W

Code	Description	Kg
80607	Module 50 VENUS 3W/6W Lens	0,150



CODES	MODULES	DRIVERS						
		350mA 8W	350mA 15W	350mA 25W	500mA 6W	500mA 16W	700mA 14W	700mA 30W
		70x35x21	120x35x19	125x79x22	70x35x21	115x45x27,5	158x21x18	156x50x33
80643	Module 50 IRA Reflector 5W (500mA)	800020	800022	800041	800024	800031	800026	800032
80608	Module 50 IRA Reflector 7W (350mA)	1 module	1 - 2 modules	1 - 3 modules				
80609	Module 50 DIMITRA Reflector HO 5W (500mA)				1 module	2 - 3 modules		
80625	Module 50 ARTEMIS Diffuser Prismatic 5W (500mA)				1 module	2 - 3 modules		
80626	Module 50 ARTEMIS Diffuser Prismatic 7W (350mA)	1 module	1 - 2 modules	1 - 3 modules				
80627	Module 50 ATHINA Diffuser Opal 5W (500mA)				1 module	2 - 3 modules		
80628	Module 50 ATHINA Diffuser Opal 7W (350mA)	1 module	1 - 2 modules	1 - 3 modules				
80607	Module 50 VENUS Lens 3W (350mA)	1 - 2 modules	3 - 4 modules					
80607	Module 50 VENUS Lens 6W (700mA)						1 - 2 modules	3 - 4 modules

CODES	MODULES	DRIVERS DIMMER		
		350mA 15W 500mA 22W 700mA 30W	350mA 25W 500mA 35W 700mA 50W	350mA 25W 500mA 35W 700mA 50W
		145x40x28	125x79x22	125x79x22
		1-10/ Push B.	1-10/ Push B.	1-10/ Push B./Dail
80643	Module 50 IRA Reflector 5W (500mA)	800040	800043*	800042*
80608	Module 50 IRA Reflector 7W (350mA)	3 - 4 modules	2 - 6 modules	2 - 6 modules
80609	Module 50 DIMITRA Reflector HO 5W (500mA)	1 - 2 modules	1 - 3 modules	1 - 3 modules
80625	Module 50 ARTEMIS Diffuser Prismatic 5W (500mA)	3 - 4 modules	2 - 6 modules	2 - 6 modules
80626	Module 50 ARTEMIS Diffuser Prismatic 7W (350mA)	3 - 4 modules	2 - 6 modules	2 - 6 modules
80627	Module 50 ATHINA Diffuser Opal 5W (500mA)	1 - 2 modules	1 - 3 modules	1 - 3 modules
80628	Module 50 ATHINA Diffuser Opal 7W (350mA)	3 - 4 modules	2 - 6 modules	2 - 6 modules
80607	Module 50 VENUS Lens 3W (350mA)	1 - 2 modules	1 - 3 modules	1 - 3 modules
80607	Module 50 VENUS Lens 6W (700mA)	2 - 4 modules	2 - 7 modules	2 - 7 modules
80607	Module 50 VENUS Lens 6W (700mA)	2 - 4 modules	2 - 7 modules	2 - 7 modules

12V TRANSFORMERS		
Modules CODES	MODULES	Transf. CODES
806051	Module 50 G5,3 12V up to 70W	800006
806051	Module 50 G5,3 12V up to 105W	800007

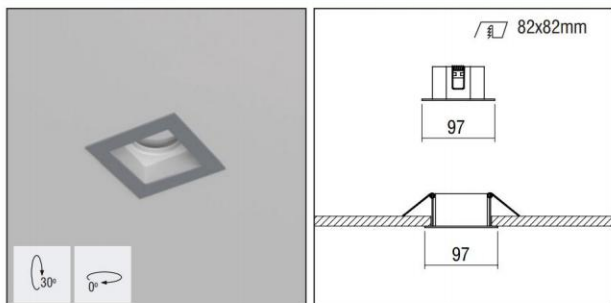
Please order modules and drivers separately

* Please order synchronization cable for each dimmer driver separately - Code: 800044 (4m)

LED COLOUR CODES: 2 Warm 3 Neutral	BEAM CODES: 00 diffuser 01 spot 02 medium 03 wide	Colour Codes: 0 Colours 1 White 2 Titan 3 Black 4 Chrome 5 matt Alum.
--	---	---

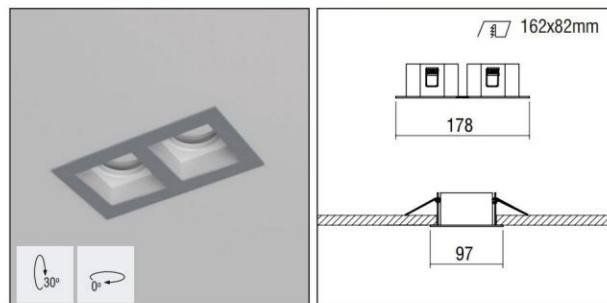
T500

T500 - Fitting



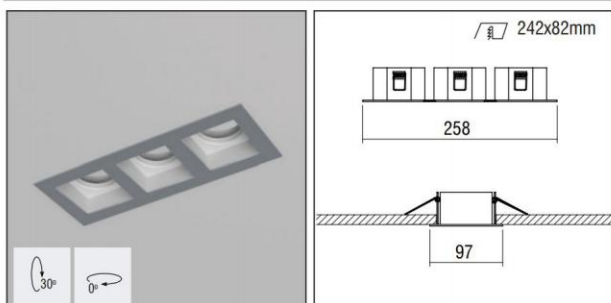
Code	Description	Kg
88551	T500 1x...	0,200

T510 - Fitting



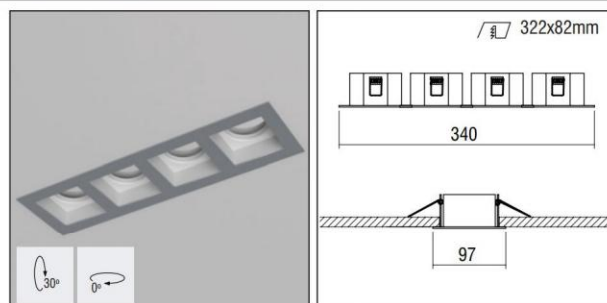
Code	Description	Kg
88553	T510 2x...	0,400

T520 - Fitting



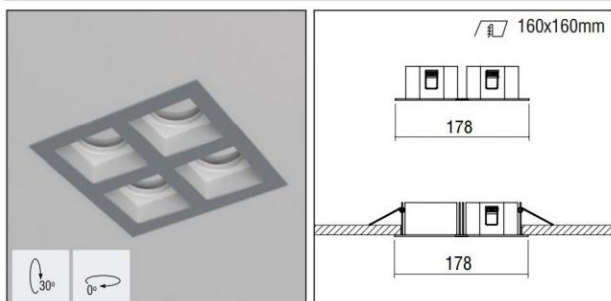
Code	Description	Kg
88555	T520 3x...	0,600

T530 - Fitting



Code	Description	Kg
88557	T530 4x...	0,800

T540 - Fitting

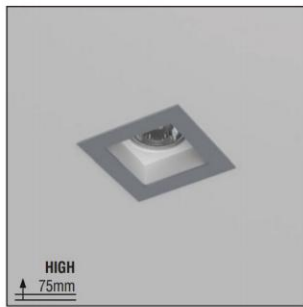


Code	Description	Kg
88559	T540 4x...	0,800

T500

T500 + G5.3

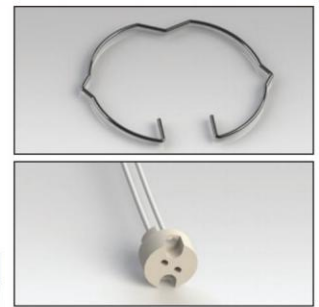
G5.3 LAMPHOLDER + CLIP



CE	F	850°C	IP 20
30°	0°	1-30mm	
OSRAM RECEPTOR BY PHILIPS INDUSTRIAL			

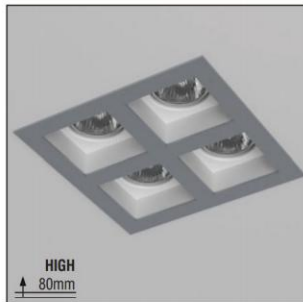
- Simple version for incandescent halogen max.50W 12V (QR-CBC 51).

Code	Description	Kg
806053	Lampholder G5.3 + Safety Lamp Clip	0,020



T540 + GU10

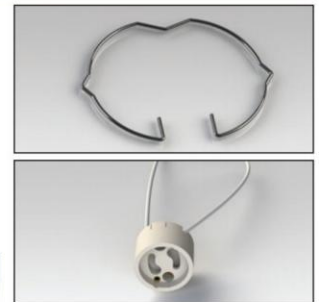
GU10 LAMPHOLDER + CLIP



CE	F	850°C	IP 20
30°	0°	1-30mm	
PAR 16	LED	FLUO	

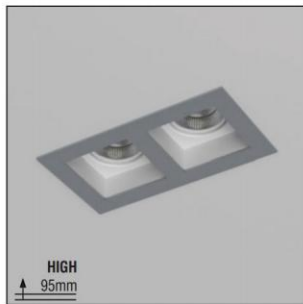
- Simple version for incandescent halogen max.50W 230V (PAR16).

Code	Description	Kg
806052	Lampholder GU10 + Safety Lamp Clip	0,020



T510 + Module 50 IRA 2 Reflector

Module 50 IRA 2 Reflector



CE	F	850°C	IP 20
30°	0°	1-30mm	
LED	350/500mA	ta 25°C	

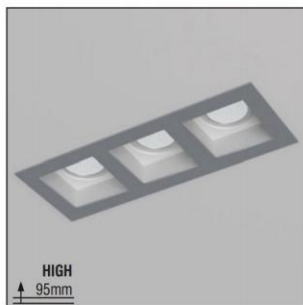
- Reflectors: 7W: Medium - Wide / 5W: Medium
 - 5W power consumption driver at 500mA.
 - 7W power consumption driven at 350mA.
 - Efficiency: 5W: 4000 K: 419 Lumen, CRI: min. 80
 5W: 3000 K: 419 Lumen, CRI: min. 80
 7W: 4000 K: 825 Lumen, CRI: min. 80
 7W: 3000 K: 720 Lumen, CRI: min. 80
 Maximum: 118 Lm/W

Code	Description	Kg
80644	Module 50 IRA 2 5W Reflector	0,120
80629	Module 50 IRA 2 7W Reflector	0,120



T520 + Module 50 DIMITRA 2 Reflector HO

Module 50 DIMITRA 2 Reflector HO



CE	F	850°C	IP 40
30°	0°	1-30mm	
LED	500mA	ta 25°C	

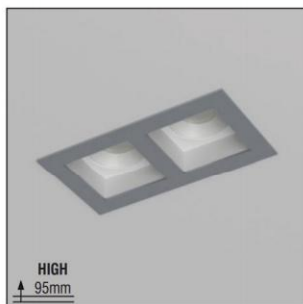
- Reflectors: Spot, Medium, Wide.
 - 5W power consumption driven at 500mA.
 - Efficiency:
 5W: 4000 K: 419 Lumen, CRI: min. 80
 5W: 3000 K: 419 Lumen, CRI: min. 80
 Maximum: 84 Lm/W

Code	Description	Kg
80630	Module 50 DIMITRA 2 5W Reflector HO	0,150



T510 + Module 50 ARTEMIS 2 Diffuser Prismatic

Module 50 ARTEMIS 2 Diffuser Prismatic



CE	F	850°C	IP 40
30°	0°	1-30mm	
LED	350/500mA	ta 25°C	

- Beam: Diffuser.
 - 5W power consumption driven at 500mA.
 - 7W power consumption driven at 350mA.
 - Efficiency:
 5W: 4000 K: 419 Lumen, CRI: min. 80
 5W: 3000 K: 419 Lumen, CRI: min. 80
 7W: 4000 K: 825 Lumen, CRI: min. 80
 7W: 3000 K: 720 Lumen, CRI: min. 80
 Maximum: 118 Lm/W

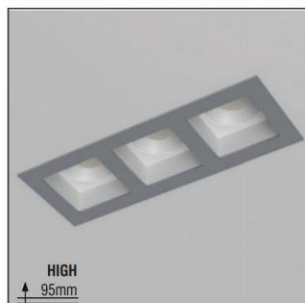
Code	Description	Kg
80631	Module 50 ARTEMIS 2 5W Diffuser Prismatic	0,150
80632	Module 50 ARTEMIS 2 7W Diffuser Prismatic	0,150



T500

T520 + Module 50 ATHINA 2 Diffuser Opal

Module 50 ATHINA 2 Diffuser Opal



CE, F, 850°C, IP 40

30° beam angle, 0° rotation, 1-30mm depth

LED, 350/500mA, ta 25°C

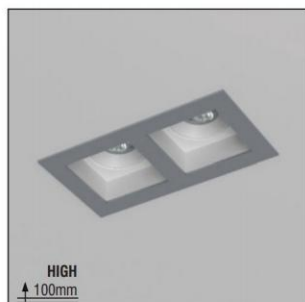
- Beam: Diffuser.
- 5W power consumption driven at 500mA.
- 7W power consumption driven at 350mA.
- Efficiency:
 - 5W: 4000 K: 419 Lumen, CRI: min. 80
 - 5W: 3000 K: 419 Lumen, CRI: min. 80
 - 7W: 4000 K: 825 Lumen, CRI: min. 80
 - 7W: 3000 K: 720 Lumen, CRI: min. 80
- Maximum: 118 Lm/W

Code	Description	Kg
80633	Module 50 ATHINA 2 5W Diffuser Opal	0,150
80634	Module 50 ATHINA 2 7W Diffuser Opal	0,150



T510 + Module 50 VENUS 2 Lens

Module 50 VENUS 2 Lens



CE, F, 850°C, IP 40

30° beam angle, 0° rotation, 1-30mm depth

LED, 350/700mA, ta 25°C

- Lens: Spot, Medium, Wide.
- 3W power consumption driven at 350mA.
- 6W power consumption driven at 700mA.
- Efficiency:
 - 3W: 4000 K: 321 Lumen, CRI: min. 75
 - 3W: 3000 K: 300 Lumen, CRI: min. 80
 - 6W: 4000 K: 600 Lumen, CRI: min. 75
 - 6W: 3000 K: 570 Lumen, CRI: min. 80
- Maximum: 107 Lm/W

Code	Description	Kg
80635	Module 50 VENUS 2 3W/6W Lens	0,150



LED COLOUR CODES:
2 Warm 3 Neutral

BEAM CODES:
00 diffuser 01 spot 02 medium 03 wide

Colour Codes:
0 Colours 1 White 2 Titan 3 Black 4 Chrome 5 matt Alum.

CODES	MODULES	DRIVERS						
		350mA 8W	350mA 15W	350mA 25W	500mA 6W	500mA 16W	700mA 14W	700mA 30W
		70x35x21	120x35x19	125x79x22	70x35x21	115x45x27,5	158x21x18	156x50x33
80644	Module 50 IRA 2 Reflector 5W (500mA)	800020	800022	800041	800024	800031	800026	800032
80629	Module 50 IRA 2 Reflector 7W (350mA)	1 module	1 - 2 modules	1 - 3 modules				
80630	Module 50 DIMITRA 2 Reflector HO 5W (500mA)				1 module	2 - 3 modules		
80631	Module 50 ARTEMIS 2 Diffuser Prismatic 5W (500mA)				1 module	2 - 3 modules		
80632	Module 50 ARTEMIS 2 Diffuser Prismatic 7W (350mA)	1 module	1 - 2 modules	1 - 3 modules				
80633	Module 50 ATHINA 2 Diffuser Opal 5W (500mA)				1 module	2 - 3 modules		
80634	Module 50 ATHINA 2 Diffuser Opal 7W (350mA)	1 module	1 - 2 modules	1 - 3 modules				
80635	Module 50 VENUS 2 Lens 3W (350mA)	1 - 2 modules	3 - 4 modules					
80635	Module 50 VENUS 2 Lens 6W (700mA)						1 - 2 modules	3 - 4 modules

CODES	MODULES	DRIVERS DIMMER		
		350mA 15W 500mA 22W 700mA 30W	350mA 25W 500mA 35W 700mA 50W	350mA 25W 500mA 35W 700mA 50W
		145x40x28	125x79x22	125x79x22
		1-10/Push B.	1-10/Push B.	1-10/Push B./Dall
80644	Module 50 IRA 2 Reflector 5W (500mA)	800040	800043*	800042*
80629	Module 50 IRA 2 Reflector 7W (350mA)	3 - 4 modules	2 - 6 modules	2 - 6 modules
80630	Module 50 DIMITRA 2 Reflector HO 5W (500mA)	1 - 2 modules	1 - 3 modules	1 - 3 modules
80631	Module 50 ARTEMIS 2 Diffuser Prismatic 5W (500mA)	3 - 4 modules	2 - 6 modules	2 - 6 modules
80632	Module 50 ARTEMIS 2 Diffuser Prismatic 7W (350mA)	3 - 4 modules	2 - 6 modules	2 - 6 modules
80633	Module 50 ATHINA 2 Diffuser Opal 5W (500mA)	1 - 2 modules	1 - 3 modules	1 - 3 modules
80634	Module 50 ATHINA 2 Diffuser Opal 7W (350mA)	2 - 4 modules	2 - 7 modules	2 - 7 modules
80635	Module 50 VENUS 2 Lens 3W (350mA)	2 - 4 modules	2 - 7 modules	2 - 7 modules
80635	Module 50 VENUS 2 Lens 6W (700mA)	2 - 4 modules	2 - 7 modules	2 - 7 modules

Modules CODES	MODULES	12V TRANSFORMERS
		Transf. CODES
806053	Module 50 G5,3 12V up to 70W	800006
806053	Module 50 G5,3 12V up to 105W	800007

Please order modules and drivers separately

* Please order synchronization cable for each dimmer driver separately - Code: 800044 (4m)

T500

