

	PAGE
■ SKY .....	36
■ FLASH 1 .....	38
■ FLASH 2 .....	40
■ T500 .....	44
■ MICROQUADRO .....	52
■ AXIO - QUADRO 89 - SCUBA .....	56
■ CORONA - CORONA Q .....	58
■ KADRO 50 .....	62
■ T7600 .....	66
■ SOL 1 MINI - SOL 1Q MINI .....	72
■ GESSI .....	76
■ KADRO, CORONA, SOL with CLUB Mini LED .....	78
■ FLAT 40 .....	82
■ FLAT 60 .....	86
■ FLAT KADRO 40 .....	90
■ FLAT KADRO 60 .....	94
■ KADRO 40 .....	98
■ KADRO 60 .....	102
■ T8400 .....	108
■ T800 .....	112
■ T8400 KADRO .....	116
■ T800 KADRO .....	120
■ SOL 1 - SOL 1Q .....	124
■ T7400 .....	130
■ T700 .....	134
■ T7400 KADRO .....	138
■ T700 KADRO .....	142
■ TEO MINI .....	146
■ LUNA 175 Adjustable .....	150
■ SOL 2 .....	154
■ CREA 1 .....	158
■ CREA 2 .....	160
■ P500 .....	162
■ ERIS .....	164
■ NANO .....	170
■ ROLLER .....	174

## SKY



Sky is a small and minimal recessed luminaire, square or round, which is ideal for decorative lighting.

## Technical Features

- Body from aluminium profile.
- Cover from methacrylate PMMA, 3mm or 8mm in round or square shape.
- Easy mounting with clips.
- Pure light without IR/UV radiation.
- Operation life: 50,000 hours with efficiency > 70% of the initial luminous flux.
- Connection for operation with Constant Voltage 12V DC.

**Upon request:**

Available with highest colour rendering index (CRI)

SKY

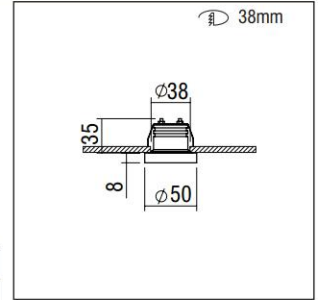
SKY R8



CE	F	IP 54
0°	0°	min. 12mm
LED	5 YEARS WARRANTY	ta 25°C
		12VDC

- Aluminium body.
- Cover from methacrylate PMMA, 8mm in round shape.

Code	Description	Kg
88077	SKY R8 2,6W	0,080



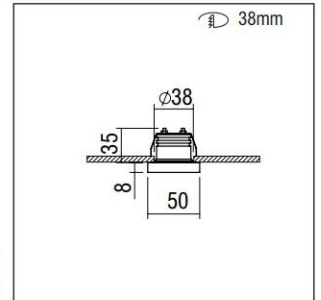
SKY S8



CE	F	IP 54
0°	0°	min. 12mm
LED	5 YEARS WARRANTY	ta 25°C
		12VDC

- Aluminium body.
- Cover from methacrylate PMMA, 8mm in square shape.

Code	Description	Kg
88075	SKY S8 2,6W	0,080



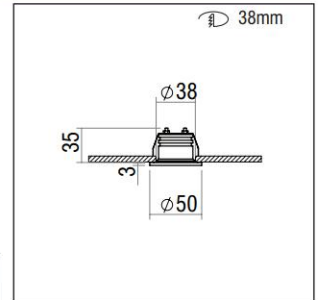
SKY R3



CE	F	IP 54
0°	0°	min. 12mm
LED	5 YEARS WARRANTY	ta 25°C
		12VDC

- Aluminium body.
- Cover from methacrylate PMMA, 3mm in round shape.

Code	Description	Kg
88076	SKY R3 2,6W	0,070



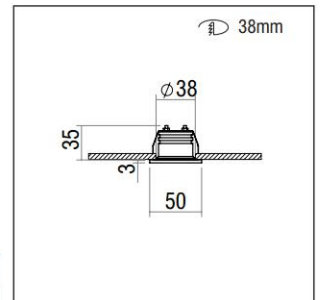
SKY S3



CE	F	IP 54
0°	0°	min. 12mm
LED	5 YEARS WARRANTY	ta 25°C
		12VDC

- Aluminium body.
- Cover from methacrylate PMMA, 3mm in square shape.

Code	Description	Kg
88010	SKY S3 2,6W	0,070



LED Colour Codes:

- 1 Cold 2 Warm 3 Neutral 4 Blue 5 Yellow 6 Red 7 Green

DIMMER						CODE	
LED LUMINAIRES DESCRIPTION	N° Luminaires	DIMENSIONS mm					
	min. max.						
SKY (CONSTANT VOLTAGE)	2,6W	1	4	12V DC 13W IP20	160 x 22 x 19	800060	

**FLASH 1**

Flash 1 is a highly innovative recessed spot, with or without rotation. It is ideal for smooth ambient lighting or accent lighting inside display cabinets. The last generation LED chip ensures excellent performance with maximum energy efficiency. This, in combination with an efficient thermal management, makes Flash 1 a warranty for premium lighting with LED technology.

**Technical Features**

- Aluminium body, painted electrostatically in selected colour or plated.
- For adjustable edition aluminium internal ring.
- Easy mounting with clips.
- Reflector or lens selection.
- Pure light without IR/UV radiation.
- 1W and 2W wattage editions.
- Die cast aluminum heatsink anodized.
- Operation life: 50,000 hours with efficiency > 70% of the initial luminous flux.
- Connection for operation with Constant Current.

**Upon request:**

Available with highest colour rendering index (CRI)

FLASH 1

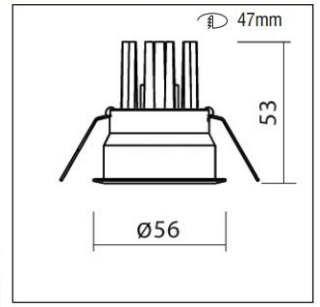
FLASH 1 Fixed - Lens



850°C IP 20  
 ta 25°C

- Beams: Spot, Medium, Wide.
- 1W power consumption driven at 350mA.
- 2W power consumption driven at 700mA.
- Efficiency:
- 1W: 4000 K: 107 Lumen, CRI: min. 75
- 1W: 3000 K: 100 Lumen, CRI: min. 80
- 2W: 4000 K: 200 Lumen, CRI: min. 75
- 2W: 3000 K: 185 Lumen, CRI: min. 80
- Maximum: 107 Lm/W

Code	Description	Kg
88132	FLASH 1 Fixed Lens 1/2W	0,110



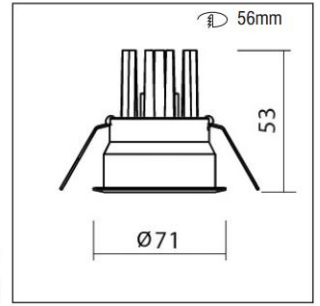
FLASH 1 Adjustable - Lens



850°C IP 20  
 ta 25°C

- Beams: Spot, Medium, Wide.
- 1W power consumption driven at 350mA.
- 2W power consumption driven at 700mA.
- Efficiency:
- 1W: 4000 K: 107 Lumen, CRI: min. 75
- 1W: 3000 K: 100 Lumen, CRI: min. 80
- 2W: 4000 K: 200 Lumen, CRI: min. 75
- 2W: 3000 K: 185 Lumen, CRI: min. 80
- Maximum: 107 Lm/W

Code	Description	Kg
88133	FLASH 1 Adjustable Lens 1/2W	0,120



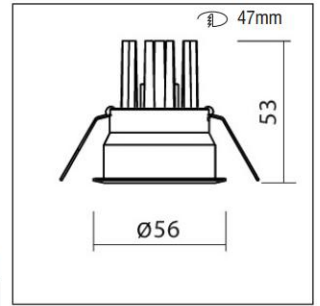
FLASH 1 Fixed - Reflector



850°C IP 20  
 ta 25°C

- Reflectors: Spot.
- 1W power consumption driven at 350mA.
- 2W power consumption driven at 700mA.
- Efficiency:
- 1W: 4000 K: 107 Lumen, CRI: min. 75
- 1W: 3000 K: 100 Lumen, CRI: min. 80
- 2W: 4000 K: 200 Lumen, CRI: min. 75
- 2W: 3000 K: 185 Lumen, CRI: min. 80
- Maximum: 107 Lm/W

Code	Description	Kg
88130	FLASH 1 Fixed Reflector 1/2W	0,110



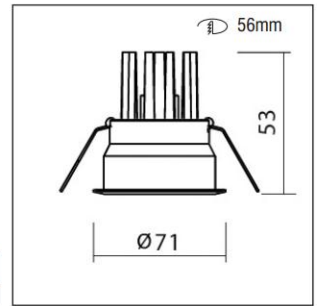
FLASH 1 Adjustable - Reflector



850°C IP 20  
 ta 25°C

- Reflectors: Spot.
- 1W power consumption driven at 350mA.
- 2W power consumption driven at 700mA.
- Efficiency:
- 1W: 4000 K: 107 Lumen, CRI: min. 75
- 1W: 3000 K: 100 Lumen, CRI: min. 80
- 2W: 4000 K: 200 Lumen, CRI: min. 75
- 2W: 3000 K: 185 Lumen, CRI: min. 80
- Maximum: 107 Lm/W

Code	Description	Kg
88131	FLASH 1 Adjustable Reflector 1/2W	0,120



LED COLOUR CODES:

2 Warm 3 Neutral

BEAM CODES:

10 spot 30 medium 45 wide

Colour Codes:

0 Colours 1 White 2 Titan 3 Black 4 Chrome 5 matt Alum.

DRIVERS						
LED LUMINAIRES DESCRIPTION	N° Luminaires		DIMENSIONS mm			
	min.	max.				CODE
FLASH 1 (CONSTANT CURRENT) 1W	1	4	350mA 6W	IP20	70 x 35 x 21	800020
FLASH 1 (CONSTANT CURRENT) 1W	5	12	350mA 15W	IP20	120 x 35 x 19	800022
FLASH 1 (CONSTANT CURRENT) 2W	1	2	700mA 6W	IP20	70 x 35 x 21	800076
FLASH 1 (CONSTANT CURRENT) 2W	3	5	700mA 14W	IP20	160 x 22 x 19	800026

DIMMER DRIVERS						
LED LUMINAIRES DESCRIPTION	N° Luminaires		DIMMER TYPE	DIMENSIONS mm		
	min.	max.				CODE
FLASH 1 (CONSTANT CURRENT) 1W	3	10	350mA 15W	IP20	1-10Vdc/Push Button	145 x 40 x 28
FLASH 1 (CONSTANT CURRENT) 2W	3	10	700mA 30W	IP20	1-10Vdc/Push Button	145 x 40 x 28

**FLASH 2**

Flash 2 is a highly innovative recessed spot, with or without rotation. It can satisfy multiple lighting requirements thanks to its wide variety of modules, which makes it a perfect choice for houses, galleries, museums and retail areas.

A LED version is also available and it is guaranteed by the use of last generation light sources which ensure excellent performance with maximum energy efficiency. This, in combination with an efficient thermal management, makes Flash 2 a warranty for premium lighting with LED technology.

**Technical Features**

- Aluminium body, painted electrostatically in selected colour or plated.
- For adjustable edition aluminium internal ring.
- Easy mounting with clips.

**Upon request:**

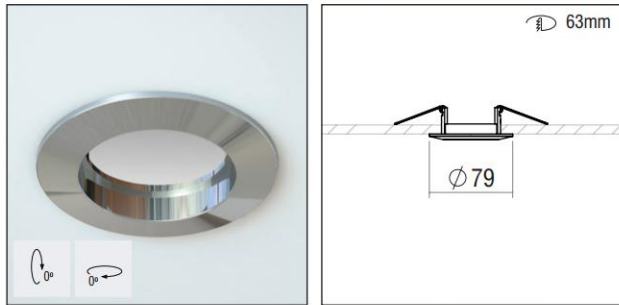
Available with highest colour rendering index (CRI)

**For LED Version**

- Big range of aluminium reflector, lens, diffusers.
- Pure light without IR/UV radiation.
- 3W up to 7W wattage range and 300 up to 825 luminous flux range.
- Die cast aluminum heatsink anodized.
- Operation life: 50,000 hours with efficiency > 70% of the initial luminous flux.
- Connection for operation with Constant Current.

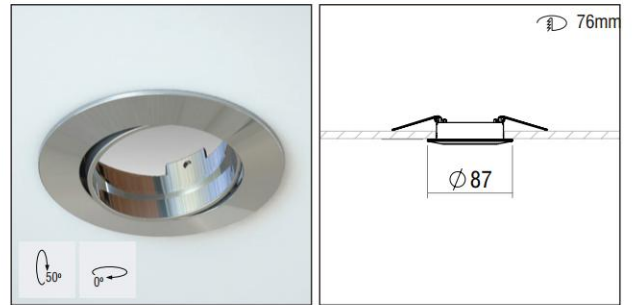
FLASH 2

FLASH 2 - Fixed Fitting



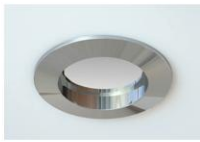


Code	Description	Kg
88140	FLASH 2 Fixed	0,100

FLASH 2 - Adjustable Fitting



Code	Description	Kg
88141	FLASH 2 Adjustable	0,100

EXAMPLE

	FLASH 2 FIXED		Module 50 IRA 7W Reflector		DRIVER 350mA 8W
<b>CODE</b>	<b>PIECE</b>	<b>CODE</b>	<b>PIECE</b>	<b>CODE</b>	<b>PIECE</b>
88140	1	80608	1	800020	1

FLASH 2 + G5.3

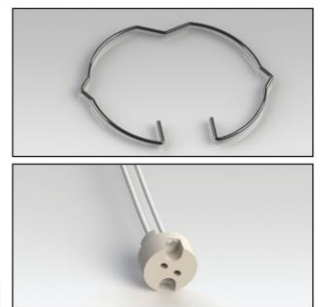


CE	F	850°C	IP 20
0/50°	0/50°	1-16mm	
OSRAM DECOSTAR S1 PHILIPS MASTERLINE			

- Simple version for incandescent halogen max.50W 12V (QR-CBC 51).

Code	Description	Kg
806051	Lampholder G5,3 + Safety Lamp Clip	0,020

G5.3 LAMPHOLDER + CLIP



FLASH 2 + GU10

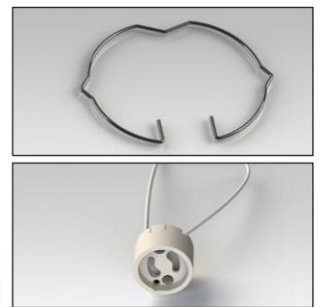


CE	F	850°C	IP 20
0/50°	0/50°	1-16mm	
PAR 16 LED FLUO			

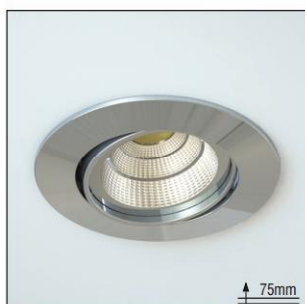
- Simple version for incandescent halogen max.50W 230V (PAR16).

Code	Description	Kg
806050	Lampholder GU10 + Safety Lamp Clip	0,020

GU10 LAMPHOLDER + CLIP



FLASH 2 + Module 50 IRA Reflector



CE	F	850°C	IP 20
0/50°	0/50°	1-16mm	
LED	350/500mA	ta 25°C	

- Reflectors: 7W: Medium - Wide / 5W: Medium  
 - 5W power consumption driver at 500mA.  
 - 7W power consumption driven at 350mA.  
 - Efficiency: 5W: 4000 K: 419 Lumen, CRI: min. 80  
 5W: 3000 K: 419 Lumen, CRI: min. 80  
 7W: 4000 K: 825 Lumen, CRI: min. 80  
 7W: 3000 K: 720 Lumen, CRI: min. 80  
 Maximum: 118 Lm/W

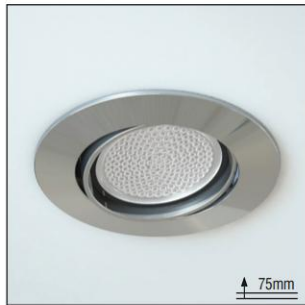
Code	Description	Kg
80643	Module 50 IRA 5W Reflector	0,120
80608	Module 50 IRA 7W Reflector	0,120



FLASH 2

FLASH 2 + Module 50 DIMITRA Reflector HO

Module 50 DIMITRA Reflector HO



CE	F	850°C	IP 40
0/50°	0°	1-16mm	
LED	5 YEAR WARRANTY	ta 25°C	500mA

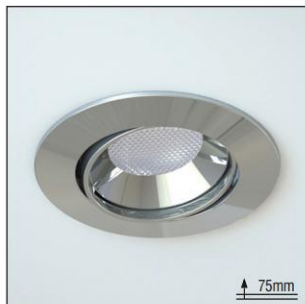
- Reflectors: Spot, Medium, Wide.
- 5W power consumption driven at 500mA.
- Efficiency:
- 5W: 4000 K: 419 Lumen, CRI: min. 80
- 5W: 3000 K: 419 Lumen, CRI: min. 80
- Maximum: 84 Lm/W

Code	Description	Kg
80609	Module 50 DIMITRA 5W Reflector HO	0,150



FLASH 2 + Module 50 ARTEMIS Diffuser Prismatic

Module 50 ARTEMIS Diffuser Prismatic



CE	F	850°C	IP 40
0/50°	0°	1-16mm	
LED	5 YEAR WARRANTY	ta 25°C	350/500mA

- Beam: Diffuser.
- 5W power consumption driven at 500mA.
- 7W power consumption driven at 350mA.
- Efficiency:
- 5W: 4000 K: 419 Lumen, CRI: min. 80
- 5W: 3000 K: 419 Lumen, CRI: min. 80
- 7W: 4000 K: 825 Lumen, CRI: min. 80
- 7W: 3000 K: 720 Lumen, CRI: min. 80
- Maximum: 118 Lm/W

Code	Description	Kg
80625	Module 50 ARTEMIS 5W Diffuser Prismatic	0,150
80626	Module 50 ARTEMIS 7W Diffuser Prismatic	0,150



FLASH 2 + Module 50 ATHINA Diffuser Opal

Module 50 ATHINA Diffuser Opal



CE	F	850°C	IP 40
0/50°	0°	1-16mm	
LED	5 YEAR WARRANTY	ta 25°C	350/500mA

- Beam: Diffuser.
- 5W power consumption driven at 500mA.
- 7W power consumption driven at 350mA.
- Efficiency:
- 5W: 4000 K: 419 Lumen, CRI: min. 80
- 5W: 3000 K: 419 Lumen, CRI: min. 80
- 7W: 4000 K: 825 Lumen, CRI: min. 80
- 7W: 3000 K: 720 Lumen, CRI: min. 80
- Maximum: 118 Lm/W

Code	Description	Kg
80627	Module 50 ATHINA 5W Diffuser Opal	0,150
80628	Module 50 ATHINA 7W Diffuser Opal	0,150



FLASH 2 + Module 50 VENUS Lens

Module 50 VENUS Lens



CE	F	850°C	IP 40
0/50°	0°	1-16mm	
LED	5 YEAR WARRANTY	ta 25°C	350/700mA

- Lens: Spot, Medium, Wide.
- 3W power consumption driven at 350mA.
- 6W power consumption driven at 700mA.
- Efficiency:
- 3W: 4000 K: 321 Lumen, CRI: min. 75
- 3W: 3000 K: 300 Lumen, CRI: min. 80
- 6W: 4000 K: 600 Lumen, CRI: min. 75
- 6W: 3000 K: 570 Lumen, CRI: min. 80
- Maximum: 107 Lm/W

Code	Description	Kg
80607	Module 50 VENUS 3W/6W Lens	0,150



LED COLOUR CODES:

2 Warm 3 Neutral

BEAM CODES:

00 diffuser 01 spot 02 medium 03 wide

Colour Codes:

0 Colours 1 White 2 Titan 3 Black 4 Chrome 5 matt Alum.



FLASH 2

CODES	MODULES	DRIVERS						
		350mA 8W	350mA 15W	350mA 25W	500mA 6W	500mA 16W	700mA 14W	700mA 30W
		70x35x21	120x35x19	125x79x22	70x35x21	115x45x27,5	158x21x18	156x50x33
		800020	800022	800041	800024	800031	800026	800032
80643	Module 50 IRA Reflector 5W (500mA)				1 module	2 - 3 modules		
80608	Module 50 IRA Reflector 7W (350mA)	1 module	1 - 2 modules	1 - 3 modules				
80609	Module 50 DIMITRA Reflector HO 5W (500mA)				1 module	2 - 3 modules		
80625	Module 50 ARTEMIS Diffuser Prismatic 5W (500mA)				1 module	2 - 3 modules		
80626	Module 50 ARTEMIS Diffuser Prismatic 7W (350mA)	1 module	1 - 2 modules	1 - 3 modules				
80627	Module 50 ATHINA Diffuser Opal 5W (500mA)				1 module	2 - 3 modules		
80628	Module 50 ATHINA Diffuser Opal 7W (350mA)	1 module	1 - 2 modules	1 - 3 modules				
80607	Module 50 VENUS Lens 3W (350mA)	1 - 2 modules	3 - 4 modules					
80607	Module 50 VENUS Lens 6W (700mA)						1 - 2 modules	3 - 4 modules

DRIVERS DIMMER		
350mA 15W 500mA 22W 700mA 30W	350mA 25W 500mA 35W 700mA 50W	350mA 25W 500mA 35W 700mA 50W
145x40x28	125x79x22	125x79x22
1-10/ Push B.	1-10/ Push B.	1-10/ Push B./Dali

12V TRANSFORMERS		
Modules CODES	MODULES	Transf. CODES
806051	Module 50 G5,3 12V up to 70W	800006
806051	Module 50 G5,3 12V up to 105W	800007

CODES	MODULES	800040	800043*	800042*
80643	Module 50 IRA Reflector 5W (500mA)	3 - 4 modules	2 - 6 modules	2 - 6 modules
80608	Module 50 IRA Reflector 7W (350mA)	1 - 2 modules	1 - 3 modules	1 - 3 modules
80609	Module 50 DIMITRA Reflector HO 5W (500mA)	3 - 4 modules	2 - 6 modules	2 - 6 modules
80625	Module 50 ARTEMIS Diffuser Prismatic 5W (500mA)	3 - 4 modules	2 - 6 modules	2 - 6 modules
80626	Module 50 ARTEMIS Diffuser Prismatic 7W (350mA)	1 - 2 modules	1 - 3 modules	1 - 3 modules
80627	Module 50 ATHINA Diffuser Opal 5W (500mA)	3 - 4 modules	2 - 6 modules	2 - 6 modules
80628	Module 50 ATHINA Diffuser Opal 7W (350mA)	1 - 2 modules	1 - 3 modules	1 - 3 modules
80607	Module 50 VENUS Lens 3W (350mA)	2 - 4 modules	2 - 7 modules	2 - 7 modules
80607	Module 50 VENUS Lens 6W (700mA)	2 - 4 modules	2 - 7 modules	2 - 7 modules

Please order modules and drivers separately

\* Please order synchronization cable for each dimmer driver separately - Code: 800044 (4m)

**T500**

T500 is the little miracle of everyday life. It is a very flexible solution, because it is available with two height versions (low & high) and it is designed for 1 to 4 lamps or Led modules.

T500 LED is the ideal alternative to halogen lamps, because it has higher energy efficiency and lower consumption, it last longer and there is no need for lamp replacement. Due to it's many advantages it is the perfect choice for applications with long operating hours, e.g. hotels, retail areas, museums, wellness areas etc.

**Technical Features**

- Aluminium frame, painted electrostatically in selected colour or plated.
- Steel body, painted electrostatically.
- Adjustable aluminium internal ring.
- Easy mounting with clips.

**Upon request:**

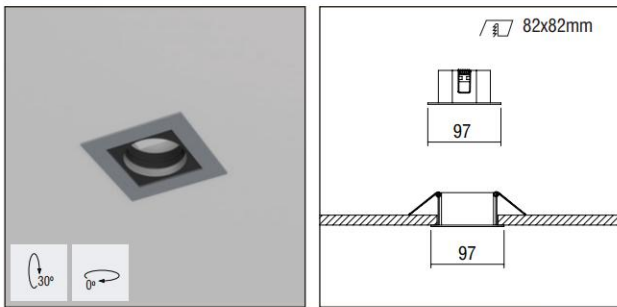
Available with highest colour rendering index (CRI)

**For LED Version**

- Big range of aluminium reflector, lens, diffusers.
- Pure light without IR/UV radiation.
- 3W up to 7W wattage range and 300 up to 825 luminous flux range.
- Die cast aluminum heatsink anodized.
- Operation life: 50,000 hours with efficiency > 70% of the initial luminous flux.
- Connection for operation with Constant Current.

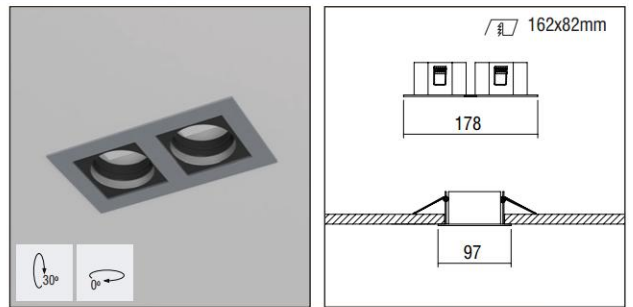
T500

T500 - Low Fitting



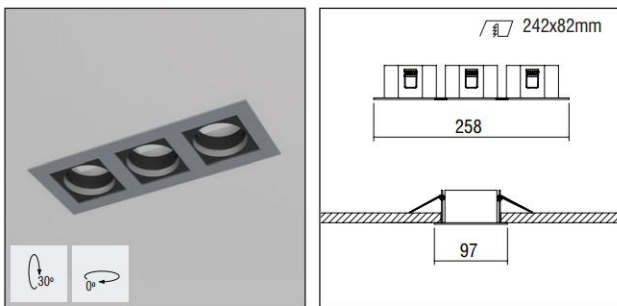
Code	Description	Kg
88552	T500 LOW 1x...	0,200

T510 - Low Fitting



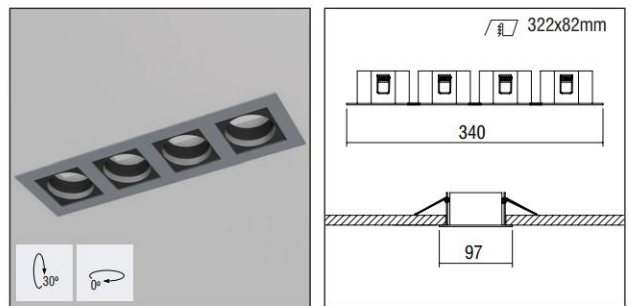
Code	Description	Kg
88554	T510 LOW 2x...	0,400

T520 - Low Fitting



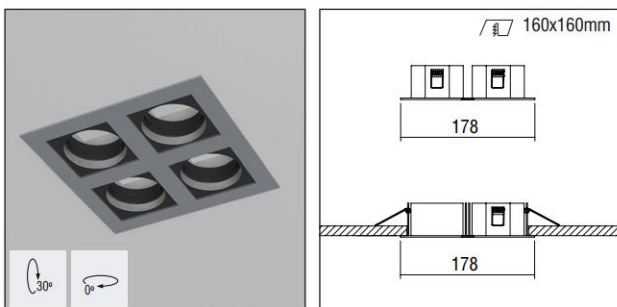
Code	Description	Kg
88556	T520 LOW 3x...	0,600

T530 - Low Fitting



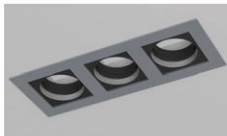


Code	Description	Kg
88558	T530 LOW 4x...	0,800

T540 - Low Fitting



Code	Description	Kg
88560	T540 LOW 4x...	0,800

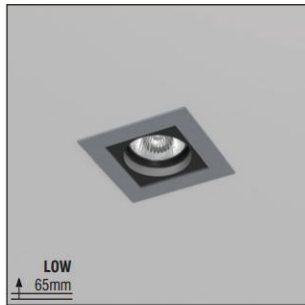
EXAMPLE

 <p>T520 LOW</p>		 <p>MODULE 50 ARTEMIS 5W DIFFUSER PRISMATIC</p>		 <p>DRIVER 500mA 16W</p>	
<b>CODE</b>	<b>PIECE</b>	<b>CODE</b>	<b>PIECE</b>	<b>CODE</b>	<b>PIECE</b>
88556	1	80627	3	800031	1

T500

T500 Low + G5.3

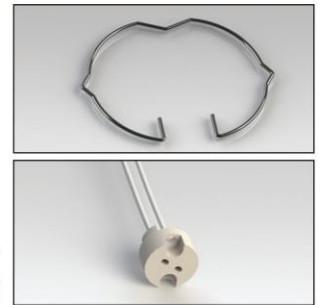
G5.3 LAMPHOLDER + CLIP



CE	F	850°C	IP 20
30°	0°	1-30mm	
OSRAM RECEPTEUR S1 PHILIPS MASTERLINE			

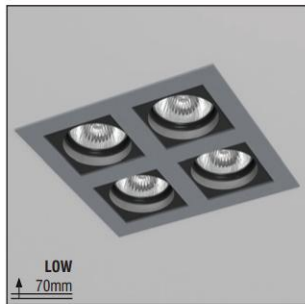
- Simple version for incandescent halogen max.50W 12V (QR-CBC 51).

Code	Description	Kg
806053	Lampholder G5,3 + Safety Lamp Clip	0,020



T540 Low + GU10

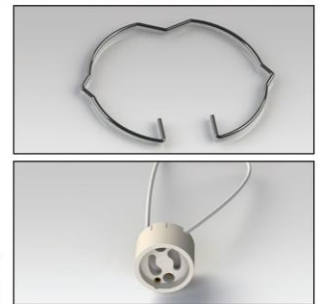
GU10 LAMPHOLDER + CLIP



CE	F	850°C	IP 20
30°	0°	1-30mm	
PAR 16	LED	FLUO	

- Simple version for incandescent halogen max.50W 230V (PAR16).

Code	Description	Kg
806052	Lampholder GU10 + Safety Lamp Clip	0,020



T510 Low + Module 50 IRA Reflector

Module 50 IRA Reflector



CE	F	850°C	IP 20
0/50°	0°	1-18mm	
LED	500000HOURS LIFETIME WARRANTY	ta 25°C	350/500mA

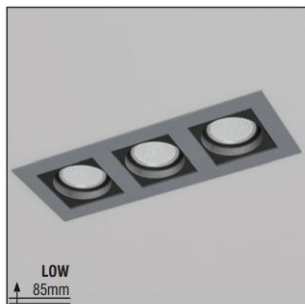
- Reflectors: 7W: Medium - Wide / 5W: Medium  
 - 5W power consumption driver at 500mA.  
 - 7W power consumption driver at 350mA.  
 - Efficiency: 5W: 4000 K: 419 Lumen, CRI: min. 80  
 5W: 3000 K: 419 Lumen, CRI: min. 80  
 7W: 4000 K: 825 Lumen, CRI: min. 80  
 7W: 3000 K: 720 Lumen, CRI: min. 80  
 Maximum: 118 Lm/W

Code	Description	Kg
80643	Module 50 IRA 5W Reflector	0,120
80608	Module 50 IRA 7W Reflector	0,120



T520 Low + Module 50 DIMITRA Reflector HO

Module 50 DIMITRA Reflector HO



CE	F	850°C	IP 40
30°	0°	1-30mm	
LED	500000HOURS LIFETIME WARRANTY	ta 25°C	500mA

- Reflectors: Spot, Medium, Wide.  
 - 5W power consumption driven at 500mA.  
 - Efficiency:  
 5W: 4000 K: 419 Lumen, CRI: min. 80  
 5W: 3000 K: 419 Lumen, CRI: min. 80  
 Maximum: 84 Lm/W

Code	Description	Kg
80609	Module 50 DIMITRA 5W Reflector HO	0,150



T510 Low+ Module 50 ARTEMIS Diffuser Prismatic

Module 50 ARTEMIS Diffuser Prismatic



CE	F	850°C	IP 40
30°	0°	1-30mm	
D	LED	500000HOURS LIFETIME WARRANTY	ta 25°C

- Beam: Diffuser.  
 - 5W power consumption driven at 500mA.  
 - 7W power consumption driven at 350mA.  
 - Efficiency:  
 5W: 4000 K: 419 Lumen, CRI: min. 80  
 5W: 3000 K: 419 Lumen, CRI: min. 80  
 7W: 4000 K: 825 Lumen, CRI: min. 80  
 7W: 3000 K: 720 Lumen, CRI: min. 80  
 Maximum: 118 Lm/W

Code	Description	Kg
80625	Module 50 ARTEMIS 5W Diffuser Prismatic	0,150
80626	Module 50 ARTEMIS 7W Diffuser Prismatic	0,150



T500

T520 Low + Module 50 ATHINA Diffuser Opal

Module 50 ATHINA Diffuser Opal



CE	F	850°C	IP 40
30°	0°	1-30mm	
D			
LED	5 YEAR WARRANTY	ta 25°C	350/500mA

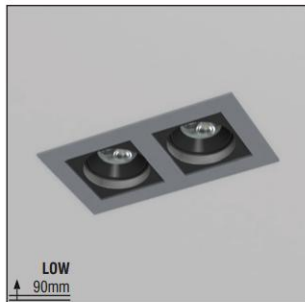
- Beam: Diffuser.
- 5W power consumption driven at 500mA.
- 7W power consumption driven at 350mA.
- Efficiency:
  - 5W: 4000 K: 419 Lumen, CRI: min. 80
  - 5W: 3000 K: 419 Lumen, CRI: min. 80
  - 7W: 4000 K: 825 Lumen, CRI: min. 80
  - 7W: 3000 K: 720 Lumen, CRI: min. 80
- Maximum: 118 Lm/W

Code	Description	Kg
80627	Module 50 ATHINA 5W Diffuser Opal	0,150
80628	Module 50 ATHINA 7W Diffuser Opal	0,150



T510 Low + Module 50 VENUS Lens

Module 50 VENUS Lens



CE	F	850°C	IP 40
30°	0°	1-30mm	
LED	5 YEAR WARRANTY	ta 25°C	350/700mA

- Lens: Spot, Medium, Wide.
- 3W power consumption driven at 350mA.
- 6W power consumption driven at 700mA.
- Efficiency:
  - 3W: 4000 K: 321 Lumen, CRI: min. 75
  - 3W: 3000 K: 300 Lumen, CRI: min. 80
  - 6W: 4000 K: 600 Lumen, CRI: min. 75
  - 6W: 3000 K: 570 Lumen, CRI: min. 80
- Maximum: 107 Lm/W

Code	Description	Kg
80607	Module 50 VENUS 3W/6W Lens	0,150



CODES	MODULES	DRIVERS						
		350mA 8W	350mA 15W	350mA 25W	500mA 6W	500mA 16W	700mA 14W	700mA 30W
		70x35x21	120x35x19	125x79x22	70x35x21	115x45x27,5	158x21x18	156x50x33
80643	Module 50 IRA Reflector 5W (500mA)	800020	800022	800041	800024	800031	800026	800032
80608	Module 50 IRA Reflector 7W (350mA)	1 module	1 - 2 modules	1 - 3 modules				
80609	Module 50 DIMITRA Reflector HO 5W (500mA)				1 module	2 - 3 modules		
80625	Module 50 ARTEMIS Diffuser Prismatic 5W (500mA)				1 module	2 - 3 modules		
80626	Module 50 ARTEMIS Diffuser Prismatic 7W (350mA)	1 module	1 - 2 modules	1 - 3 modules				
80627	Module 50 ATHINA Diffuser Opal 5W (500mA)				1 module	2 - 3 modules		
80628	Module 50 ATHINA Diffuser Opal 7W (350mA)	1 module	1 - 2 modules	1 - 3 modules				
80607	Module 50 VENUS Lens 3W (350mA)	1 - 2 modules	3 - 4 modules					
80607	Module 50 VENUS Lens 6W (700mA)						1 - 2 modules	3 - 4 modules

CODES	MODULES	DRIVERS DIMMER		
		350mA 15W	350mA 25W	350mA 25W
		500mA 22W	500mA 35W	500mA 35W
		700mA 30W	700mA 50W	700mA 50W
		145x40x28	125x79x22	125x79x22
		1-10/Push B.	1-10/Push B.	1-10/Push B./Dali
		800040	800043*	800042*
80643	Module 50 IRA Reflector 5W (500mA)	3 - 4 modules	2 - 6 modules	2 - 6 modules
80608	Module 50 IRA Reflector 7W (350mA)	1 - 2 modules	1 - 3 modules	1 - 3 modules
80609	Module 50 DIMITRA Reflector HO 5W (500mA)	3 - 4 modules	2 - 6 modules	2 - 6 modules
80625	Module 50 ARTEMIS Diffuser Prismatic 5W (500mA)	3 - 4 modules	2 - 6 modules	2 - 6 modules
80626	Module 50 ARTEMIS Diffuser Prismatic 7W (350mA)	1 - 2 modules	1 - 3 modules	1 - 3 modules
80627	Module 50 ATHINA Diffuser Opal 5W (500mA)	3 - 4 modules	2 - 6 modules	2 - 6 modules
80628	Module 50 ATHINA Diffuser Opal 7W (350mA)	1 - 2 modules	1 - 3 modules	1 - 3 modules
80607	Module 50 VENUS Lens 3W (350mA)	2 - 4 modules	2 - 7 modules	2 - 7 modules
80607	Module 50 VENUS Lens 6W (700mA)	2 - 4 modules	2 - 7 modules	2 - 7 modules

Modules CODES	MODULES	Transf. CODES
806051	Module 50 G5,3 12V up to 105W	800007

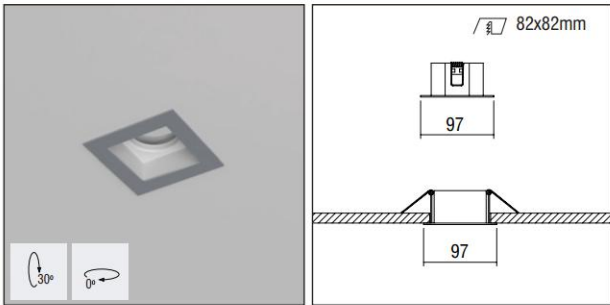
Please order modules and drivers separately

\* Please order synchronization cable for each dimmer driver separately - Code: 800044 (4m)

<b>LED COLOUR CODES:</b>	<b>BEAM CODES:</b>	<b>Colour Codes:</b>
2 Warm 3 Neutral	00 diffuser 01 spot 02 medium 03 wide	0 Colours 1 White 2 Titan 3 Black 4 Chrome 5 matt Alum.

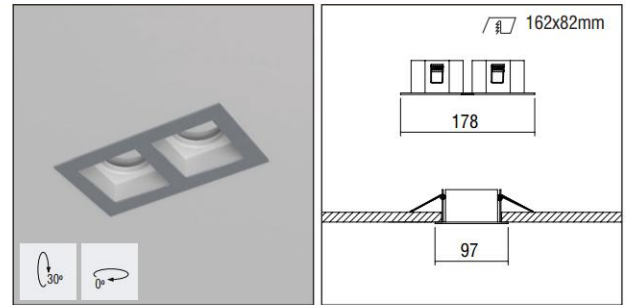
T500

T500 - Fitting



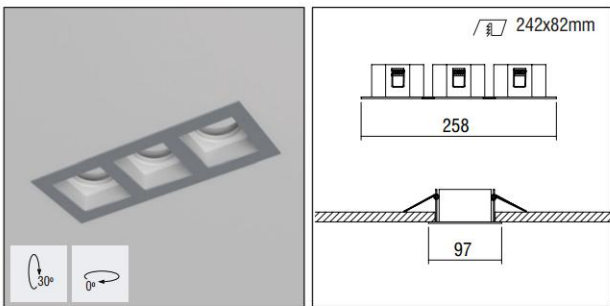
Code	Description	Kg
88551	T500 1x...	0,200

T510 - Fitting



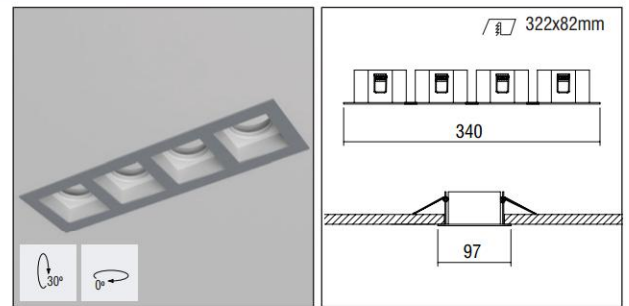
Code	Description	Kg
88553	T510 2x...	0,400

T520 - Fitting



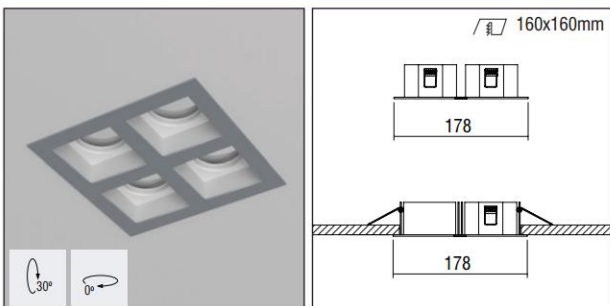
Code	Description	Kg
88555	T520 3x...	0,600

T530 - Fitting



Code	Description	Kg
88557	T530 4x...	0,800

T540 - Fitting

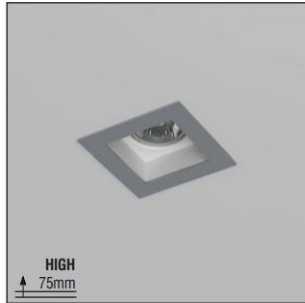


Code	Description	Kg
88559	T540 4x...	0,800

T500

T500 + G5.3

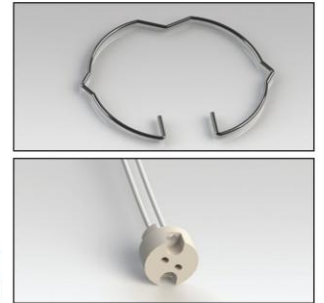
G5.3 LAMPHOLDER + CLIP



CE	F	850°C	IP 20
30°	0°	1-30mm	
PHILIPS MASTERLINE			

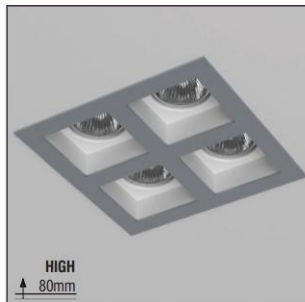
- Simple version for incandescent halogen max.50W 12V (QR-CBC 51).

Code	Description	Kg
806053	Lampholder G5,3 + Safety Lamp Clip	0,020



T540 + GU10

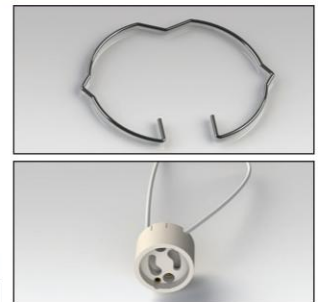
GU10 LAMPHOLDER + CLIP



CE	F	850°C	IP 20
30°	0°	1-30mm	
PAR 16	LED	FLUO	

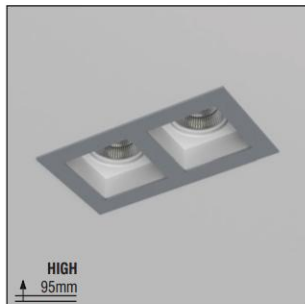
- Simple version for incandescent halogen max.50W 230V (PAR16).

Code	Description	Kg
806052	Lampholder GU10 + Safety Lamp Clip	0,020



T510 + Module 50 IRA 2 Reflector

Module 50 IRA 2 Reflector



CE	F	850°C	IP 20
30°	0°	1-30mm	
LED	350/500mA	ta 25°C	

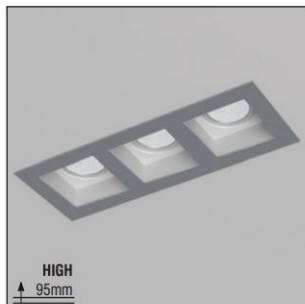
- Reflectors: 7W: Medium - Wide / 5W: Medium  
 - 5W power consumption driver at 500mA.  
 - 7W power consumption driven at 350mA.  
 - Efficiency: 5W: 4000 K: 419 Lumen, CRI: min. 80  
 5W: 3000 K: 419 Lumen, CRI: min. 80  
 7W: 4000 K: 825 Lumen, CRI: min. 80  
 7W: 3000 K: 720 Lumen, CRI: min. 80  
 Maximum: 118 Lm/W

Code	Description	Kg
80644	Module 50 IRA 2 5W Reflector	0,120
80629	Module 50 IRA 2 7W Reflector	0,120



T520 + Module 50 DIMITRA 2 Reflector HO

Module 50 DIMITRA 2 Reflector HO



CE	F	850°C	IP 40
30°	0°	1-30mm	
LED	500mA	ta 25°C	

- Reflectors: Spot, Medium, Wide.  
 - 5W power consumption driven at 500mA.  
 - Efficiency:  
 5W: 4000 K: 419 Lumen, CRI: min. 80  
 5W: 3000 K: 419 Lumen, CRI: min. 80  
 Maximum: 84 Lm/W

Code	Description	Kg
80630	Module 50 DIMITRA 2 5W Reflector HO	0,150



T510 + Module 50 ARTEMIS 2 Diffuser Prismatic

Module 50 ARTEMIS 2 Diffuser Prismatic



CE	F	850°C	IP 40
30°	0°	1-30mm	
D	LED	350/500mA	ta 25°C

- Beam: Diffuser.  
 - 5W power consumption driven at 500mA.  
 - 7W power consumption driven at 350mA.  
 - Efficiency:  
 5W: 4000 K: 419 Lumen, CRI: min. 80  
 5W: 3000 K: 419 Lumen, CRI: min. 80  
 7W: 4000 K: 825 Lumen, CRI: min. 80  
 7W: 3000 K: 720 Lumen, CRI: min. 80  
 Maximum: 118 Lm/W

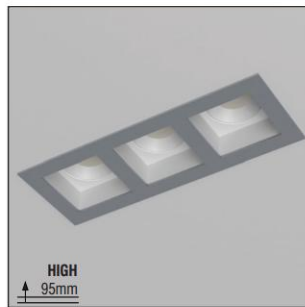
Code	Description	Kg
80631	Module 50 ARTEMIS 2 5W Diffuser Prismatic	0,150
80632	Module 50 ARTEMIS 2 7W Diffuser Prismatic	0,150



T500

T520 + Module 50 ATHINA 2 Diffuser Opal

Module 50 ATHINA 2 Diffuser Opal



CE, F, 850°C, IP 40

30°, 0°, 1-30mm

D

LED, 25°C, 350/500mA

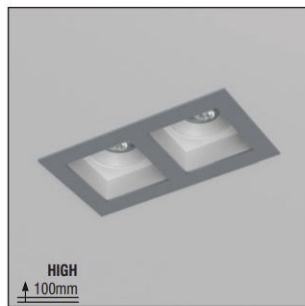
- Beam: Diffuser.
- 5W power consumption driven at 500mA.
- 7W power consumption driven at 350mA.
- Efficiency:
  - 5W: 4000 K: 419 Lumen, CRI: min. 80
  - 5W: 3000 K: 419 Lumen, CRI: min. 80
  - 7W: 4000 K: 825 Lumen, CRI: min. 80
  - 7W: 3000 K: 720 Lumen, CRI: min. 80
- Maximum: 118 Lm/W

Code	Description	Kg
80633	Module 50 ATHINA 2 5W Diffuser Opal	0,150
80634	Module 50 ATHINA 2 7W Diffuser Opal	0,150



T510 + Module 50 VENUS 2 Lens

Module 50 VENUS 2 Lens



CE, F, 850°C, IP 40

30°, 0°, 1-30mm

LED, 25°C, 350/700mA

- Lens: Spot, Medium, Wide.
- 3W power consumption driven at 350mA.
- 6W power consumption driven at 700mA.
- Efficiency:
  - 3W: 4000 K: 321 Lumen, CRI: min. 75
  - 3W: 3000 K: 300 Lumen, CRI: min. 80
  - 6W: 4000 K: 600 Lumen, CRI: min. 75
  - 6W: 3000 K: 570 Lumen, CRI: min. 80
- Maximum: 107 Lm/W

Code	Description	Kg
80635	Module 50 VENUS 2 3W/6W Lens	0,150



**LED COLOUR CODES:**

2 Warm 3 Neutral

**BEAM CODES:**

00 diffuser 01 spot 02 medium 03 wide

**Colour Codes:**

0 Colours 1 White 2 Titan 3 Black 4 Chrome 5 matt Alum.

CODES	MODULES	DRIVERS						
		350mA 8W	350mA 15W	350mA 25W	500mA 6W	500mA 16W	700mA 14W	700mA 30W
		70x35x21	120x35x19	125x79x22	70x35x21	115x45x27,5	158x21x18	156x50x33
80644	Module 50 IRA 2 Reflector 5W (500mA)	800020	800022	800041	800024	800031	800026	800032
80629	Module 50 IRA 2 Reflector 7W (350mA)	1 module	1 - 2 modules	1 - 3 modules				
80630	Module 50 DIMITRA 2 Reflector HO 5W (500mA)				1 module	2 - 3 modules		
80631	Module 50 ARTEMIS 2 Diffuser Prismatic 5W (500mA)				1 module	2 - 3 modules		
80632	Module 50 ARTEMIS 2 Diffuser Prismatic 7W (350mA)	1 module	1 - 2 modules	1 - 3 modules				
80633	Module 50 ATHINA 2 Diffuser Opal 5W (500mA)				1 module	2 - 3 modules		
80634	Module 50 ATHINA 2 Diffuser Opal 7W (350mA)	1 module	1 - 2 modules	1 - 3 modules				
80635	Module 50 VENUS 2 Lens 3W (350mA)	1 - 2 modules	3 - 4 modules					
80635	Module 50 VENUS 2 Lens 6W (700mA)						1 - 2 modules	3 - 4 modules

CODES	MODULES	DRIVERS DIMMER		
		350mA 15W 500mA 22W 700mA 30W	350mA 25W 500mA 35W 700mA 50W	350mA 25W 500mA 35W 700mA 50W
		145x40x28	125x79x22	125x79x22
		1-10/Push B.	1-10/Push B.	1-10/Push B./Dali
80644	Module 50 IRA 2 Reflector 5W (500mA)	800040	800043*	800042*
80629	Module 50 IRA 2 Reflector 7W (350mA)	3 - 4 modules	2 - 6 modules	2 - 6 modules
80630	Module 50 DIMITRA 2 Reflector HO 5W (500mA)	1 - 2 modules	1 - 3 modules	1 - 3 modules
80631	Module 50 ARTEMIS 2 Diffuser Prismatic 5W (500mA)	3 - 4 modules	2 - 6 modules	2 - 6 modules
80632	Module 50 ARTEMIS 2 Diffuser Prismatic 7W (350mA)	3 - 4 modules	2 - 6 modules	2 - 6 modules
80633	Module 50 ATHINA 2 Diffuser Opal 5W (500mA)	1 - 2 modules	1 - 3 modules	1 - 3 modules
80634	Module 50 ATHINA 2 Diffuser Opal 7W (350mA)	3 - 4 modules	2 - 6 modules	2 - 6 modules
80635	Module 50 VENUS 2 Lens 3W (350mA)	1 - 2 modules	1 - 3 modules	1 - 3 modules
80635	Module 50 VENUS 2 Lens 6W (700mA)	2 - 4 modules	2 - 7 modules	2 - 7 modules
80635	Module 50 VENUS 2 Lens 6W (700mA)	2 - 4 modules	2 - 7 modules	2 - 7 modules

12V TRANSFORMERS		
Modules CODES	MODULES	Transf. CODES
806053	Module 50 G5.3 12V up to 70W	800006
806053	Module 50 G5.3 12V up to 105W	800007

Please order modules and drivers separately

\* Please order synchronization cable for each dimmer driver separately - Code: 800044 (4m)



T500



**MICROQUADRO**

Microquadro is a recessed spot, with symmetric or asymmetric distribution. It can satisfy multiple lighting requirements thanks to its wide variety of modules, which makes it a perfect choice for houses, galleries, museums and retail areas.

A LED version is also available and it is guaranteed by the use of last generation light sources which ensure excellent performance with maximum energy efficiency. This, in combination with an efficient thermal management, makes Microquadro a warranty for premium lighting with LED technology.

**Technical Features**

- Aluminium body, painted electrostatically in selected colour or plated.
- Steel adjustable lamp base.
- Symmetrical and asymmetrical versions.
- Easy mounting.

**Upon request:**

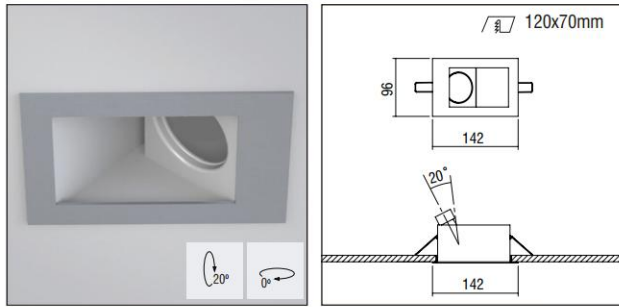
Available with highest colour rendering index (CRI)

**For LED Version**

- Big range of aluminium reflector, lens, diffusers.
- Pure light without IR/UV radiation.
- 3W up to 7W wattage range and 300 up to 825 luminous flux range.
- Die cast aluminum heatsink anodized.
- Operation life: 50,000 hours with efficiency > 70% of the initial luminous flux.
- Connection for operation with Constant Current.

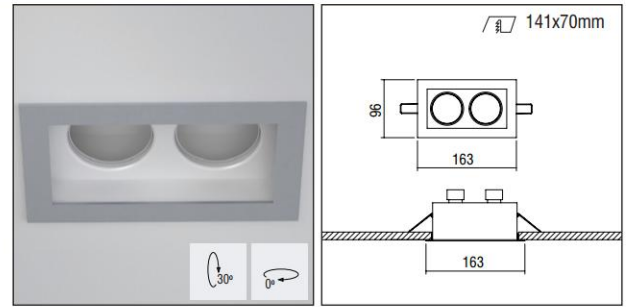
**MICROQUADRO**

**MICROQUADRO 1311 AS Fitting**



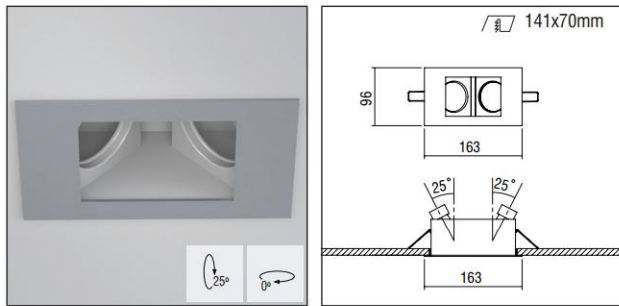
Code	Description	Kg
88502	MICROQUADRO 1311 AS	0,420

**MICROQUADRO 1312 Fitting**



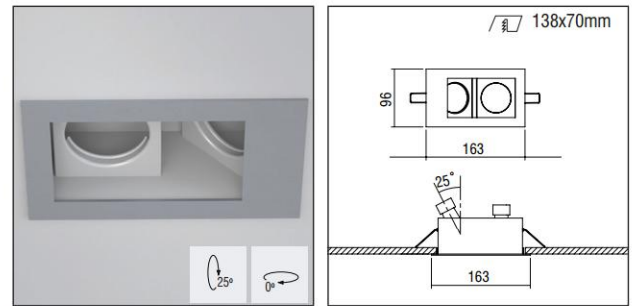
Code	Description	Kg
88503	MICROQUADRO 1312	0,450

**MICROQUADRO 1313 AS Fitting**






Code	Description	Kg
88508	MICROQUADRO 1313 AS	0,450

**MICROQUADRO 1314 AS Fitting**

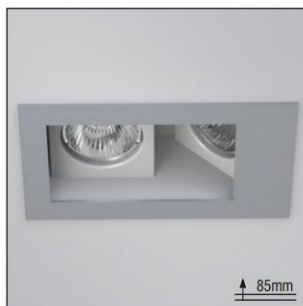


Code	Description	Kg
88505	MICROQUADRO 1314 AS	0,450

**EXAMPLE**

 <p>MICROQUADRO</p>		 <p>MODULE 50 DIMITRA 5W REFLECTOR HO</p>		 <p>DRIVER 500mA 16W</p>	
CODE	PIECE	CODE	PIECE	CODE	PIECE
88505	1	80609	2	800031	1

**MICROQUADRO 1314 AS + G5.3**

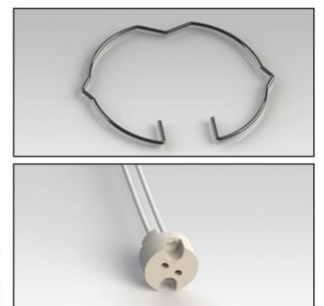


CE	F	850°C	IP 20
25°	0°	1-16mm	
OSRAM DECODEX 51 PHILIPS MASTERLINE			

- Simple version for incandescent halogen max.50W 12V (QR-CBC 51).

Code	Description	Kg
806053	Lampholder G5,3 + Safety Lamp Clip	0,020

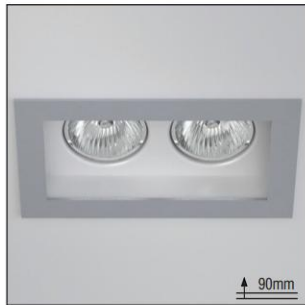
**G5.3 LAMPHOLDER + CLIP**



**MICROQUADRO**

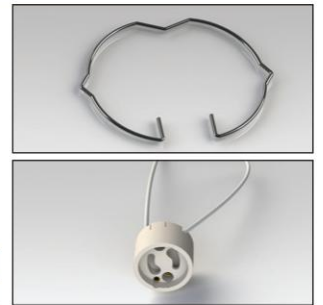
**MICROQUADRO 1312 + GU10**

**GU10 LAMPHOLDER + CLIP**



CE	F	850°C	IP 20
30°	0°	1-16mm	
PAR16	LED	FLUO	

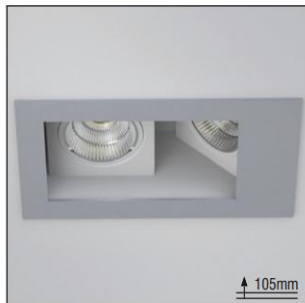
- Simple version for incandescent halogen max.50W 230V (PAR16).



Code	Description	Kg
806052	Lampholder GU10 + Safety Lamp Clip	0,020

**MICROQUADRO 1314 AS + Module 50 IRA 2 Reflector**

**Module 50 IRA 2 Reflector**



CE	F	850°C	IP 20
30°	0°	1-30mm	
LED	350/500mA	ta 25°C	

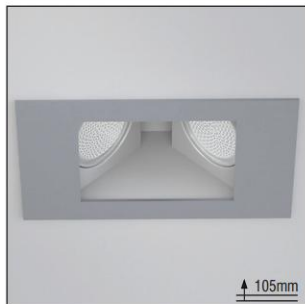
- Reflectors: 7W: Medium - Wide / 5W: Medium  
 - 5W power consumption driver at 500mA.  
 - 7W power consumption driven at 350mA.  
 - Efficiency: 5W: 4000 K: 419 Lumen, CRI: min. 80  
 5W: 3000 K: 419 Lumen, CRI: min. 80  
 7W: 4000 K: 825 Lumen, CRI: min. 80  
 7W: 3000 K: 720 Lumen, CRI: min. 80  
 Maximum: 118 Lm/W



Code	Description	Kg
80644	Module 50 IRA 2 5W Reflector	0,120
80629	Module 50 IRA 2 7W Reflector	0,120

**MICROQUADRO 1313 AS + Module 50 DIMITRA 2 Reflector HO**

**Module 50 DIMITRA 2 Reflector HO**



CE	F	850°C	IP 40
25°	0°	1-16mm	
LED	500mA	ta 25°C	

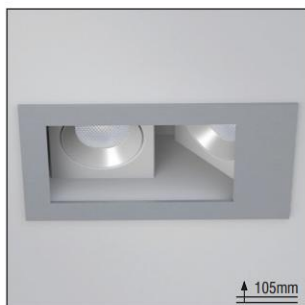
- Reflectors: Spot, Medium, Wide.  
 - 5W power consumption driven at 500mA.  
 - Efficiency:  
 5W: 4000 K: 419 Lumen, CRI: min. 80  
 5W: 3000 K: 419 Lumen, CRI: min. 80  
 Maximum: 84 Lm/W



Code	Description	Kg
80630	Module 50 DIMITRA 2 5W Reflector HO	0,150

**MICROQUADRO 1314 AS + Module 50 ARTEMIS 2 Diffuser Prismatic**

**Module 50 ARTEMIS 2 Diffuser Prismatic**



CE	F	850°C	IP 40
25°	0°	1-16mm	
D	LED	350/500mA	ta 25°C

- Beam: Diffuser.  
 - 5W power consumption driven at 500mA.  
 - 7W power consumption driven at 350mA.  
 - Efficiency:  
 5W: 4000 K: 419 Lumen, CRI: min. 80  
 5W: 3000 K: 419 Lumen, CRI: min. 80  
 7W: 4000 K: 825 Lumen, CRI: min. 80  
 7W: 3000 K: 720 Lumen, CRI: min. 80  
 Maximum: 118 Lm/W

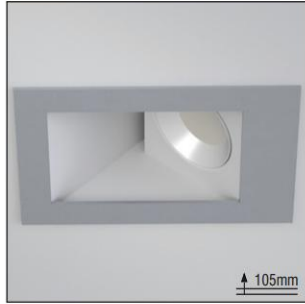


Code	Description	Kg
80631	Module 50 ARTEMIS 2 5W Diffuser Prismatic	0,150
80632	Module 50 ARTEMIS 2 7W Diffuser Prismatic	0,150

MICROQUADRO

MICROQUADRO 1311 AS + Module 50 ATHINA 2 Diffuser Opal

Module 50 ATHINA 2 Diffuser Opal



CE F 850°C IP 40

20° 0° 1-16mm

D

LED 50000 HOURS WARRANTY ta 25°C 350/500mA

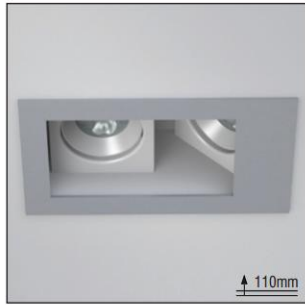
- Beam: Diffuser.
- 5W power consumption driven at 500mA.
- 7W power consumption driven at 350mA.
- Efficiency:
  - 5W: 4000 K: 419 Lumen, CRI: min. 80
  - 5W: 3000 K: 419 Lumen, CRI: min. 80
  - 7W: 4000 K: 825 Lumen, CRI: min. 80
  - 7W: 3000 K: 720 Lumen, CRI: min. 80
- Maximum: 118 Lm/W

Code	Description	Kg
80633	Module 50 ATHINA 2 5W Diffuser Opal	0,150
80634	Module 50 ATHINA 2 7W Diffuser Opal	0,150



MICROQUADRO 1314 AS + Module 50 VENUS 2 Lens

Module 50 VENUS 2 Lens



CE F 850°C IP 40

25° 0° 1-16mm

LED 50000 HOURS WARRANTY ta 25°C 350/700mA

- Lens: Spot, Medium, Wide.
- 3W power consumption driven at 350mA.
- 6W power consumption driven at 700mA.
- Efficiency:
  - 3W: 4000 K: 321 Lumen, CRI: min. 75
  - 3W: 3000 K: 300 Lumen, CRI: min. 80
  - 6W: 4000 K: 600 Lumen, CRI: min. 75
  - 6W: 3000 K: 570 Lumen, CRI: min. 80
- Maximum: 107 Lm/W

Code	Description	Kg
80635	Module 50 VENUS 2 3W/6W Lens	0,150



LED COLOUR CODES:

- 2 Warm 3 Neutral

BEAM CODES:

- 00 diffuser 01 spot 02 medium 03 wide

Colour Codes:

- 0 Colours 1 White 2 Titan 3 Black 4 Chrome 5 matt Alum.

CODES	MODULES	DRIVERS						
		350mA 8W	350mA 15W	350mA 25W	500mA 6W	500mA 16W	700mA 14W	700mA 30W
		70x35x21	120x35x19	125x79x22	70x35x21	115x45x27,5	158x21x18	156x50x33
80644	Module 50 IRA 2 Reflector 5W (500mA)	800020	800022	800041	800024	800031	800026	800032
80629	Module 50 IRA 2 Reflector 7W (350mA)	1 module	1 - 2 modules	1 - 3 modules				
80630	Module 50 DIMITRA 2 Reflector HO 5W (500mA)				1 module	2 - 3 modules		
80631	Module 50 ARTEMIS 2 Diffuser Prismatic 5W (500mA)				1 module	2 - 3 modules		
80632	Module 50 ARTEMIS 2 Diffuser Prismatic 7W (350mA)	1 module	1 - 2 modules	1 - 3 modules				
80633	Module 50 ATHINA 2 Diffuser Opal 5W (500mA)				1 module	2 - 3 modules		
80634	Module 50 ATHINA 2 Diffuser Opal 7W (350mA)	1 module	1 - 2 modules	1 - 3 modules				
80635	Module 50 VENUS 2 Lens 3W (350mA)	1 - 2 modules	3 - 4 modules					
80635	Module 50 VENUS 2 Lens 6W (700mA)						1 - 2 modules	3 - 4 modules

CODES	MODULES	DRIVERS DIMMER		
		350mA 15W 500mA 22W 700mA 30W	350mA 25W 500mA 35W 700mA 50W	350mA 25W 500mA 35W 700mA 50W
		145x40x28	125x79x22	125x79x22
		1-10/ Push B.	1-10/ Push B.	1-10/ Push B./Dali
80644	Module 50 IRA 2 Reflector 5W (500mA)	800040	800043*	800042*
80629	Module 50 IRA 2 Reflector 7W (350mA)	3 - 4 modules	2 - 6 modules	2 - 6 modules
80630	Module 50 DIMITRA 2 Reflector HO 5W (500mA)	1 - 2 modules	1 - 3 modules	1 - 3 modules
80631	Module 50 ARTEMIS 2 Diffuser Prismatic 5W (500mA)	3 - 4 modules	2 - 6 modules	2 - 6 modules
80632	Module 50 ARTEMIS 2 Diffuser Prismatic 7W (350mA)	3 - 4 modules	2 - 6 modules	2 - 6 modules
80633	Module 50 ATHINA 2 Diffuser Opal 5W (500mA)	1 - 2 modules	1 - 3 modules	1 - 3 modules
80634	Module 50 ATHINA 2 Diffuser Opal 7W (350mA)	1 - 2 modules	1 - 3 modules	1 - 3 modules
80635	Module 50 VENUS 2 Lens 3W (350mA)	2 - 4 modules	2 - 7 modules	2 - 7 modules
80635	Module 50 VENUS 2 Lens 6W (700mA)	2 - 4 modules	2 - 7 modules	2 - 7 modules

12V TRANSFORMERS		
Modules CODES	MODULES	Transf. CODES
806053	Module 50 G5,3 12V up to 70W	800006
806053	Module 50 G5,3 12V up to 105W	800007

Please order modules and drivers separately

\* Please order synchronization cable for each dimmer driver separately - Code: 800044 (4m)

AXIO

AXIO



CE F IP 20

40° 0° 1-9mm

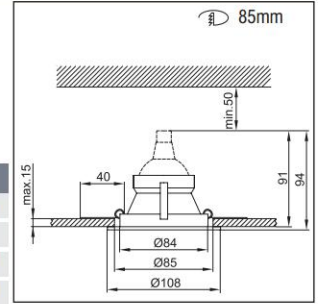
OSRAM HALOSTAR PHILIPS CAPSULELINE OSRAM-RECCOTRAB 51 PHILIPS-MASTERLINE

PAR 16 LED

FLUO

- Simple version for incandescent halogen max.50W.
- Steel body.
- Reflector from matt aluminium.

Code	Description	Colour	Kg
88601	1x max.50W G5,3 / GU10	white	0,080
808101	Lampholder GU10		0,010
808102	Lampholder G5,3		0,010



Colour Codes:

- 0 Colours 1 White 2 Titan 3 Black

12V TRANSFORMERS

DESCRIPTION	CODES
ELECTRONIC 70W	800006
ELECTRONIC 105W	800007

QUADRO 89

QUADRO 89



CE F IP 33

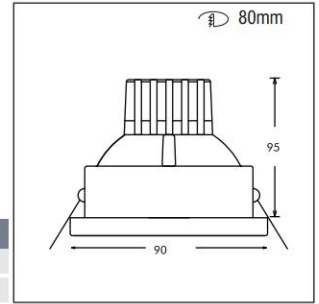
0° 1-9mm

OSRAM-RECCOTRAB 51 PHILIPS-MASTERLINE OSRAM-HIC-TF PHILIPS-

PAR 16

- Simple version for incandescent halogen max.50W.
- Steel body.
- Reflector from matt aluminium.

Code	Description	Kg
88118	Quadro 89 1x20W or 35W HIT-TC-CE / GU6.5	
88119	Quadro 89 1x50W PAR16 / GU10	



Colour Codes:

- 0 Colours 1 White 2 Titan 3 Black 4 Chrome 5 matt Alum.

SCUBA

SCUBA



CE F IP 20 54

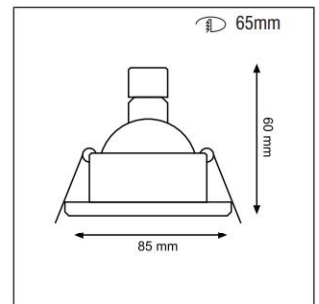
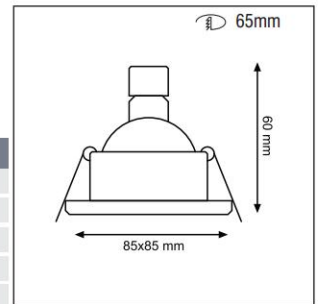
OSRAM HALOSTAR PHILIPS CAPSULELINE OSRAM-RECCOTRAB 51 PHILIPS-MASTERLINE

PAR 16 LED

FLUO

- Simple version for incandescent halogen max.50W.
- Body from die-cast aluminium.
- Silicone gaskets.
- Tempered satin glass.

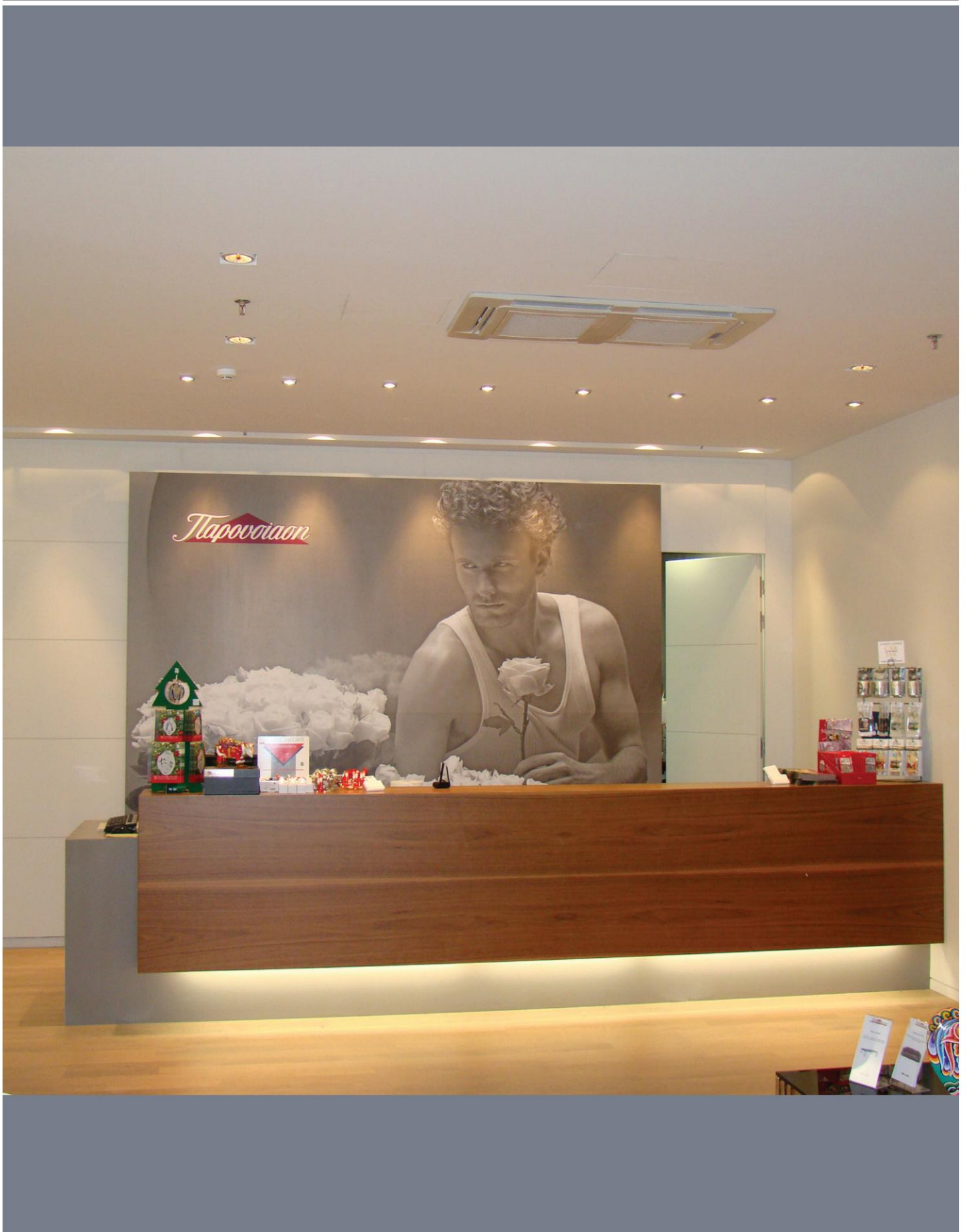
Code	Description	Kg
88123	Scuba Square 1x max.50W / GU5,3	
88124	Scuba Square 1x max.50W / GU10	
88126	Scuba Round 1x max.50W / GU5,3	
88127	Scuba Round 1x max.50W / GU10	



Colour Codes:

- 1 White 4 Chrome 5 matt Alum.

AXIO



**CORONA - CORONA Q**

Corona is an elegant deep recessed spot with rotation. It can satisfy multiple lighting requirements thanks to its wide variety of modules, which makes it a perfect choice for houses, galleries, museums and retail areas.

A LED version is also available and it is guaranteed by the use of last generation light sources which ensure excellent performance with maximum energy efficiency. This, in combination with an efficient thermal management, makes Corona a warranty for premium lighting with LED technology.

**Technical Features**

- Body from die-cast aluminium, painted electrostatically in selected colour or plated.
- Adjustable internal ring from die-cast aluminium, painted electrostatically in selected colour or plated.
- Easy mounting with clips.

**Upon request:**

Available with highest colour rendering index (CRI)

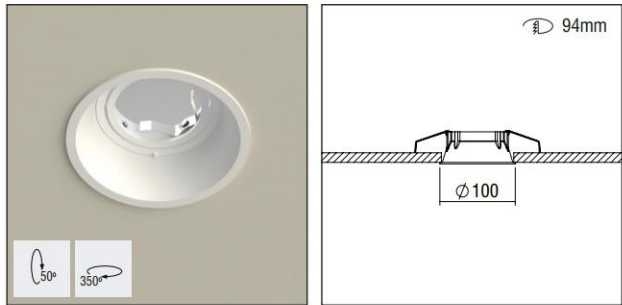
**For LED Version**

- Big range of aluminium reflector, lens, diffusers.
- Pure light without IR/UV radiation.
- 3W up to 7W wattage range and 300 up to 825 luminous flux range.
- Die cast aluminum heatsink anodized.
- Operation life: 50,000 hours with efficiency > 70% of the initial luminous flux.
- Connection for operation with Constant Current.



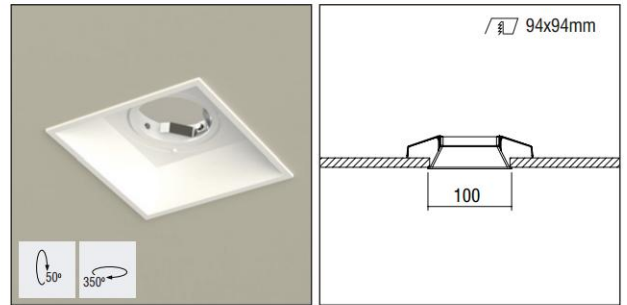
CORONA - CORONA Q

CORONA Fitting






Code	Description	Kg
86894	CORONA	0,170

CORONA Q Fitting



Code	Description	Kg
86895	CORONA Q	0,180

EXAMPLE

	CORONA		MODULE 50 DIMITRA 2 REFLECTOR HO		DRIVER 500mA 6W
<b>CODE</b>	<b>PIECE</b>	<b>CODE</b>	<b>PIECE</b>	<b>CODE</b>	<b>PIECE</b>
86894	1	80630	1	800024	1

CORONA + G5.3



CE	F	850°C	IP 20
50°	350°	12.5mm	
OSRAM SUCCESSION 91	PHILIPS MASTERLINE		

- Simple version for incandescent halogen max.50W 12V (QR-CBC 51).

Code	Description	Kg
808102	Lampholder G5,3	0,010

G5.3 LAMPHOLDER



CORONA Q + GU10



CE	F	850°C	IP 20
50°	350°		
PAR 16	LED	FLUO	

- Simple version for incandescent halogen max.50W 230V (PAR16).

Code	Description	Kg
808101	Lampholder GU10	0,010

GU10 LAMPHOLDER



CORONA + Module 50 IRA 2 Reflector



CE	F	850°C	IP 20
30°	0°	1-30mm	
LED	350/500mA	ta 25°C	

- Reflectors: 7W: Medium - Wide / 5W: Medium  
 - 5W power consumption driver at 500mA.  
 - 7W power consumption driven at 350mA.  
 - Efficiency: 5W: 4000 K: 419 Lumen, CRI: min. 80  
 5W: 3000 K: 419 Lumen, CRI: min. 80  
 7W: 4000 K: 825 Lumen, CRI: min. 80  
 7W: 3000 K: 720 Lumen, CRI: min. 80  
 Maximum: 118 Lm/W

Code	Description	Kg
80644	Module 50 IRA 2 5W Reflector	0,120
80629	Module 50 IRA 2 7W Reflector	0,120

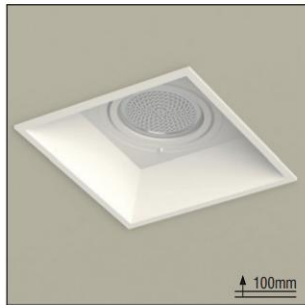
Module 50 IRA 2 Reflector



**CORONA - CORONA Q**

**CORONA Q + Module 50 DIMITRA 2 Reflector HO**

Module 50 **DIMITRA 2** Reflector HO



CE	F	850°C	IP 40
50°	350°		
LED	5 YEAR WARRANTY	ta 25°C	500mA

- Reflectors: Spot, Medium, Wide.
- 5W power consumption driven at 500mA.
- Efficiency:
- 5W: 4000 K: 419 Lumen, CRI: min. 80
- 5W: 3000 K: 419 Lumen, CRI: min. 80
- Maximum: 84 Lm/W

Code	Description	Kg
80630	Module 50 DIMITRA 2 5W Reflector HO	0,150



**CORONA + Module 50 ARTEMIS 2 Diffuser Prismatic**

Module 50 **ARTEMIS 2** Diffuser Prismatic



CE	F	850°C	IP 40
50°	350°		
LED	5 YEAR WARRANTY	ta 25°C	350/500mA

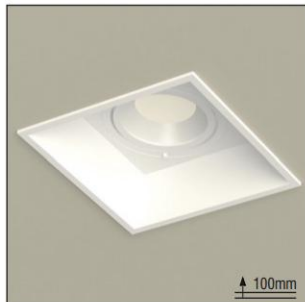
- Beam: Diffuser.
- 5W power consumption driven at 500mA.
- 7W power consumption driven at 350mA.
- Efficiency:
- 5W: 4000 K: 419 Lumen, CRI: min. 80
- 5W: 3000 K: 419 Lumen, CRI: min. 80
- 7W: 4000 K: 825 Lumen, CRI: min. 80
- 7W: 3000 K: 720 Lumen, CRI: min. 80
- Maximum: 118 Lm/W

Code	Description	Kg
80631	Module 50 ARTEMIS 2 5W Diffuser Prismatic	0,150
80632	Module 50 ARTEMIS 2 7W Diffuser Prismatic	0,150



**CORONA Q + Module 50 ATHINA 2 Diffuser Opal**

Module 50 **ATHINA 2** Diffuser Opal



CE	F	850°C	IP 40
50°	350°		
LED	5 YEAR WARRANTY	ta 25°C	350/500mA

- Beam: Diffuser.
- 5W power consumption driven at 500mA.
- 7W power consumption driven at 350mA.
- Efficiency:
- 5W: 4000 K: 419 Lumen, CRI: min. 80
- 5W: 3000 K: 419 Lumen, CRI: min. 80
- 7W: 4000 K: 825 Lumen, CRI: min. 80
- 7W: 3000 K: 720 Lumen, CRI: min. 80
- Maximum: 118 Lm/W

Code	Description	Kg
80633	Module 50 ATHINA 2 5W Diffuser Opal	0,150
80634	Module 50 ATHINA 2 7W Diffuser Opal	0,150



**CORONA + Module 50 VENUS 2 Lens**

Module 50 **VENUS 2** Lens



CE	F	850°C	IP 40
50°	350°		
LED	5 YEAR WARRANTY	ta 25°C	350/700mA

- Lens: Spot, Medium, Wide.
- 3W power consumption driven at 350mA.
- 6W power consumption driven at 700mA.
- Efficiency:
- 3W: 4000 K: 321 Lumen, CRI: min. 75
- 3W: 3000 K: 300 Lumen, CRI: min. 80
- 6W: 4000 K: 600 Lumen, CRI: min. 75
- 6W: 3000 K: 570 Lumen, CRI: min. 80
- Maximum: 107 Lm/W

Code	Description	Kg
80635	Module 50 VENUS 2 3W/6W Lens	0,150



**LED COLOUR CODES:**

2 Warm 3 Neutral

**BEAM CODES:**

00 diffuser 01 spot 02 medium 03 wide

**Colour Codes:**

0 Colours 1 White 2 Titan 3 Black 4 Chrome 5 matt Alum.

CORONA - CORONA Q

		DRIVERS						
		350mA 8W	350mA 15W	350mA 25W	500mA 6W	500mA 16W	700mA 14W	700mA 30W
		70x35x21	120x35x19	125x79x22	70x35x21	115x45x27,5	158x21x18	156x50x33
CODES	MODULES	800020	800022	800041	800024	800031	800026	800032
80644	Module 50 <b>IRA 2</b> Reflector 5W (500mA)				1 module	2 - 3 modules		
80629	Module 50 <b>IRA 2</b> Reflector 7W (350mA)	1 module	1 - 2 modules	1 - 3 modules				
80630	Module 50 <b>DIMITRA 2</b> Reflector HO 5W (500mA)				1 module	2 - 3 modules		
80631	Module 50 <b>ARTEMIS 2</b> Diffuser Prismatic 5W (500mA)				1 module	2 - 3 modules		
80632	Module 50 <b>ARTEMIS 2</b> Diffuser Prismatic 7W (350mA)	1 module	1 - 2 modules	1 - 3 modules				
80633	Module 50 <b>ATHINA 2</b> Diffuser Opal 5W (500mA)				1 module	2 - 3 modules		
80634	Module 50 <b>ATHINA 2</b> Diffuser Opal 7W (350mA)	1 module	1 - 2 modules	1 - 3 modules				
80635	Module 50 <b>VENUS 2</b> Lens 3W (350mA)	1 - 2 modules	3 - 4 modules					
80635	Module 50 <b>VENUS 2</b> Lens 6W (700mA)						1 - 2 modules	3 - 4 modules

		DRIVERS DIMMER		
		350mA 15W 500mA 22W 700mA 30W	350mA 25W 500mA 35W 700mA 50W	350mA 25W 500mA 35W 700mA 50W
		145x40x28	125x79x22	125x79x22
		1-10/ Push B.	1-10/ Push B.	1-10/ Push B./Dali
CODES	MODULES	800040	800043*	800042*
80644	Module 50 <b>IRA 2</b> Reflector 5W (500mA)	3 - 4 modules	2 - 6 modules	2 - 6 modules
80629	Module 50 <b>IRA 2</b> Reflector 7W (350mA)	1 - 2 modules	1 - 3 modules	1 - 3 modules
80630	Module 50 <b>DIMITRA 2</b> Reflector HO 5W (500mA)	3 - 4 modules	2 - 6 modules	2 - 6 modules
80631	Module 50 <b>ARTEMIS 2</b> Diffuser Prismatic 5W (500mA)	3 - 4 modules	2 - 6 modules	2 - 6 modules
80632	Module 50 <b>ARTEMIS 2</b> Diffuser Prismatic 7W (350mA)	1 - 2 modules	1 - 3 modules	1 - 3 modules
80633	Module 50 <b>ATHINA 2</b> Diffuser Opal 5W (500mA)	3 - 4 modules	2 - 6 modules	2 - 6 modules
80634	Module 50 <b>ATHINA 2</b> Diffuser Opal 7W (350mA)	1 - 2 modules	1 - 3 modules	1 - 3 modules
80635	Module 50 <b>VENUS 2</b> Lens 3W (350mA)	2 - 4 modules	2 - 7 modules	2 - 7 modules
80635	Module 50 <b>VENUS 2</b> Lens 6W (700mA)	2 - 4 modules	2 - 7 modules	2 - 7 modules

12V TRANSFORMERS		
Modules CODES	MODULES	Transf. CODES
806053	Module 50 <b>G5,3</b> 12V up to 70W	800006
806053	Module 50 <b>G5,3</b> 12V up to 105W	800007

Please order modules and drivers separately

\* Please order synchronization cable for each dimmer driver separately - Code: 800044 (4m)

**KADRO 50**

A piece-of-art luminaire with three notable characteristics: sophisticated design, flexibility and high performance. It's unique trapezoid design raises the architectural interest and impresses the observer. There are three frames with different dimensions in which 1,2 or 3 modules of light sources can be intergrated. Thanks to it's optimal optical system, it offers precise, uniform light distribution and excellent lighting quality.

**Technical Features**

- Steel body, painted electrostatically in selected colour or plated.
- Outer adjustable ring from die-cast aluminium, for easy lamp replacement.
- Inner adjustable ring from die-cast aluminium.
- Easy mounting with clips.

**Upon request:**

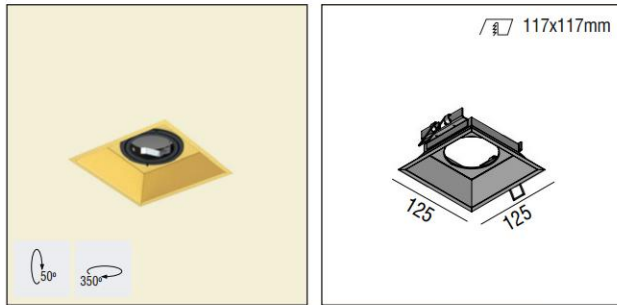
Available with highest colour rendering index (CRI)

**For LED Version**

- Big range of aluminium reflector, lens, diffusers.
- Pure light without IR/UV radiation.
- 3W up to 7W wattage range and 300 up to 825 luminous flux range.
- Die cast aluminum heatsink anodized.
- Operation life: 50,000 hours with efficiency > 70% of the initial luminous flux.
- Connection for operation with Constant Current.

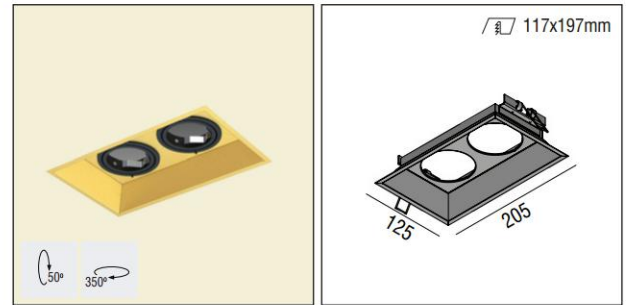
**KADRO 50**

**KADRO 50 Fitting**



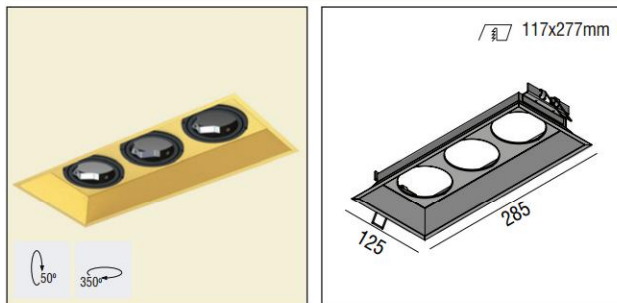
Code	Description	Kg
86871	KADRO 50 1x...	0,150

**KADRO 51 Fitting**



Code	Description	Kg
86872	KADRO 51 1x...	0,250

**KADRO 52 Fitting**



Code	Description	Kg
86873	KADRO 52 1x...	0,350

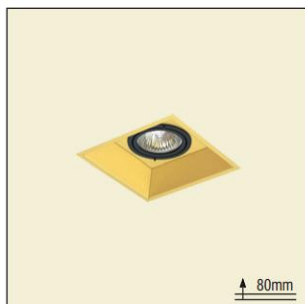
**KADRO 51 Fitting**

**EXAMPLE**

KADRO 52		MODULE 50 IRA 2 REFLECTOR		DRIVER 350mA 25W	
CODE	PIECE	CODE	PIECE	CODE	PIECE
86873	1	80629	3	800041	1

**KADRO 50 + G5.3**

**G5.3 LAMPHOLDER**



CE	F	850°C	IP 20
50°	350°	5-40mm	
<small>RENDERE SECONTO UN PRINCIPALE RECELORLINE</small>			

- Simple version for incandescent halogen max.50W 12V (QR-CBC 51).

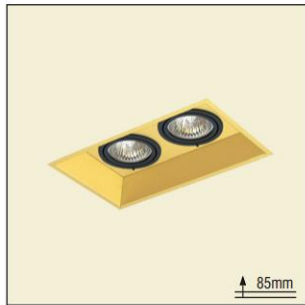
Code	Description	Kg
808102	Lampholder G5,3	0,010



KADRO 50

KADRO 51 + GU10

GU10 LAMPHOLDER



CE	F	850°C	IP 20
50°	350°	±5-40mm	
PAR 16	LED	FLUO	

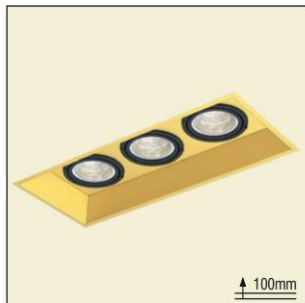
- Simple version for incandescent halogen max.50W 230V (PAR16).

Code	Description	Kg
808101	Lampholder GU10	0,010



KADRO 52 + Module 50 IRA 2 Reflector

Module 50 IRA 2 Reflector



CE	F	850°C	IP 20
30°	360°	±1-30mm	
▲	▲		
LED	5000/500mA	ta 25°C	350/500mA

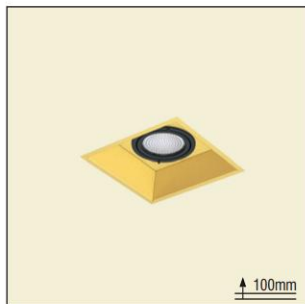
- Reflectors: 7W: Medium - Wide / 5W: Medium  
 - 5W power consumption driver at 500mA.  
 - 7W power consumption driven at 350mA.  
 - Efficiency: 5W: 4000 K: 419 Lumen, CRI: min. 80  
 5W: 3000 K: 419 Lumen, CRI: min. 80  
 7W: 4000 K: 825 Lumen, CRI: min. 80  
 7W: 3000 K: 720 Lumen, CRI: min. 80  
 Maximum: 118 Lm/W

Code	Description	Kg
80644	Module 50 IRA 2 5W Reflector	0,120
80629	Module 50 IRA 2 7W Reflector	0,120



KADRO 50 + Module 50 DIMITRA 2 Reflector HO

Module 50 DIMITRA 2 Reflector HO



CE	F	850°C	IP 40
50°	350°	±5-40mm	
▲	▲		
LED	5000/500mA	ta 25°C	500mA

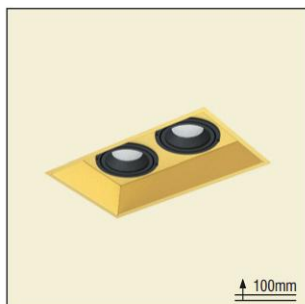
- Reflectors: Spot, Medium, Wide.  
 - 5W power consumption driven at 500mA.  
 - Efficiency:  
 5W: 4000 K: 419 Lumen, CRI: min. 80  
 5W: 3000 K: 419 Lumen, CRI: min. 80  
 Maximum: 84 Lm/W

Code	Description	Kg
80630	Module 50 DIMITRA 2 5W Reflector HO	0,150



KADRO 51 + Module 50 ARTEMIS 2 Diffuser Prismatic

Module 50 ARTEMIS 2 Diffuser Prismatic



CE	F	850°C	IP 40
50°	350°	±5-40mm	
D			
LED	5000/500mA	ta 25°C	350/500mA

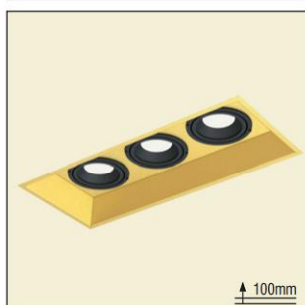
- Beam: Diffuser.  
 - 5W power consumption driven at 500mA.  
 - 7W power consumption driven at 350mA.  
 - Efficiency:  
 5W: 4000 K: 419 Lumen, CRI: min. 80  
 5W: 3000 K: 419 Lumen, CRI: min. 80  
 7W: 4000 K: 825 Lumen, CRI: min. 80  
 7W: 3000 K: 720 Lumen, CRI: min. 80  
 Maximum: 118 Lm/W

Code	Description	Kg
80631	Module 50 ARTEMIS 2 5W Diffuser Prismatic	0,150
80632	Module 50 ARTEMIS 2 7W Diffuser Prismatic	0,150



KADRO 52 + Module 50 ATHINA 2 Diffuser Opal

Module 50 ATHINA 2 Diffuser Opal



CE	F	850°C	IP 40
50°	350°	±5-40mm	
D			
LED	5000/500mA	ta 25°C	350/500mA

- Beam: Diffuser.  
 - 5W power consumption driven at 500mA.  
 - 7W power consumption driven at 350mA.  
 - Efficiency:  
 5W: 4000 K: 419 Lumen, CRI: min. 80  
 5W: 3000 K: 419 Lumen, CRI: min. 80  
 7W: 4000 K: 825 Lumen, CRI: min. 80  
 7W: 3000 K: 720 Lumen, CRI: min. 80  
 Maximum: 118 Lm/W

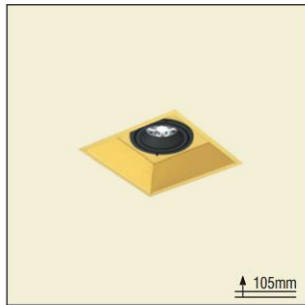
Code	Description	Kg
80633	Module 50 ATHINA 2 5W Diffuser Opal	0,150
80634	Module 50 ATHINA 2 7W Diffuser Opal	0,150



KADRO 50

KADRO 50 + Module 50 VENUS 2 Lens

Module 50 VENUS 2 Lens



850°C IP 40  
 50° 350°  
 5-40mm  
 LED  
 ta 25°C  
 350/700mA

- Lens: Spot, Medium, Wide.
- 3W power consumption driven at 350mA.
- 6W power consumption driven at 700mA.
- Efficiency:
  - 3W: 4000 K: 321 Lumen, CRI: min. 75
  - 3W: 3000 K: 300 Lumen, CRI: min. 80
  - 6W: 4000 K: 600 Lumen, CRI: min. 75
  - 6W: 3000 K: 570 Lumen, CRI: min. 80
- Maximum: 107 Lm/W



Code	Description	Kg
80635	Module 50 VENUS 2 3W/6W Lens	0,150

**LED COLOUR CODES:** 2 Warm 3 Neutral  
**BEAM CODES:** 00 diffuser 01 spot 02 medium 03 wide  
**Colour Codes:** 0 Colours 1 White 2 Titan 3 Black 4 Chrome 5 matt Alum.

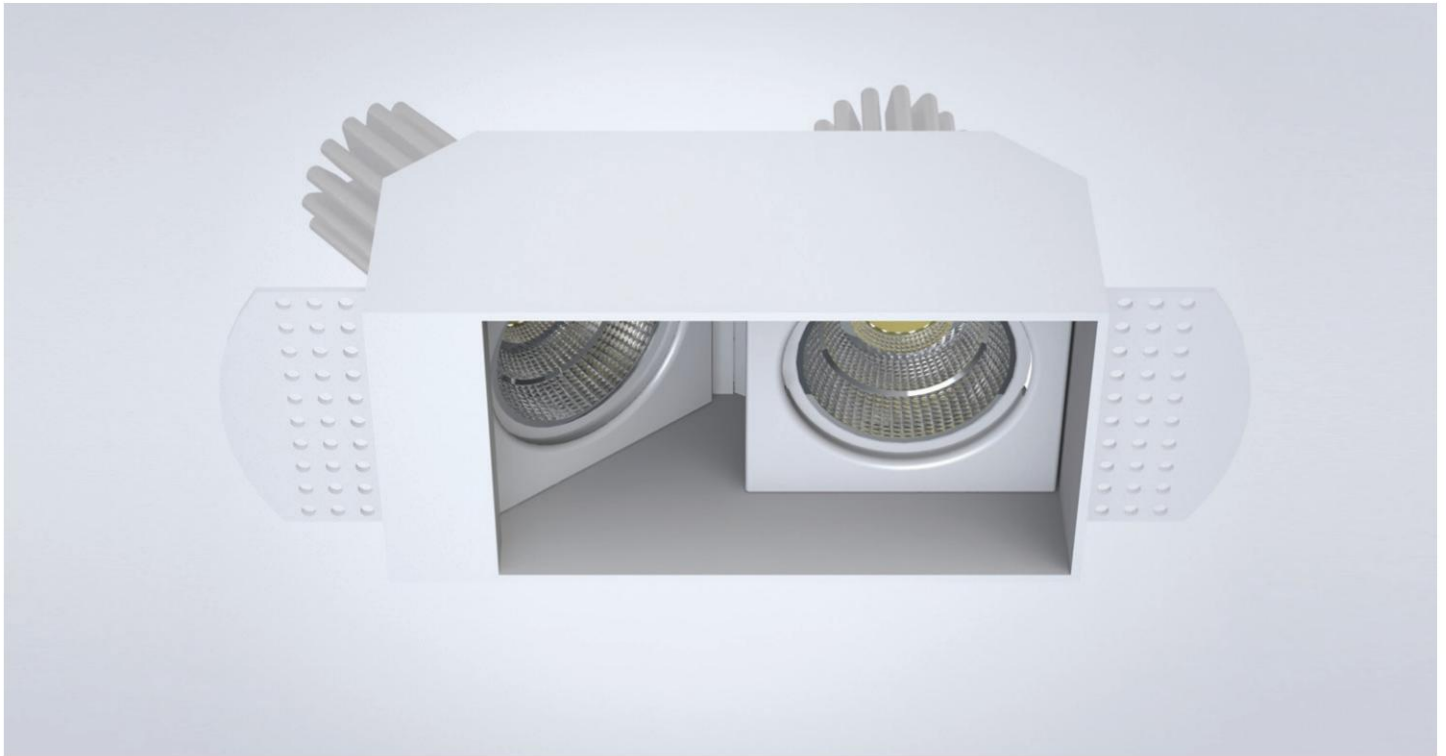
CODES	MODULES	DRIVERS						
		350mA 8W	350mA 15W	350mA 25W	500mA 6W	500mA 16W	700mA 14W	700mA 30W
		70x35x21	120x35x19	125x79x22	70x35x21	115x45x27,5	158x21x18	156x50x33
80644	Module 50 IRA 2 Reflector 5W (500mA)	800020	800022	800041	800024	800031	800026	800032
80629	Module 50 IRA 2 Reflector 7W (350mA)	1 module	1 - 2 modules	1 - 3 modules	1 module	2 - 3 modules		
80630	Module 50 DIMITRA 2 Reflector HO 5W (500mA)				1 module	2 - 3 modules		
80631	Module 50 ARTEMIS 2 Diffuser Prismatic 5W (500mA)				1 module	2 - 3 modules		
80632	Module 50 ARTEMIS 2 Diffuser Prismatic 7W (350mA)	1 module	1 - 2 modules	1 - 3 modules				
80633	Module 50 ATHINA 2 Diffuser Opal 5W (500mA)				1 module	2 - 3 modules		
80634	Module 50 ATHINA 2 Diffuser Opal 7W (350mA)	1 module	1 - 2 modules	1 - 3 modules				
80635	Module 50 VENUS 2 Lens 3W (350mA)	1 - 2 modules	3 - 4 modules					
80635	Module 50 VENUS 2 Lens 6W (700mA)						1 - 2 modules	3 - 4 modules

CODES	MODULES	DRIVERS DIMMER		
		350mA 15W 500mA 22W 700mA 30W	350mA 25W 500mA 35W 700mA 50W	350mA 25W 500mA 35W 700mA 50W
		145x40x28	125x79x22	125x79x22
		1-10/Push B.	1-10/Push B.	1-10/Push B./Dali
80644	Module 50 IRA 2 Reflector 5W (500mA)	800040	800043*	800042*
80629	Module 50 IRA 2 Reflector 7W (350mA)	3 - 4 modules	2 - 6 modules	2 - 6 modules
80630	Module 50 DIMITRA 2 Reflector HO 5W (500mA)	1 - 2 modules	1 - 3 modules	1 - 3 modules
80631	Module 50 ARTEMIS 2 Diffuser Prismatic 5W (500mA)	3 - 4 modules	2 - 6 modules	2 - 6 modules
80632	Module 50 ARTEMIS 2 Diffuser Prismatic 7W (350mA)	3 - 4 modules	2 - 6 modules	2 - 6 modules
80633	Module 50 ATHINA 2 Diffuser Opal 5W (500mA)	1 - 2 modules	1 - 3 modules	1 - 3 modules
80634	Module 50 ATHINA 2 Diffuser Opal 7W (350mA)	3 - 4 modules	2 - 6 modules	2 - 6 modules
80635	Module 50 VENUS 2 Lens 3W (350mA)	1 - 2 modules	1 - 3 modules	1 - 3 modules
80635	Module 50 VENUS 2 Lens 6W (700mA)	2 - 4 modules	2 - 7 modules	2 - 7 modules
80635	Module 50 VENUS 2 Lens 6W (700mA)	2 - 4 modules	2 - 7 modules	2 - 7 modules

12V TRANSFORMERS		
Modules CODES	MODULES	Transf. CODES
806053	Module 50 G5,3 12V up to 70W	800006
806053	Module 50 G5,3 12V up to 105W	800007

Please order modules and drivers separately  
 \* Please order synchronization cable for each dimmer driver separately - Code: 800044 (4m)

## T7600



T7600 is a recessed trimless spot, with symmetric or asymmetric distribution. It can satisfy multiple lighting requirements thanks to its wide variety of modules, which makes it a perfect choice for houses, galleries, museums and retail areas.

A LED version is also available and it is guaranteed by the use of last generation light sources, which ensure excellent performance with maximum energy efficiency. This, in combination with an efficient thermal management, makes T7600 a warranty for premium lighting with LED technology.

### Technical Features

- Aluminium body, painted electrostatically in selected colour or plated.
- Steel adjustable lamp base.
- Symmetrical and asymmetrical versions.
- Easy mounting.

**Upon request:**

Available with highest colour rendering index (CRI)

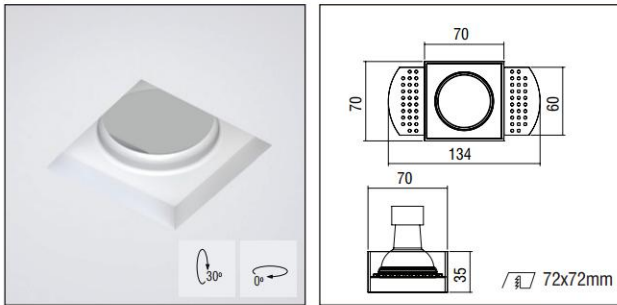
**For LED Version**

- Big range of aluminium reflector, lens, diffusers.
- Pure light without IR/UV radiation.
- 3W up to 7W wattage range and 300 up to 825 luminous flux range.
- Die cast aluminum heatsink anodized.
- Operation life: 50,000 hours with efficiency > 70% of the initial luminous flux.
- Connection for operation with Constant Current.



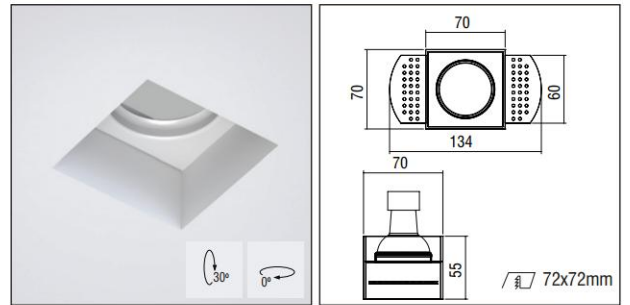
**T7600**

**T7600 - Low Fitting**



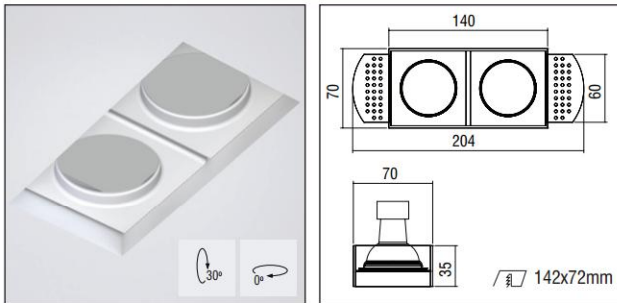
Code	Description	Kg
88040	T7600 LOW	0,135

**T7600 - High Fitting**



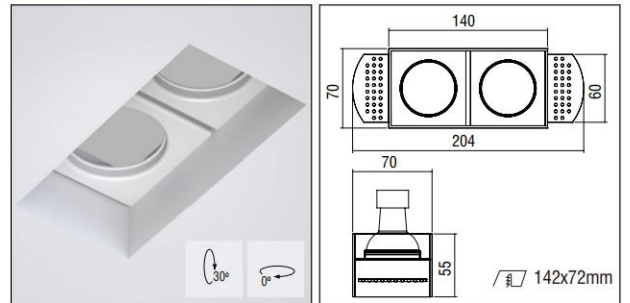
Code	Description	Kg
88041	T7600 HIGH	0,215

**T7610 - Low Fitting**



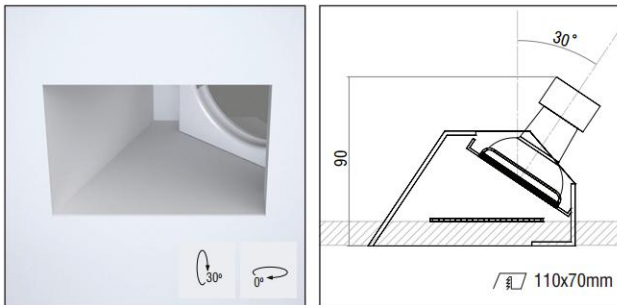
Code	Description	Kg
88042	T7610 LOW	0,250

**T7610 - High Fitting**



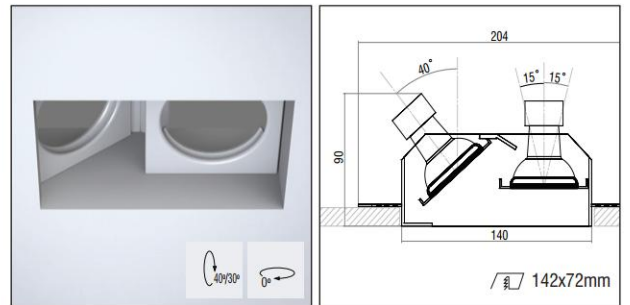
Code	Description	Kg
88043	T7610 HIGH	0,370

**T7601 - Asymmetric Fitting**



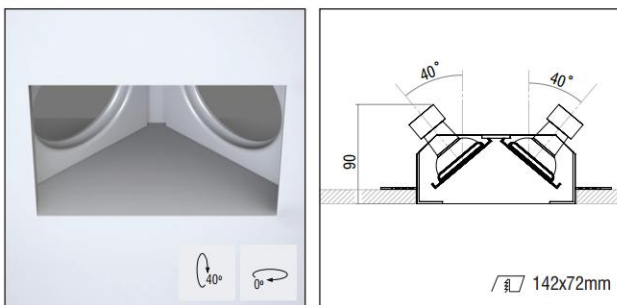
Code	Description	Kg
88044	T7601 AS	0,265

**T7611 - Asymmetric Fitting**



Code	Description	Kg
88045	T7611 AS	0,335

**T7612 - Asymmetric Fitting**



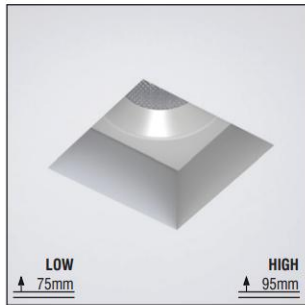
Code	Description	Kg
88046	T7612 AS	0,335



T7600

T7600 High + Module 50 ARTEMIS 2 Diffuser Prismatic

Module 50 ARTEMIS 2 Diffuser Prismatic



CE	F	850°C	IP 40
30°	0°	12.5mm	
D			
LED	5 YEAR WARRANTY	ta 25°C	350/500mA

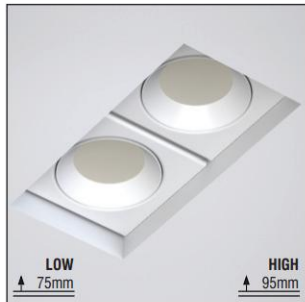
- Beam: Diffuser.
- 5W power consumption driven at 500mA.
- 7W power consumption driven at 350mA.
- Efficiency:
  - 5W: 4000 K: 419 Lumen, CRI: min. 80
  - 5W: 3000 K: 419 Lumen, CRI: min. 80
  - 7W: 4000 K: 825 Lumen, CRI: min. 80
  - 7W: 3000 K: 720 Lumen, CRI: min. 80
- Maximum: 118 Lm/W

Code	Description	Kg
80631	Module 50 ARTEMIS 2 5W Diffuser Prismatic	0,150
80632	Module 50 ARTEMIS 2 7W Diffuser Prismatic	0,150



T7610 Low + Module 50 ATHINA 2 Diffuser Opal

Module 50 ATHINA 2 Diffuser Opal



CE	F	850°C	IP 40
30°	0°	12.5mm	
D			
LED	5 YEAR WARRANTY	ta 25°C	350/500mA

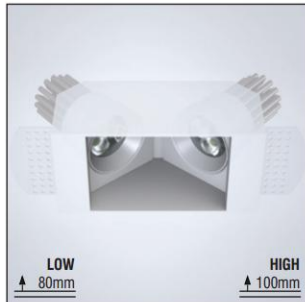
- Beam: Diffuser.
- 5W power consumption driven at 500mA.
- 7W power consumption driven at 350mA.
- Efficiency:
  - 5W: 4000 K: 419 Lumen, CRI: min. 80
  - 5W: 3000 K: 419 Lumen, CRI: min. 80
  - 7W: 4000 K: 825 Lumen, CRI: min. 80
  - 7W: 3000 K: 720 Lumen, CRI: min. 80
- Maximum: 118 Lm/W

Code	Description	Kg
80633	Module 50 ATHINA 2 5W Diffuser Opal	0,150
80634	Module 50 ATHINA 2 7W Diffuser Opal	0,150



T7612 + Module 50 VENUS 2 Lens

Module 50 VENUS 2 Lens



CE	F	850°C	IP 40
40°	0°	12.5mm	
LED	5 YEAR WARRANTY	ta 25°C	350/700mA

- Lens: Spot, Medium, Wide.
- 3W power consumption driven at 350mA.
- 6W power consumption driven at 700mA.
- Efficiency:
  - 3W: 4000 K: 321 Lumen, CRI: min. 75
  - 3W: 3000 K: 300 Lumen, CRI: min. 80
  - 6W: 4000 K: 600 Lumen, CRI: min. 75
  - 6W: 3000 K: 570 Lumen, CRI: min. 80
- Maximum: 107 Lm/W

Code	Description	Kg
80635	Module 50 VENUS 2 3W/6W Lens	0,150



LED COLOUR CODES:

2 Warm 3 Neutral

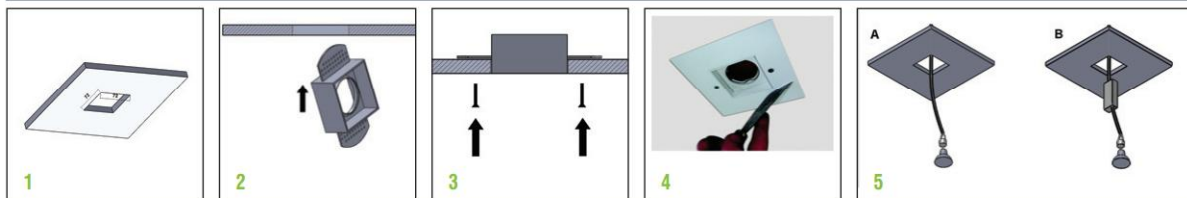
BEAM CODES:

00 diffuser 01 spot 02 medium 03 wide

Colour Codes:

0 Colours 1 White 2 Titan 3 Black 4 Chrome 5 matt Alum.

INSTALLATION



T7600

CODES	MODULES	DRIVERS						
		350mA 8W	350mA 15W	350mA 25W	500mA 6W	500mA 16W	700mA 14W	700mA 30W
		70x35x21	120x35x19	125x79x22	70x35x21	115x45x27,5	158x21x18	156x50x33
800020	800022	800041	800024	800031	800026	800032		
80644	Module 50 IRA 2 Reflector 5W (500mA)				1 module	2 - 3 modules		
80629	Module 50 IRA 2 Reflector 7W (350mA)	1 module	1 - 2 modules	1 - 3 modules				
80630	Module 50 DIMITRA 2 Reflector HO 5W (500mA)				1 module	2 - 3 modules		
80631	Module 50 ARTEMIS 2 Diffuser Prismatic 5W (500mA)				1 module	2 - 3 modules		
80632	Module 50 ARTEMIS 2 Diffuser Prismatic 7W (350mA)	1 module	1 - 2 modules	1 - 3 modules				
80633	Module 50 ATHINA 2 Diffuser Opal 5W (500mA)				1 module	2 - 3 modules		
80634	Module 50 ATHINA 2 Diffuser Opal 7W (350mA)	1 module	1 - 2 modules	1 - 3 modules				
80635	Module 50 VENUS 2 Lens 3W (350mA)	1 - 2 modules	3 - 4 modules					
80635	Module 50 VENUS 2 Lens 6W (700mA)						1 - 2 modules 3 - 4 modules	

DRIVERS DIMMER		
350mA 15W 500mA 22W 700mA 30W	350mA 25W 500mA 35W 700mA 50W	350mA 25W 500mA 35W 700mA 50W
145x40x28	125x79x22	125x79x22
1-10/ Push B.	1-10/ Push B.	1-10/ Push B./Dial

12V TRANSFORMERS		
Modules CODES	MODULES	Transf. CODES
806053	Module 50 G5,3 12V up to 70W	800006
806053	Module 50 G5,3 12V up to 105W	800007

CODES	MODULES	800040	800043*	800042*
80644	Module 50 IRA 2 Reflector 5W (500mA)	3 - 4 modules	2 - 6 modules	2 - 6 modules
80629	Module 50 IRA 2 Reflector 7W (350mA)	1 - 2 modules	1 - 3 modules	1 - 3 modules
80630	Module 50 DIMITRA 2 Reflector HO 5W (500mA)	3 - 4 modules	2 - 6 modules	2 - 6 modules
80631	Module 50 ARTEMIS 2 Diffuser Prismatic 5W (500mA)	3 - 4 modules	2 - 6 modules	2 - 6 modules
80632	Module 50 ARTEMIS 2 Diffuser Prismatic 7W (350mA)	1 - 2 modules	1 - 3 modules	1 - 3 modules
80633	Module 50 ATHINA 2 Diffuser Opal 5W (500mA)	3 - 4 modules	2 - 6 modules	2 - 6 modules
80634	Module 50 ATHINA 2 Diffuser Opal 7W (350mA)	1 - 2 modules	1 - 3 modules	1 - 3 modules
80635	Module 50 VENUS 2 Lens 3W (350mA)	2 - 4 modules	2 - 7 modules	2 - 7 modules
80635	Module 50 VENUS 2 Lens 6W (700mA)	2 - 4 modules	2 - 7 modules	2 - 7 modules

Please order modules and drivers separately

\* Please order synchronization cable for each dimmer driver separately - Code: 800044 (4m)



T7600



**SOL 1 MINI - SOL 1Q MINI**

A recessed compact trimless spot with rotation. It can satisfy multiple lighting requirements thanks to its wide variety of modules, which makes it a perfect choice for houses, galleries, museums and retail areas.

A LED version is also available and it is guaranteed by the use of last generation light sources, which ensure excellent performance with maximum energy efficiency. This, in combination with an efficient thermal management, makes SOL 1 MINI & SOL 1Q MINI a warranty for premium lighting with LED technology.

**Technical Features**

- Trimless recessing frame, in round or square shape, painted electrostatically in selected colour from die-cast aluminium.
- Double internal adjustable ring from die-cast aluminium.
- Easy mounting.

**Upon request:**

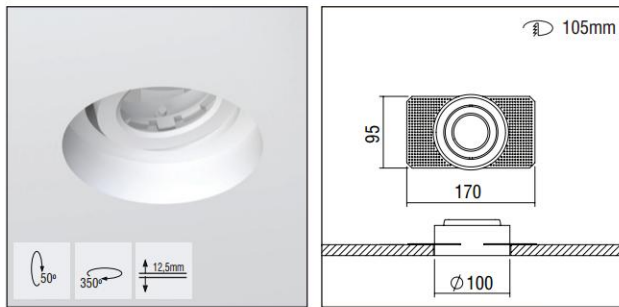
Available with highest colour rendering index (CRI)

**For LED Version**

- Big range of aluminium reflector, lens, diffusers.
- Pure light without IR/UV radiation.
- 3W up to 7W wattage range and 300 up to 825 luminous flux range.
- Die cast aluminum heatsink anodized.
- Operation life: 50,000 hours with efficiency > 70% of the initial luminous flux.
- Connection for operation with Constant Current.

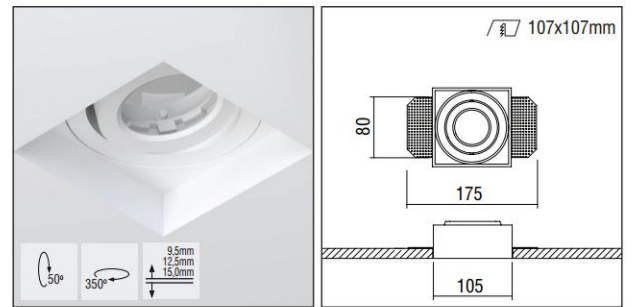
SOL 1 MINI - SOL 1Q MINI

SOL 1 - Mini Fitting






Code	Description	Kg
86763	SOL 1 Mini	0,270

SOL 1Q Mini Fitting

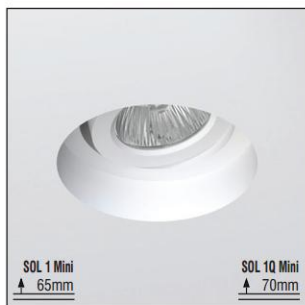


Code	Description	Kg
86764	SOL 1Q Mini	0,400

EXAMPLE

					
<b>CODE</b>	<b>PIECE</b>	<b>CODE</b>	<b>PIECE</b>	<b>CODE</b>	<b>PIECE</b>
86763	1	80607	1	800026	1

SOL 1 - Mini + G5.3

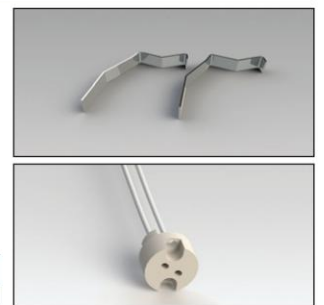


CE	F	850°C	IP 20
50°	350°		
PAR 16	LED	FLUO	

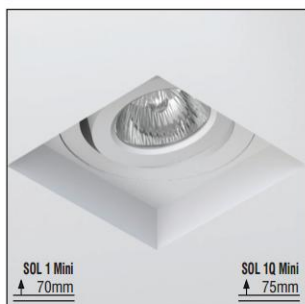
- Simple version for incandescent halogen max.50W 12V (QR-CBC 51).

Code	Description	Kg
806055	Lampholder G5,3 + Safety Lamp Clip	0,020

G5.3 LAMPHOLDER + CLIP



SOL 1Q - Mini + GU10

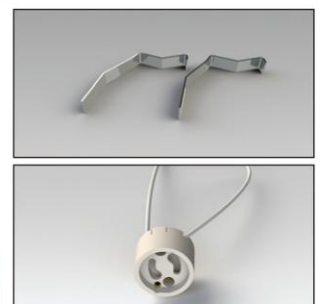


CE	F	850°C	IP 20
50°	350°		
PAR 16	LED	FLUO	

- Simple version for incandescent halogen max.50W 230V (PAR16).

Code	Description	Kg
806054	Lampholder GU10 + Safety Lamp Clip	0,020

GU10 LAMPHOLDER + CLIP



SOL 1 - Mini + Module 50 IRA Reflector



CE	F	850°C	IP 20
0°/50°	0°	1-16mm	
LED	350/500mA	ta 25°C	

- Reflectors: 7W: Medium - Wide / 5W: Medium  
 - 5W power consumption driver at 500mA.  
 - 7W power consumption driven at 350mA.  
 - Efficiency: 5W: 4000 K: 419 Lumen, CRI: min. 80  
 5W: 3000 K: 419 Lumen, CRI: min. 80  
 7W: 4000 K: 825 Lumen, CRI: min. 80  
 7W: 3000 K: 720 Lumen, CRI: min. 80  
 Maximum: 118 Lm/W

Code	Description	Kg
80643	Module 50 IRA 5W Reflector	0,120
80608	Module 50 IRA 7W Reflector	0,120

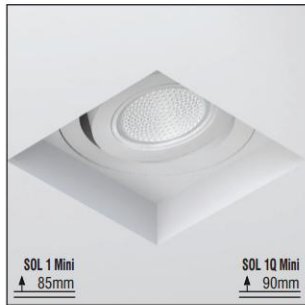
Module 50 IRA Reflector



SOL 1 MINI - SOL 1Q MINI

SOL 1Q - Mini + Module 50 DIMITRA Reflector HO

Module 50 DIMITRA Reflector HO



CE	F	850°C	IP 40
50°	350°		
LED	5 YEAR WARRANTY	ta 25°C	500mA

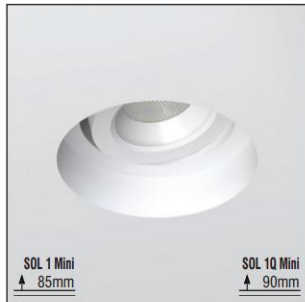
- Reflectors: Spot, Medium, Wide.
- 5W power consumption driven at 500mA.
- Efficiency:
  - 5W: 4000 K: 419 Lumen, CRI: min. 80
  - 5W: 3000 K: 419 Lumen, CRI: min. 80
- Maximum: 84 Lm/W

Code	Description	Kg
80609	Module 50 DIMITRA 5W Reflector HO	0,150



SOL 1 - Mini + Module 50 ARTEMIS Diffuser Prismatic

Module 50 ARTEMIS Diffuser Prismatic



CE	F	850°C	IP 40
50°	350°		
D			
LED	5 YEAR WARRANTY	ta 25°C	350/500mA

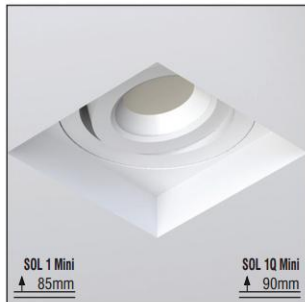
- Beam: Diffuser.
- 5W power consumption driven at 500mA.
- 7W power consumption driven at 350mA.
- Efficiency:
  - 5W: 4000 K: 419 Lumen, CRI: min. 80
  - 5W: 3000 K: 419 Lumen, CRI: min. 80
  - 7W: 4000 K: 825 Lumen, CRI: min. 80
  - 7W: 3000 K: 720 Lumen, CRI: min. 80
- Maximum: 118 Lm/W

Code	Description	Kg
80625	Module 50 ARTEMIS 5W Diffuser Prismatic	0,150
80626	Module 50 ARTEMIS 7W Diffuser Prismatic	0,150



SOL 1Q - Mini + Module 50 ATHINA Diffuser Opal

Module 50 ATHINA Diffuser Opal



CE	F	850°C	IP 40
50°	350°		
D			
LED	5 YEAR WARRANTY	ta 25°C	350/500mA

- Beam: Diffuser.
- 5W power consumption driven at 500mA.
- 7W power consumption driven at 350mA.
- Efficiency:
  - 5W: 4000 K: 419 Lumen, CRI: min. 80
  - 5W: 3000 K: 419 Lumen, CRI: min. 80
  - 7W: 4000 K: 825 Lumen, CRI: min. 80
  - 7W: 3000 K: 720 Lumen, CRI: min. 80
- Maximum: 118 Lm/W

Code	Description	Kg
80627	Module 50 ATHINA 5W Diffuser Opal	0,150
80628	Module 50 ATHINA 7W Diffuser Opal	0,150



SOL 1 - Mini + Module 50 VENUS Lens

Module 50 VENUS Lens



CE	F	850°C	IP 40
50°	350°		
LED	5 YEAR WARRANTY	ta 25°C	350/700mA

- Lens: Spot, Medium, Wide.
- 3W power consumption driven at 350mA.
- 6W power consumption driven at 700mA.
- Efficiency:
  - 3W: 4000 K: 321 Lumen, CRI: min. 75
  - 3W: 3000 K: 300 Lumen, CRI: min. 80
  - 6W: 4000 K: 600 Lumen, CRI: min. 75
  - 6W: 3000 K: 570 Lumen, CRI: min. 80
- Maximum: 107 Lm/W

Code	Description	Kg
80607	Module 50 VENUS 3W/6W Lens	0,150



LED COLOUR CODES:

2 Warm 3 Neutral

BEAM CODES:

00 diffuser 01 spot 02 medium 03 wide

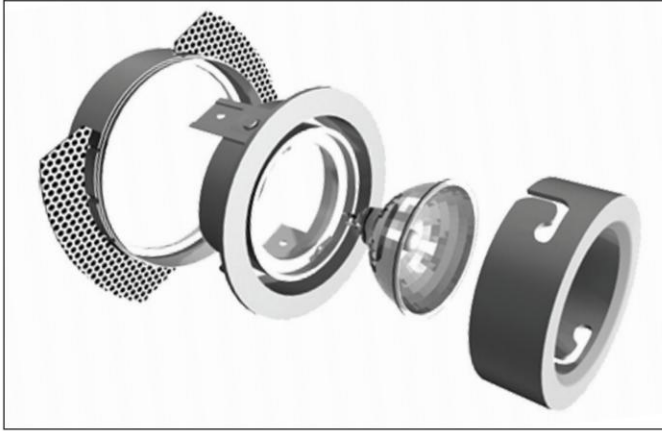
Colour Codes:

0 Colours 1 White 2 Titan 3 Black 4 Chrome 5 matt Alum.

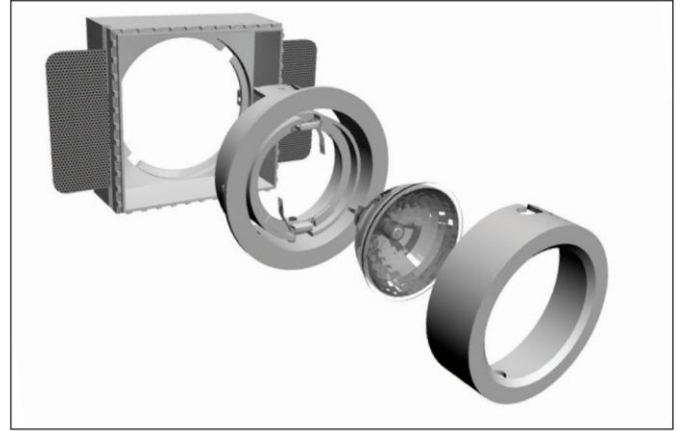


SOL 1 MINI - SOL 1Q MINI

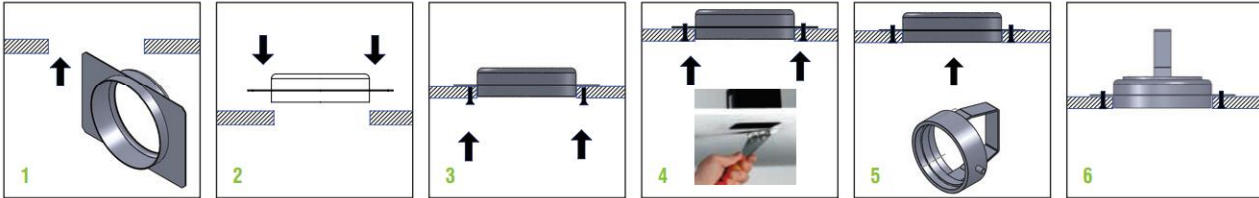
SOL 1 - Mini



SOL 1Q - Mini



INSTALLATION



CODES	MODULES	DRIVERS						
		350mA 8W	350mA 15W	350mA 25W	500mA 6W	500mA 16W	700mA 14W	700mA 30W
		70x35x21	120x35x19	125x79x22	70x35x21	115x45x27,5	158x21x18	156x50x33
80643	Module 50 IRA Reflector 5W (500mA)				1 module	2 - 3 modules		
80608	Module 50 IRA Reflector 7W (350mA)	1 module	1 - 2 modules	1 - 3 modules				
80609	Module 50 DIMITRA Reflector HO 5W (500mA)				1 module	2 - 3 modules		
80625	Module 50 ARTEMIS Diffuser Prismatic 5W (500mA)				1 module	2 - 3 modules		
80626	Module 50 ARTEMIS Diffuser Prismatic 7W (350mA)	1 module	1 - 2 modules	1 - 3 modules				
80627	Module 50 ATHINA Diffuser Opal 5W (500mA)				1 module	2 - 3 modules		
80628	Module 50 ATHINA Diffuser Opal 7W (350mA)	1 module	1 - 2 modules	1 - 3 modules				
80607	Module 50 VENUS Lens 3W (350mA)	1 - 2 modules	3 - 4 modules					
80607	Module 50 VENUS Lens 6W (700mA)						1 - 2 modules	3 - 4 modules

CODES	MODULES	DRIVERS DIMMER		
		350mA 15W 500mA 22W 700mA 30W	350mA 25W 500mA 35W 700mA 50W	350mA 25W 500mA 35W 700mA 50W
		145x40x28	125x79x22	125x79x22
		1-10/Push B.	1-10/Push B.	1-10/Push B./Dali
80643	Module 50 IRA Reflector 5W (500mA)	3 - 4 modules	2 - 6 modules	2 - 6 modules
80608	Module 50 IRA Reflector 7W (350mA)	1 - 2 modules	1 - 3 modules	1 - 3 modules
80609	Module 50 DIMITRA Reflector HO 5W (500mA)	3 - 4 modules	2 - 6 modules	2 - 6 modules
80625	Module 50 ARTEMIS Diffuser Prismatic 5W (500mA)	3 - 4 modules	2 - 6 modules	2 - 6 modules
80626	Module 50 ARTEMIS Diffuser Prismatic 7W (350mA)	1 - 2 modules	1 - 3 modules	1 - 3 modules
80627	Module 50 ATHINA Diffuser Opal 5W (500mA)	3 - 4 modules	2 - 6 modules	2 - 6 modules
80628	Module 50 ATHINA Diffuser Opal 7W (350mA)	1 - 2 modules	1 - 3 modules	1 - 3 modules
80607	Module 50 VENUS Lens 3W (350mA)	2 - 4 modules	2 - 7 modules	2 - 7 modules
80607	Module 50 VENUS Lens 6W (700mA)	2 - 4 modules	2 - 7 modules	2 - 7 modules

12V TRANSFORMERS		
Modules CODES	MODULES	Transf. CODES
806051	Module 50 G5,3 12V up to 70W	800006
806051	Module 50 G5,3 12V up to 105W	800007

Please order modules and drivers separately

\* Please order synchronization cable for each dimmer driver separately - Code: 800044 (4m)

**GESSE**

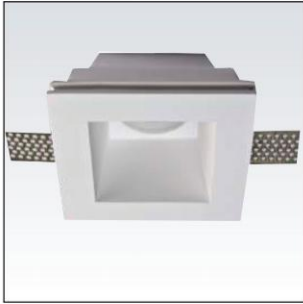
Gessi is a trimless recessed fixed spot, with symmetric or asymmetric distribution. It is made of plaster, which can be painted, so when mounted to the ceiling it completely disappears.

**Technical Features**

- Trimless body of plaster.
- Symmetrical and asymmetrical versions.
- Square or round shape.
- Easy mounting.

GESSI

GESSI G028



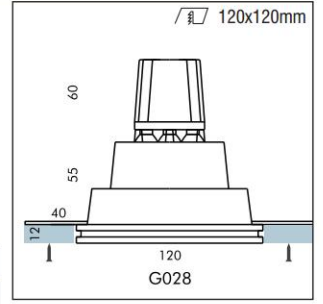
CE F IP 20

12mm

PAR 16 LED FLUO

- Plaster trimless body.
- Symmetrical square shape.

Code	Description	Kg
881201	GESSI G028 1x50W PAR16 (LED, FLUO) / GU10	0,750



GESSI G028AS



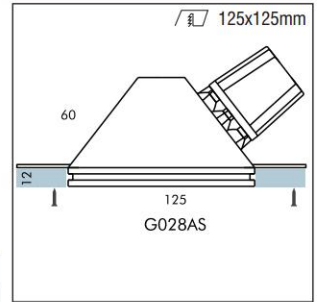
CE F IP 20

12mm

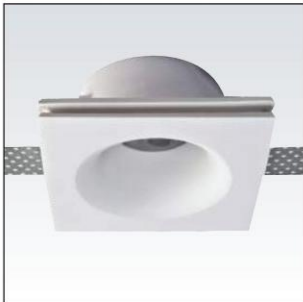
PAR 16 LED FLUO

- Plaster trimless body.
- Asymmetrical square shape.

Code	Description	Kg
881211	GESSI G028AS 1x50W PAR16 (LED, FLUO) / GU10	0,750



GESSI G111



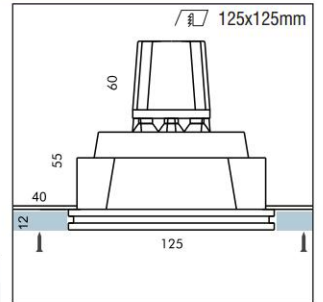
CE F IP 20

12mm

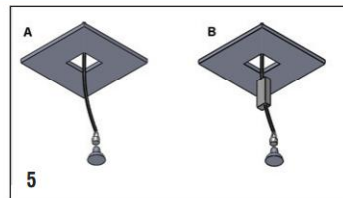
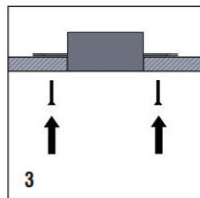
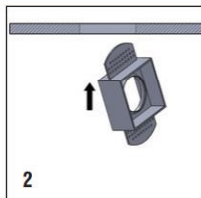
PAR 16 LED FLUO

- Plaster trimless body.
- Symmetrical round shape.

Code	Description	Kg
881221	GESSI G111 1x50W PAR16 (LED, FLUO) / GU10	0,750



INSTALLATION



**KADRO, CORONA, SOL with CLUB Mini LED**

The trimless CLUB SOL Mini and the elegant deep CORONA & KADRO luminaires highlight impressively premises, such as shopping malls, stores, hotels, exhibition halls, museums etc.

They are compact, in round or square version and efficient and they have excellent colour quality and high-precision light distribution.

Their last generation LED chip in combination with an efficient thermal management ensure the excellent performance of the luminaire and a maximum energy efficiency.

### Technical Features

**- CLUB SOL:**

Trimless recessing frame, in round or square shape, painted electrostatically in selected colour from die-cast aluminium.

**- CORONA CLUB:**

Deep recessing frame, in round or square shape, painted electrostatically in selected colour from die-cast aluminium.

**- KADRO CLUB:**

Deep recessing frame, in square shape, painted electrostatically in selected colour from steel.

- Internal rotatable spot from aluminium profile.
- Easy mounting.
- High efficient lens in Spot, Medium, Wide versions.
- Last generation extra efficient led light sources.
- Pure light without IR/UV radiation.

- Operation life: 50,000 hours with efficiency > 70% of the initial luminous flux.

- Connection for operation with Constant Current.

**Upon request:**

Available with highest colour rendering index (CRI).

KADRO, CORONA, SOL with CLUB Mini LED

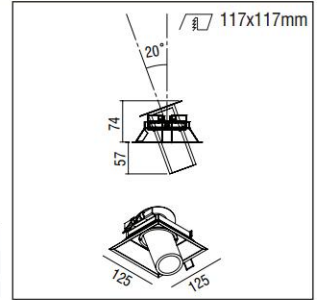
KADRO CLUB Mini



CE	F	850°C	IP 40
40°	350°	5-40mm	
LED	5 YEAR WARRANTY	ta 25°C	500mA

- Lens: Spot, Medium, Wide.
- Reflector in Medium version.
- 5W power consumption driven at 500mA.
- Efficiency:  
4000 K: 450 Lumen, CRI: min. 75  
3000 K: 420 Lumen, CRI: min. 80  
Maximum: 90 Lm/W

Code	Description	Kg
86733	KADRO CLUB MINI LED 5W (driver not included)	0,400
86736	KADRO CLUB MINI LED 5W Reflector (driver not included)	0,400



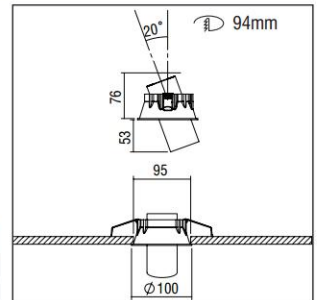
CORONA CLUB Mini



CE	F	850°C	IP 40
40°	350°	12.5mm	
LED	5 YEAR WARRANTY	ta 25°C	500mA

- Lens: Spot, Medium, Wide.
- Reflector in Medium version.
- 5W power consumption driven at 500mA.
- Efficiency:  
4000 K: 450 Lumen, CRI: min. 75  
3000 K: 420 Lumen, CRI: min. 80  
Maximum: 90 Lm/W

Code	Description	Kg
86731	CORONA CLUB MINI LED 5W (driver not included)	0,500
86734	CORONA CLUB MINI LED 5W Reflector (driver not included)	0,500



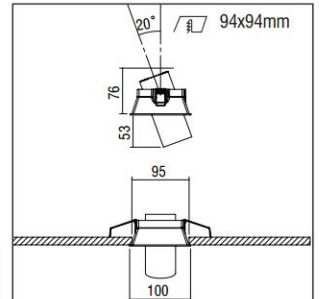
CORONA Q CLUB Mini



CE	F	850°C	IP 40
40°	350°	12.5mm	
LED	5 YEAR WARRANTY	ta 25°C	500mA

- Lens: Spot, Medium, Wide.
- Reflector in Medium version.
- 5W power consumption driven at 500mA.
- Efficiency:  
4000 K: 450 Lumen, CRI: min. 75  
3000 K: 420 Lumen, CRI: min. 80  
Maximum: 90 Lm/W

Code	Description	Kg
86732	CORONA Q CLUB MINI LED 5W (driver not included)	0,650
86735	CORONA Q CLUB MINI LED 5W Reflector (driver not included)	0,650



KADRO, CORONA, SOL with CLUB Mini LED

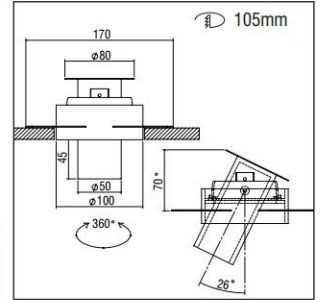
CLUB SOL Mini



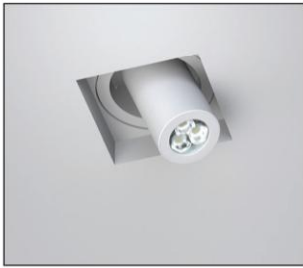
CE	F	850°C	IP 40
50°	360°	12.5mm	
LED	5 YEAR WARRANTY	ta 25°C	500mA

- Lens: Spot, Medium, Wide.
- Reflector in Medium version.
- 5W power consumption driven at 500mA.
- Efficiency:  
4000 K: 450 Lumen, CRI: min. 75  
3000 K: 420 Lumen, CRI: min. 80  
Maximum: 90 Lm/W

Code	Description	Kg
86891	CLUB-SOL MINI LED 5W (driver not included)	0,500
86890	CLUB-SOL MINI LED 5W Reflector (driver not included)	0,500



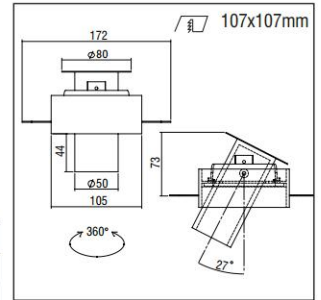
CLUB SOL Q Mini



CE	F	850°C	IP 40
50°	360°	9.5mm 12.5mm 15.5mm	
LED	5 YEAR WARRANTY	ta 25°C	500mA

- Lens: Spot, Medium, Wide.
- Reflector in Medium version.
- 5W power consumption driven at 500mA.
- Efficiency:  
4000 K: 450 Lumen, CRI: min. 75  
3000 K: 420 Lumen, CRI: min. 80  
Maximum: 90 Lm/W

Code	Description	Kg
86892	CLUB-SOL Q MINI LED 5W (driver not included)	0,650
86893	CLUB-SOL Q MINI LED 5W Reflector (driver not included)	0,650



LED COLOUR CODES:

2 Warm 3 Neutral

BEAM CODES:

01 spot 02 medium 03 wide

Colour Codes:

0 Colours 1 White 2 Titan 3 Black

DRIVERS							
LED LUMINAIRES DESCRIPTION	N° Modules min. max.		DIMENSIONS mm				
						CODE	
KADRO, CORONA, SOL with CLUB Mini LED 5W	1	1	500mA	6W	IP20	70 x 35 x 21	800024
KADRO, CORONA, SOL with CLUB Mini LED 5W	2	3	500mA	16W	IP20	115 x 45 x 27,5	800031

DIMMER DRIVERS							
LED LUMINAIRES DESCRIPTION	N° Modules min. max.		DIMMER TYPE	DIMENSIONS mm			
						CODE	
KADRO, CORONA, SOL with CLUB Mini LED 5W	1	3	500mA 22W	IP20	1-10Vdc/Push Button	145 x 40 x 28	800040



**FLAT 40**

FLAT 40 is a recessed compact spot with rotation. It can satisfy multiple lighting requirements thanks to its wide variety of modules, and it highlights impressively premises, such as shopping malls, stores, hotels, exhibition halls, museums etc.

A LED version is also available and it is guaranteed by the use of last generation light sources, which ensure excellent performance with maximum energy efficiency. This, in combination with an efficient thermal management, makes FLAT 40 a warranty for premium lighting with LED technology.

**Technical Features**

- Aluminium frame, painted electrostatically in selected colour or plated.
- Outer adjustable ring from die-cast aluminium.
- Inner ring for easy lamp replacement.
- High pure aluminium reflectors in Spot, Medium, Wide versions.
- Tempered protection glass for HIT-TC-CE version.
- Easy mounting with clips.

**Upon request:**

Available with highest colour rendering index (CRI)

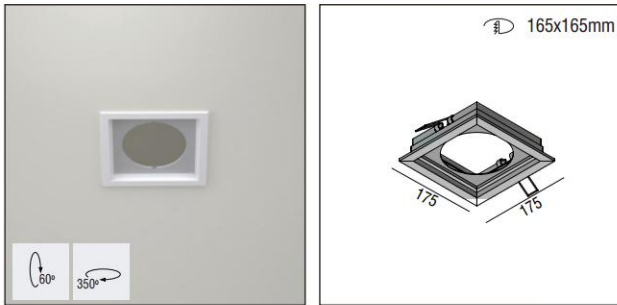
**For LED Version**

- Pure light without IR/UV radiation.
- 7W up to 10,5W wattage range and 720 up to 1140 luminous flux range.
- Aluminum heatsink anodized.
- Operation life: 50,000 hours with efficiency > 70% of the initial luminous flux.
- Connection for operation with Constant Current.



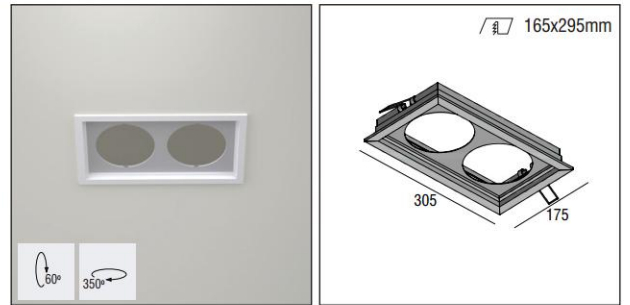
FLAT 40

FLAT 40 1x... Fitting



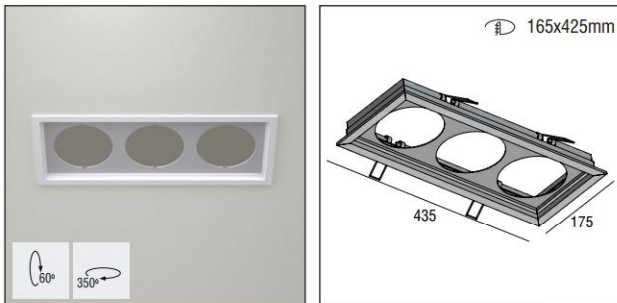
Code	Description	Kg
86851	FLAT 40 1x...	0,240

FLAT 41 2x... Fitting






Code	Description	Kg
86852	FLAT 41 2x...	0,360

FLAT 42 3x... Fitting



Code	Description	Kg
86853	FLAT 42 3x...	0,520

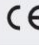


EXAMPLE




 <p>FLAT 41 2x...</p>		 <p>MODULE 40 THETIS HIT-TC-CE/PGJ5</p>		 <p>BALLAST 20W ELECTRONIC</p>	
CODE	PIECE	CODE	PIECE	CODE	PIECE
86852	1	80601	2	498113	2




FLAT 40+ Module 40 THETIS HIT-TC-CE


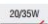
Module 40 THETIS HIT-TC-CE

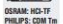
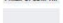


- Version for HIT-TC-CE/GU6,5.
- Reflector: Spot, Medium, Wide.
- Tempered protection glass.

Code	Description	Kg
80601	MODULE 40 THETIS HIT-TC-CE/GU6,5 SPOT	0,250
80646	MODULE 40 THETIS HIT-TC-CE/GU6,5 MEDIUM	0,250
80647	MODULE 40 THETIS HIT-TC-CE/GU6,5 WIDE	0,250



FLAT 40

FLAT 41+ Module 40 HERCULES LED REFLECTOR

Module 40 HERCULES LED REFLECTOR



CE	F	850°C	IP 20
60°	350°	5-20mm	
LED	ta 25°C	350/500mA	

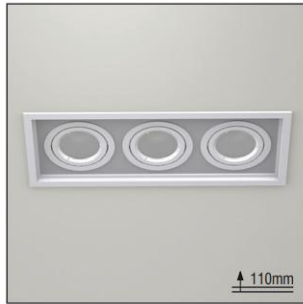
- Reflectors: Spot, Medium, Wide.
- 7W power consumption driven at 350mA.
- 10,5W power consumption driven at 500mA.
- Efficiency:
  - 7W: 4000 K: 810 Lumen, CRI: min. 80, 116 Lm/W
  - 7W: 3000 K: 720 Lumen, CRI: min. 80, 103 Lm/W
  - 10,5W: 4000 K: 1140 Lumen, CRI: min. 80, 109 Lm/W
  - 10,5W: 3000 K: 1000 Lumen, CRI: min. 80, 95 Lm/W

Code	Description	Kg
80603	MODULE 40 HERCULES LED REFLECTOR 7/10,5W	0,350



FLAT 42+ Module 40 IASON LED REFLECTOR HO

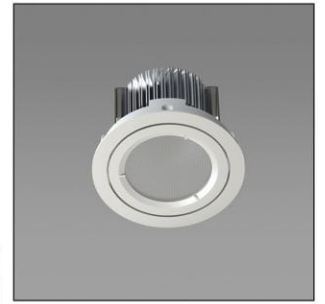
Module 40 IASON LED REFLECTOR HO



CE	F	850°C	IP 20
60°	350°	5-20mm	
LED	ta 25°C	350/500mA	

- Reflectors: Spot, Medium, Wide.
- 7W power consumption driven at 350mA.
- 10,5W power consumption driven at 500mA.
- Efficiency:
  - 7W: 4000 K: 810 Lumen, CRI: min. 80, 116 Lm/W
  - 7W: 3000 K: 720 Lumen, CRI: min. 80, 103 Lm/W
  - 10,5W: 4000 K: 1140 Lumen, CRI: min. 80, 109 Lm/W
  - 10,5W: 3000 K: 1000 Lumen, CRI: min. 80, 95 Lm/W

Code	Description	Kg
80604	MODULE 40 IASON LED REFLECTOR HO 7/10,5W	0,350



LED COLOUR CODES:

2 Warm 3 Neutral

BEAM CODES:

01 spot 02 medium 03 wide

Colour Codes:

0 Colours 1 White 2 Titan 3 Black 4 Chrome 5 matt Alum.

DRIVERS

LED LUMINAIRES DESCRIPTION	N° Modules		DIMENSIONS mm	CODE
	min.	max.		
MODULE 40 THETIS GU6,5	20W	1 1	20W Electronic	498113
MODULE 40 THETIS GU6,5	35W	1 1	35W Electronic	498223
MODULE 40 HERCULES/IASON LED	1x 7W	1 1	350mA 8W IP20 70 x 35 x 21	800020
MODULE 40 HERCULES/IASON LED	2x 7W	1 2	350mA 15W IP20 160 x 22 x 19	800021
MODULE 40 HERCULES/IASON LED	3x 7W	1 3	350mA 25W IP20 123 x 80 x 22	800041
MODULE 40 HERCULES/IASON LED	1x 10,5W	1 1	500mA 12W IP20 120 x 35 x 19	800023
MODULE 40 HERCULES/IASON LED	2x 10,5W	1 2	500mA 30W IP20 160 x 50 x 22	800030
MODULE 40 HERCULES/IASON LED	3x 10,5W	1 3	500mA 32W IP20 123 x 80 x 22	800041

DIMMER DRIVERS

LED LUMINAIRES DESCRIPTION	N° Modules		DIMMER TYPE	DIMENSIONS mm	CODE
	min.	max.			
MODULE 40 HERCULES/IASON	1x, 2x 7W	1 2	350mA 15W IP20 1-10Vdc/Push Button	145 x 40 x 28	800040
MODULE 40 HERCULES/IASON	3x 7W	1 3	350mA 25W IP20 1-10Vdc/Push Button*	123 x 80 x 22	800043
MODULE 40 HERCULES/IASON	3x 7W	1 3	350mA 25W IP20 1-10Vdc/Push Button/Dali*	123 x 80 x 22	800042
MODULE 40 HERCULES/IASON	1x, 2x 10,5W	1 2	500mA 22W IP20 1-10Vdc/Push Button	145 x 40 x 28	800040
MODULE 40 HERCULES/IASON	3x 10,5W	1 3	500mA 32W IP20 1-10Vdc/Push Button*	123 x 80 x 22	800043
MODULE 40 HERCULES/IASON	3x 10,5W	1 3	500mA 32W IP20 1-10Vdc/Push Button/Dali*	123 x 80 x 22	800042

\* Please order synchronization cable for each dimmer driver separately - Code: 800044 (4m)

FLAT 40



**FLAT 60**

FLAT 60 is a recessed compact spot with rotation. It can satisfy multiple lighting requirements thanks to its wide variety of modules, and it highlight impressively premises, such as shopping malls, stores, hotels, exhibition halls, museums etc.

A LED version is also available and it is guaranteed by the use of last generation light sources, which ensure excellent performance with maximum energy efficiency. This, in combination with an efficient thermal management, makes FLAT 60 a warranty for premium lighting with LED technology.

**Technical Features**

- Aluminium frame, painted electrostatically in selected colour or plated.
- Outer adjustable ring from die-cast aluminium.
- Inner ring for easy lamp replacement.
- High pure aluminium reflectors in Spot, Medium, Wide versions.
- Tempered protection glass.
- Easy mounting with clips.

**Upon request:**

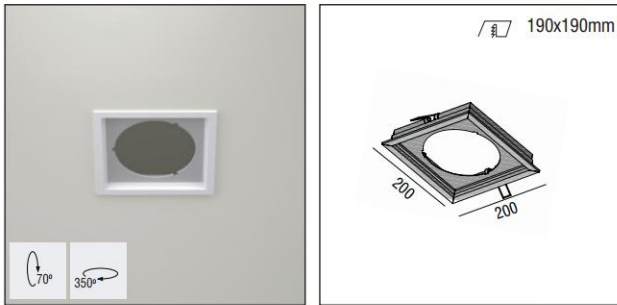
Available with highest colour rendering index (CRI)

**For LED Version**

- Pure light without IR/UV radiation.
- Die cast aluminum heatsink anodized.
- Efficient thermal management.
- 1800 lumen in 22W neutral edition or 2830 lumen in 30W.
- Operation life: 50,000 hours with efficiency > 70% of the initial luminous flux.
- Connection for operation with Constant Current.

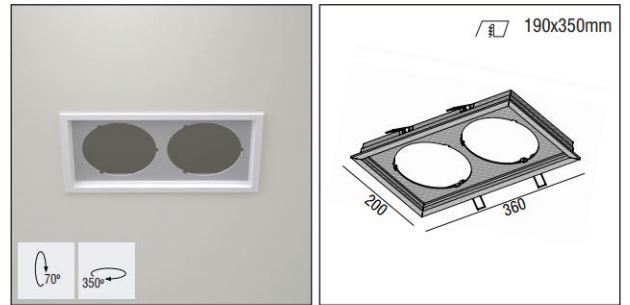
FLAT 60

FLAT 60 1x... Fitting



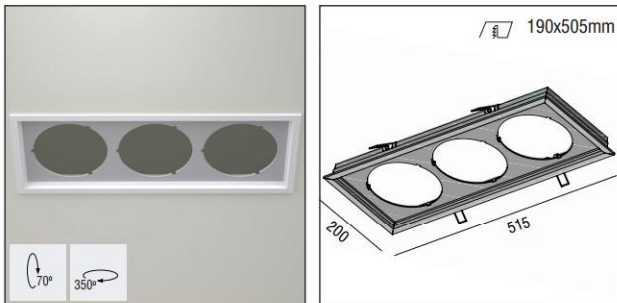
Code	Description	Kg
86861	FLAT 60 1x...	0,350

FLAT 61 2x... Fitting



Code	Description	Kg
86862	FLAT 61 2x...	0,530

FLAT 62 3x... Fitting



Code	Description	Kg
86863	FLAT 62 3x...	0,710

EXAMPLE

FLAT 62 3x...		MODULE FLAT 60 HIT-CE/G12 MEDIUM		BALLAST 70W ELECTRONIC	
CODE	PIECE	CODE	PIECE	CODE	PIECE
86863	1	80611	3	498323	3

FLAT 60 + Module 60 POSIDON HI-PAR 111

Module 60 POSIDON HI-PAR 111



CE	F	850°C	IP 20
70°	350°	5-20mm	
GERMANY: HCS-R 111 PHILIPS: COM-R 111		35/70W CG	

- Version for HI-PAR 111/GX8,5.
- Outer adjustable ring from die-cast aluminium.
- Inner ring for easy lamp replacement.

Code	Description	Kg
80615	Module 60 POSIDON HI-PAR 111/GX8.5	0,250



FLAT 60

FLAT 61 + Module 60 DIONISOS QR111

Module 60 DIONISOS QR111



CE	F	850°C	IP 20
70°	350°	5-20mm	
OSRAM HALOPOF 111 PHILIPS ALUOS 111			6070125W 12V

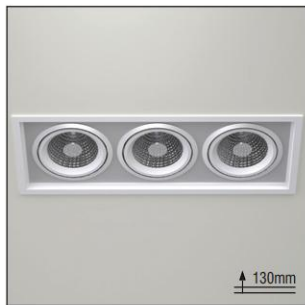
- Version for QR111/G53.
- Outer adjustable ring from die-cast aluminium.
- Inner ring for easy lamp replacement.

Code	Description	Kg
80610	Module 60 DIONISOS QR111/G53	0,250



FLAT 62 + Module 60 APOLLON HIT-CE

Module 60 APOLLON HIT-CE



CE	F	850°C	IP 20
70°	350°	5-20mm	
OSRAM HCD-T PHILIPS COB-T			3570150W CG

- Version for HIT-CE/G12.
- Outer adjustable ring from die-cast aluminium.
- Inner ring for easy lamp replacement.
- High pure aluminium reflectors in Spot, Medium, Wide.
- Tempered protection glass.

Code	Description	Kg
80612	Module 60 APOLLON HIT-CE/G12 SPOT	0,500
80611	Module 60 APOLLON HIT-CE/G12 MEDIUM	0,500
80619	Module 60 APOLLON HIT-CE/G12 WIDE	0,500



FLAT 60 + Module 60 IFESTOS HIT-TC-CE

Module 60 IFESTOS HIT-TC-CE



CE	F	850°C	IP 20
70°	350°	5-20mm	
OSRAM HCD-TC PHILIPS COB-TC			2003570W CG

- Version for HIT-TC-CE/G8,5.
- Outer adjustable ring from die-cast aluminium.
- Inner ring for easy lamp replacement.
- High pure aluminium reflectors in Spot, Medium, Wide.
- Tempered protection glass.

Code	Description	Kg
80614	Module 60 IFESTOS HIT-TC-CE /G8,5 SPOT	0,500
80613	Module 60 IFESTOS HIT-TC-CE /G8,5 MEDIUM	0,500
80620	Module 60 IFESTOS HIT-TC-CE /G8,5 WIDE	0,500



FLAT 61 + Module 60 ARIS LED R111

Module 60 ARIS LED R111



CE	F	850°C	IP 20
70°	350°	5-20mm	
LED			

- Version for LED R111/GU10.
- Outer adjustable ring from die-cast aluminium.
- Inner ring for easy lamp replacement.
- Connection for 230V/50Hz.

Code	Description	Kg
80616	Module 60 ARIS LED R111/GU10/230V	0,300



FLAT 62 + Module 60 DIAS LED

Module 60 DIAS LED



CE	F	850°C	IP 20
70°	350°	5-20mm	
LED			
		ta 25°C	500700mA CG

- Version with LED Module.
  - Outer adjustable ring from die-cast aluminium.
  - Inner ring for easy lamp replacement.
  - 22W power consumption driven at 500mA.
  - 30W power consumption driven at 700mA.
  - Efficiency:
- |      |                                  |
|------|----------------------------------|
| 22W: | 4000 K: 1800 Lumen, CRI: min. 75 |
| 22W: | 3000 K: 1800 Lumen, CRI: min. 80 |
| 30W: | 4000 K: 2830 Lumen, CRI: min. 75 |
| 30W: | 3000 K: 2830 Lumen, CRI: min. 80 |
|      | Maximum: 95 Lm/W                 |

Code	Description	Kg
80618	Module 60 DIAS LED CHIP 22W	0,750
80621	Module 60 DIAS LED CHIP 30W	0,900



FLAT 60

FLAT 60 + Module 60 KRONOS HIT-TC-CE

Module 60 KRONOS HIT-TC-CE



CE	F	850°C	IP 20
60°	350°		
HIT-TC-CE/GU6,5			29/35W CG
OSRAM: HD-TF PHILIPS: COM To			

- Version for HIT-TC-CE/GU6,5.
- Outer adjustable ring from die-cast aluminium.
- Die-cast aluminium spot inside.
- High pure aluminium reflectors in Spot, Medium, Wide.
- Tempered protection glass.

Code	Description	Kg
80648	Module 60 KRONOS HIT-TC-CE /GU6,5 SPOT	0,940
80649	Module 60 KRONOS HIT-TC-CE /GU6,5 MEDIUM	0,940
80650	Module 60 KRONOS HIT-TC-CE /GU6,5 WIDE	0,940



FLAT 60 + Module 60 KRONOS LED

Module 60 KRONOS LED



CE	F	850°C	IP 20
60°	350°		
LED	500mA CG	ta 25°C	

- Version with LED Module.
- Outer adjustable ring from die-cast aluminium.
- Die-cast aluminium spot inside.
- 22W power consumption driven at 500mA.
- Efficiency:  
22W: 4000 K: 1800 Lumen, CRI: min. 75  
22W: 3000 K: 1800 Lumen, CRI: min. 80  
Maximum: 95 Lm/W

Code	Description	Kg
80622	Module 60 KRONOS LED CHIP 22W	0,940



**LED COLOUR CODES:**  
2 Warm 3 Neutral

**BEAM CODES:**  
01 spot 02 medium 03 wide

**Colour Codes:**  
0 Colours 1 White 2 Titan 3 Black 4 Chrome 5 matt Alum.

DRIVERS						
LED LUMINAIRES DESCRIPTION	N° Modules		Description	CODE	min. max.	
	min.	max.				
MODULE 60 IFESTOS G8,5	1	1	20W HIT Electronic	498113		
MODULE 60 APOLLON/IFESTOS/POSIDON G12/G8,5/GX8,5	1	1	35W HIT Electronic	498223		
MODULE 60 APOLLON/IFESTOS/POSIDON G12/G8,5/GX8,5	1	1	35W HIT Magnetic AVO	498222		
MODULE 60 APOLLON/IFESTOS/POSIDON G12/G8,5/GX8,5	1	1	70W HIT Electronic	498323		
MODULE 60 APOLLON/IFESTOS/POSIDON G12/G8,5/GX8,5	1	1	70W HIT Magnetic DISPLAY	498312		
MODULE 60 APOLLON G12	1	1	150W HIT Electronic	498623		
MODULE 60 APOLLON G12	1	1	150W HIT Magnetic DISPLAY	498612		
MODULE 60 DIONISOS G53	1	-	60W 12V DC	800005		
MODULE 60 DIONISOS G53	1	-	70W 12V DC	800006		
MODULE 60 DIONISOS G53	1	-	105W 12V DC	800007		
MODULE 60 DIAS/KRONOS LED 22W CG	1	1	500mA 30W IP20 (dimensions 156 x 50 x 23)	498706		
MODULE 60 DIAS LED 30W CG	1	1	700mA 30W IP20 (dimensions 156 x 50 x 23)	498705		

DIMMER DRIVERS							
LED LUMINAIRES DESCRIPTION	N° Modules		DIMMER TYPE	DIMENSIONS mm	CODE	min. max.	
	min.	max.					
MODULE 60 DIAS/KRONOS LED 22W CG	1	1	500mA 32W IP20	1-10Vdc/Push Button*	123 x 80 x 22	498703	
MODULE 60 DIAS/KRONOS LED 22W CG	1	1	500mA 32W IP20	1-10Vdc/Push Button/Dali*	123 x 80 x 22	498704	
MODULE 60 DIAS LED 30W CG	1	1	700mA 50W IP20	1-10Vdc/Push Button*	123 x 80 x 22	498703	
MODULE 60 DIAS LED 30W CG	1	1	700mA 50W IP20	1-10Vdc/Push Button/Dali*	123 x 80 x 22	498704	

\* Please order synchronization cable for each dimmer driver separately - Code: 800044 (4m)

**FLAT KADRO 40**

FLAT KADRO 40 is a deep recessed compact spot with rotation. It can satisfy multiple lighting requirements thanks to its wide variety of modules, and it highlights impressively premises, such as shopping malls, stores, hotels, exhibition halls, museums etc.

A LED version is also available and it is guaranteed by the use of last generation light sources, which ensure excellent performance with maximum energy efficiency. This, in combination with an efficient thermal management, makes FLAT KADRO 40 a warranty for premium lighting with LED technology.

**Technical Features**

- Aluminium recessing frame, painted electrostatically in selected colour.
- Deep steel cover.
- Outer adjustable ring from die-cast aluminium.
- Inner ring for easy lamp replacement.
- High pure aluminium reflectors in Spot, Medium, Wide versions.
- Tempered protection glass.
- Easy mounting with clips.

**Upon request:**

Available with highest colour rendering index (CRI)

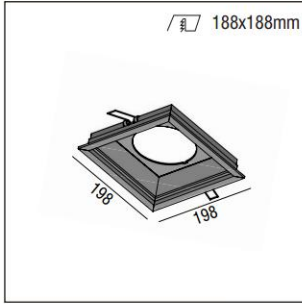
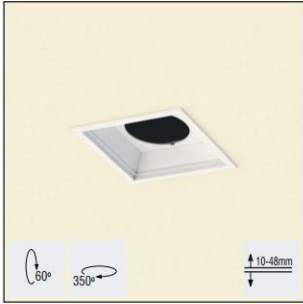
**For LED Version**

- Pure light without IR/UV radiation.
- 7W up to 10,5W wattage range and 720 up to 1140 luminous flux range.
- Aluminum heatsink anodized.
- Operation life: 50,000 hours with efficiency > 70% of the initial luminous flux.
- Connection for operation with Constant Current.



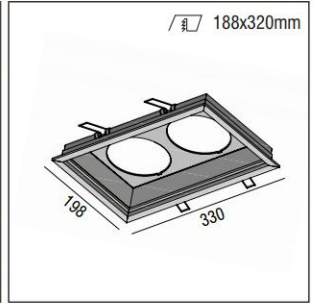
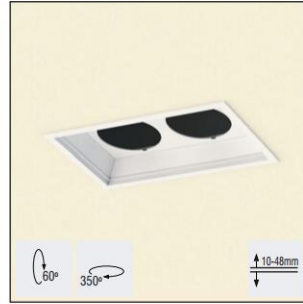
FLAT KADRO 40

FLAT KADRO 40 1x... Fitting



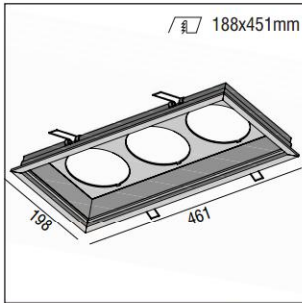
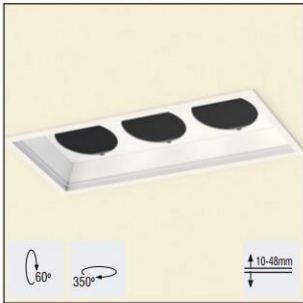
Code	Description	Kg
86721	FLAT KADRO 40 1x...	0,600

FLAT KADRO 41 2x... Fitting



Code	Description	Kg
86722	FLAT KADRO 41 2x...	0,970

FLAT KADRO 42 3x... Fitting



Code	Description	Kg
86723	FLAT KADRO 42 3x...	1,320

EXAMPLE

<p>FLAT KADRO 41 2x...</p>		<p>MODULE 40 THETIS HIT-TC-CE/GU6,5</p>		<p>BALLAST 20W ELECTRONIC</p>	
<b>CODE</b>	<b>PIECE</b>	<b>CODE</b>	<b>PIECE</b>	<b>CODE</b>	<b>PIECE</b>
86722	1	80601	2	498113	2

FLAT KADRO 40+ Module 40 THETIS HIT-TC-CE

Module 40 THETIS HIT-TC-CE



HIT-TC-CE/GU6,5

- Version for HIT-TC-CE/GU6,5.
- Reflector: Spot, Medium, Wide.
- Tempered protection glass.

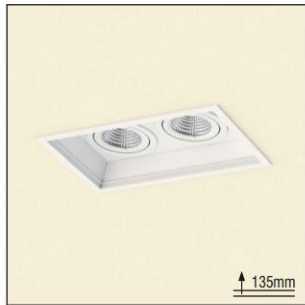
Code	Description	Kg
80601	MODULE 40 THETIS HIT-TC-CE/GU6,5 SPOT	0,250
80646	MODULE 40 THETIS HIT-TC-CE/GU6,5 MEDIUM	0,250
80647	MODULE 40 THETIS HIT-TC-CE/GU6,5 WIDE	0,250



FLAT KADRO 40

FLAT KADRO 41 + Module 40 HERCULES LED REFLECTOR

Module 40 HERCULES LED REFLECTOR



CE	F	850°C	IP 20
60°	350°		
LED	ta 25°C	350/500mA	

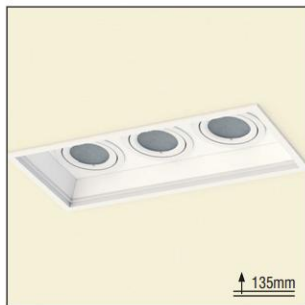
- Reflectors: Spot, Medium, Wide.
- 7W power consumption driven at 350mA.
- 10,5W power consumption driven at 500mA.
- Efficiency:
  - 7W: 4000 K: 810 Lumen, CRI: min. 80, 116 Lm/W
  - 7W: 3000 K: 720 Lumen, CRI: min. 80, 103 Lm/W
  - 10,5W: 4000 K: 1140 Lumen, CRI: min. 80, 109 Lm/W
  - 10,5W: 3000 K: 1000 Lumen, CRI: min. 80, 95 Lm/W

Code	Description	Kg
80603	MODULE 40 HERCULES LED REFLECTOR 7/10,5W	0,350



FLAT KADRO 42 + Module 40 IASON LED REFLECTOR HO

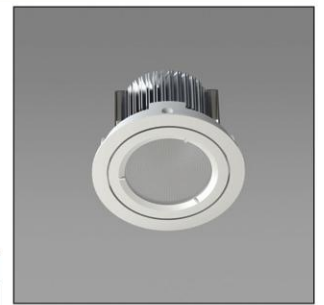
Module 40 IASON LED REFLECTOR HO



CE	F	850°C	IP 20
60°	350°		
LED	ta 25°C	350/500mA	

- Reflectors: Spot, Medium, Wide.
- 7W power consumption driven at 350mA.
- 10,5W power consumption driven at 500mA.
- Efficiency:
  - 7W: 4000 K: 810 Lumen, CRI: min. 80, 116 Lm/W
  - 7W: 3000 K: 720 Lumen, CRI: min. 80, 103 Lm/W
  - 10,5W: 4000 K: 1140 Lumen, CRI: min. 80, 109 Lm/W
  - 10,5W: 3000 K: 1000 Lumen, CRI: min. 80, 95 Lm/W

Code	Description	Kg
80604	MODULE 40 IASON LED REFLECTOR HO 7/10,5W	0,350



LED COLOUR CODES:

2 Warm 3 Neutral

BEAM CODES:

01 spot 02 medium 03 wide

Colour Codes:

0 Colours 1 White 2 Titan 3 Black 4 Chrome 5 matt Alum.

DRIVERS

LED LUMINAIRES DESCRIPTION	N° Modules min. max.	DIMENSIONS mm	CODE	
MODULE 40 THETIS GU6,5 20W	1 1	20W Electronic	498113	
MODULE 40 THETIS GU6,5 35W	1 1	35W Electronic	498223	
MODULE 40 HERCULES/IASON LED 1x 7W	1 1	350mA 8W IP20 70 x 35 x 21	800020	
MODULE 40 HERCULES/IASON LED 2x 7W	1 2	350mA 15W IP20 160 x 22 x 19	800021	
MODULE 40 HERCULES/IASON LED 3x 7W	1 3	350mA 25W IP20 123 x 80 x 22	800041	
MODULE 40 HERCULES/IASON LED 1x 10,5W	1 1	500mA 12W IP20 120 x 35 x 19	800023	
MODULE 40 HERCULES/IASON LED 2x 10,5W	1 2	500mA 30W IP20 160 x 50 x 22	800030	
MODULE 40 HERCULES/IASON LED 3x 10,5W	1 3	500mA 32W IP20 123 x 80 x 22	800041	

DIMMER DRIVERS

LED LUMINAIRES DESCRIPTION	N° Modules min. max.	DIMMER TYPE	DIMENSIONS mm	CODE	
MODULE 40 HERCULES/IASON 1x, 2x 7W	1 2	350mA 15W IP20 1-10Vdc/Push Button	145 x 40 x 28	800040	
MODULE 40 HERCULES/IASON 3x 7W	1 3	350mA 25W IP20 1-10Vdc/Push Button*	123 x 80 x 22	800043	
MODULE 40 HERCULES/IASON 3x 7W	1 3	350mA 25W IP20 1-10Vdc/Push Button/Dali*	123 x 80 x 22	800042	
MODULE 40 HERCULES/IASON 1x, 2x 10,5W	1 2	500mA 22W IP20 1-10Vdc/Push Button	145 x 40 x 28	800040	
MODULE 40 HERCULES/IASON 3x 10,5W	1 3	500mA 32W IP20 1-10Vdc/Push Button*	123 x 80 x 22	800043	
MODULE 40 HERCULES/IASON 3x 10,5W	1 3	500mA 32W IP20 1-10Vdc/Push Button/Dali*	123 x 80 x 22	800042	

\* Please order synchronization cable for each dimmer driver separately - Code: 800044 (4m)

FLAT KADRO 40



**FLAT KADRO 60**

FLAT KADRO 60 is a deep recessed compact spot with rotation. It can satisfy multiple lighting requirements thanks to its wide variety of modules, and it highlights impressively premises, such as shopping malls, stores, hotels, exhibition halls, museums etc.

A LED version is also available and it is guaranteed by the use of last generation light sources, which ensure excellent performance with maximum energy efficiency. This, in combination with an efficient thermal management, makes FLAT KADRO 60 a warranty for premium lighting with LED technology.

**Technical Features**

- Aluminium recessing frame, painted electrostatically in selected colour.
- Deep steel cover.
- Outer adjustable ring from die-cast aluminium.
- Inner ring for easy lamp replacement.
- High pure aluminium reflectors in Spot, Medium, Wide versions.
- Tempered protection glass.
- Easy mounting with clips.

**Upon request:**

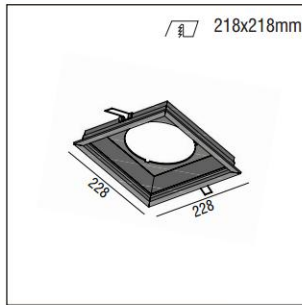
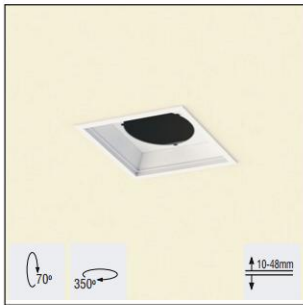
Available with highest colour rendering index (CRI)

**For LED Version**

- Pure light without IR/UV radiation.
- Die cast aluminum heatsink anodized.
- Efficient thermal management.
- 1800 lumen in 22W neutral edition or 2830 lumen in 30W.
- Operation life: 50,000 hours with efficiency > 70% of the initial luminous flux.
- Connection for operation with Constant Current.

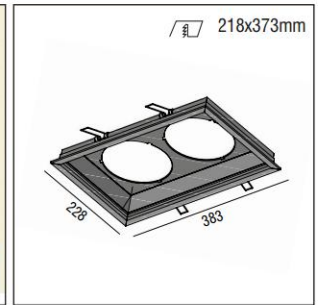
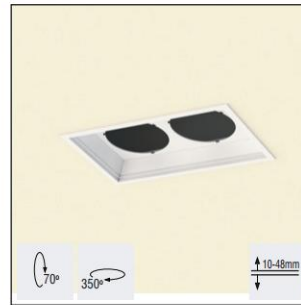
FLAT KADRO 60

FLAT KADRO 60 1x... Fitting



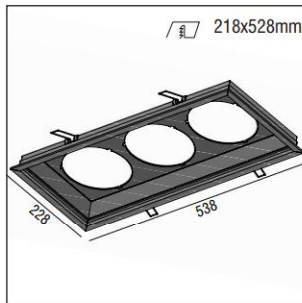
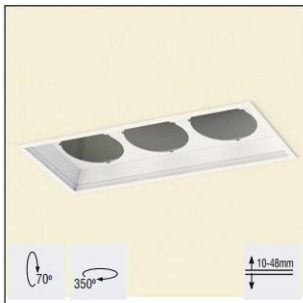
Code	Description	Kg
86724	FLAT KADRO 60 1x...	0,730

FLAT KADRO 61 2x... Fitting



Code	Description	Kg
86725	FLAT KADRO 61 2x...	1,100

FLAT KADRO 62 3x... Fitting



Code	Description	Kg
86726	FLAT KADRO 62 3x...	1,450

EXAMPLE



FLAT KADRO 61 2x...



MODULE FLAT 60  
HIT-CE/G12 MEDIUM



BALLAST 70W ELECTRONIC

CODE	PIECE	CODE	PIECE	CODE	PIECE
86725	1	80611	2	498323	2

FLAT KADRO 60 + Module 60 POSIDON HI-PAR 111

Module 60 POSIDON HI-PAR 111



CE	F	850°C	IP 20
70°	350°		
OSRAM: HCL-H 111 PHILIPS: COM-H 111			
		35/70W CG	

- Version for HI-PAR 111/GX8,5.
- Outer adjustable ring from die-cast aluminium.
- Inner ring for easy lamp replacement.

Code	Description	Kg
80615	Module 60 POSIDON HI-PAR 111/GX8.5	0,250



FLAT KADRO 60

FLAT KADRO 61 + Module 60 DIONISOS QR111

Module 60 DIONISOS QR111



CE	F	850°C	IP 20
70°	350°		
OSRAM HALOSPOT 111 PHILIPS ALUOS 111			60/70/25W 12V

- Version for QR111/G53.
- Outer adjustable ring from die-cast aluminium.
- Inner ring for easy lamp replacement.

Code	Description	Kg
80610	Module 60 DIONISOS QR111/G53	0,250



FLAT KADRO 62 + Module 60 APOLLON HIT-CE

Module 60 APOLLON HIT-CE



CE	F	850°C	IP 20
70°	350°		
OSRAM HIT-T PHILIPS COM-T			35/70/150W G8

- Version for HIT-CE/G12.
- Outer adjustable ring from die-cast aluminium.
- Inner ring for easy lamp replacement.
- High pure aluminium reflectors in Spot, Medium, Wide.
- Tempered protection glass.

Code	Description	Kg
80612	Module 60 APOLLON HIT-CE/G12 SPOT	0,500
80611	Module 60 APOLLON HIT-CE/G12 MEDIUM	0,500
80619	Module 60 APOLLON HIT-CE/G12 WIDE	0,500



FLAT KADRO 60 + Module 60 IFESTOS HIT-TC-CE

Module 60 IFESTOS HIT-TC-CE



CE	F	850°C	IP 20
70°	350°		
OSRAM HIT-TC PHILIPS COM-TC			20/35/70W G8

- Version for HIT-TC-CE/G8,5.
- Outer adjustable ring from die-cast aluminium.
- Inner ring for easy lamp replacement.
- High pure aluminium reflectors in Spot, Medium, Wide.
- Tempered protection glass.

Code	Description	Kg
80614	Module 60 IFESTOS HIT-TC-CE /G8,5 SPOT	0,500
80613	Module 60 IFESTOS HIT-TC-CE /G8,5 MEDIUM	0,500
80620	Module 60 IFESTOS HIT-TC-CE /G8,5 WIDE	0,500



FLAT KADRO 61 + Module 60 ARIS LED R111

Module 60 ARIS LED R111



CE	F	850°C	IP 20
70°	350°		
LED			
			20/35/70W G8

- Version for LED R111/GU10.
- Outer adjustable ring from die-cast aluminium.
- Inner ring for easy lamp replacement.
- Connection for 230V/50Hz.

Code	Description	Kg
80616	Module 60 ARIS LED R111/GU10/230V	0,300



FLAT KADRO 62 + Module 60 DIAS LED

Module 60 DIAS LED



CE	F	850°C	IP 20
70°	350°		
LED			
		ta 25°C	500/700mA G8

- Version with LED Module.
  - Outer adjustable ring from die-cast aluminium.
  - Inner ring for easy lamp replacement.
  - 22W power consumption driven at 500mA.
  - 30W power consumption driven at 700mA.
  - Efficiency:
- |      |                                  |
|------|----------------------------------|
| 22W: | 4000 K: 1800 Lumen, CRI: min. 75 |
| 22W: | 3000 K: 1800 Lumen, CRI: min. 80 |
| 30W: | 4000 K: 2830 Lumen, CRI: min. 75 |
| 30W: | 3000 K: 2830 Lumen, CRI: min. 80 |
- Maximum: 95 Lm/W

Code	Description	Kg
80618	Module 60 DIAS LED CHIP 22W	0,750
80621	Module 60 DIAS LED CHIP 30W	0,900



FLAT KADRO 60

FLAT KADRO 60 + Module 60 KRONOS HIT-TC-CE

Module 60 KRONOS HIT-TC-CE



CE	F	850°C	IP 20
60°	350°		
HIT-TC-CE/GU6,5			29/35W CG
OSRAM: HI-TF PHILIPS: COM To			

- Version for HIT-TC-CE/GU6,5.
- Outer adjustable ring from die-cast aluminium.
- Die-cast aluminium spot inside.
- High pure aluminium reflectors in Spot, Medium, Wide.
- Tempered protection glass.

Code	Description	Kg
80648	Module 60 KRONOS HIT-TC-CE /GU6,5 SPOT	0,940
80649	Module 60 KRONOS HIT-TC-CE /GU6,5 MEDIUM	0,940
80650	Module 60 KRONOS HIT-TC-CE /GU6,5 WIDE	0,940



FLAT KADRO 60 + Module 60 KRONOS LED

Module 60 KRONOS LED



CE	F	850°C	IP 20
60°	350°		
LED	500mA CG	ta 25°C	

- Version with LED Module.
- Outer adjustable ring from die-cast aluminium.
- Die-cast aluminium spot inside.
- 22W power consumption driven at 500mA.
- Efficiency:  
22W: 4000 K: 1800 Lumen, CRI: min. 75  
22W: 3000 K: 1800 Lumen, CRI: min. 80  
Maximum: 95 Lm/W

Code	Description	Kg
80622	Module 60 KRONOS LED CHIP 22W	0,940



LED COLOUR CODES:

2 Warm 3 Neutral

BEAM CODES:

01 spot 02 medium 03 wide

Colour Codes:

0 Colours 1 White 2 Titan 3 Black 4 Chrome 5 matt Alum.

DRIVERS						
LED LUMINAIRES DESCRIPTION	N° Modules		DRIVER	CODE		
	min.	max.				
MODULE 60 IFESTOS G8,5	1	1	20W HIT Electronic			498113
MODULE 60 APOLLON/IFESTOS/POSIDON G12/G8,5/GX8,5	1	1	35W HIT Electronic			498223
MODULE 60 APOLLON/IFESTOS/POSIDON G12/G8,5/GX8,5	1	1	35W HIT Magnetic AVO			498222
MODULE 60 APOLLON/IFESTOS/POSIDON G12/G8,5/GX8,5	1	1	70W HIT Electronic			498323
MODULE 60 APOLLON/IFESTOS/POSIDON G12/G8,5/GX8,5	1	1	70W HIT Magnetic DISPLAY			498312
MODULE 60 APOLLON G12	1	1	150W HIT Electronic			498623
MODULE 60 APOLLON G12	1	1	150W HIT Magnetic DISPLAY			498612
MODULE 60 DIONISOS G53	1	-	60W 12V DC			800005
MODULE 60 DIONISOS G53	1	-	70W 12V DC			800006
MODULE 60 DIONISOS G53	1	-	105W 12V DC			800007
MODULE 60 DIAS/KRONOS LED 22W CG	1	1	500mA 30W IP20 (dimensions 156 x 50 x 23)			498706
MODULE 60 DIAS LED 30W CG	1	1	700mA 30W IP20 (dimensions 156 x 50 x 23)			498705

DIMMER DRIVERS						
LED LUMINAIRES DESCRIPTION	N° Modules		DIMMER TYPE	DIMENSIONS mm	CODE	
	min.	max.				
MODULE 60 DIAS/KRONOS LED 22W CG	1	1	500mA 32W IP20 1-10Vdc/Push Button*	123 x 80 x 22		498703
MODULE 60 DIAS/KRONOS LED 22W CG	1	1	500mA 32W IP20 1-10Vdc/Push Button/Dali*	123 x 80 x 22		498704
MODULE 60 DIAS LED 30W CG	1	1	700mA 50W IP20 1-10Vdc/Push Button*	123 x 80 x 22		498703
MODULE 60 DIAS LED 30W CG	1	1	700mA 50W IP20 1-10Vdc/Push Button/Dali*	123 x 80 x 22		498704

\* Please order synchronization cable for each dimmer driver separately - Code: 800044 (4m)

**KADRO 40**

A piece-of-art luminaire with three notable characteristics: sophisticated design, flexibility and high performance. It's unique trapezoid design raises the architectural interest and impresses the observer. There are three frames with different dimensions in which 1,2 or 3 modules of light sources can be intergrated. Thanks to it's optimal optical system, it offers precise, uniform light distribution and excellent lighting quality.

**Technical Features**

- Steel body, painted electrostatically in selected colour or plated.
- Outer adjustable ring from die-cast aluminium.
- Inner ring for easy lamp replacement.
- High pure aluminium reflectors in Spot, Medium, Wide versions.
- Tempered protection glass for HIT-TC-CE version.
- Easy mounting with clips.

**Upon request:**

Available with highest colour rendering index (CRI)

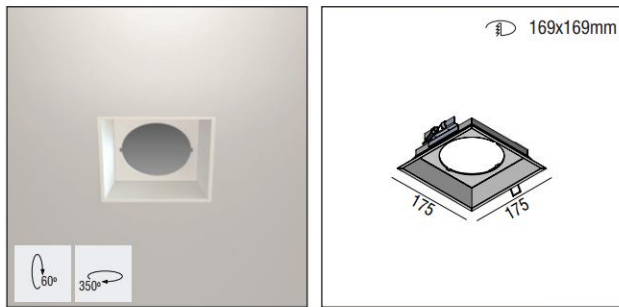
**For LED Version**

- Pure light without IR/UV radiation.
- 7W up to 10,5W wattage range and 720 up to 1140 luminous flux range.
- Aluminum heatsink anodized.
- Operation life: 50,000 hours with efficiency > 70% of the initial luminous flux.
- Connection for operation with Constant Current.



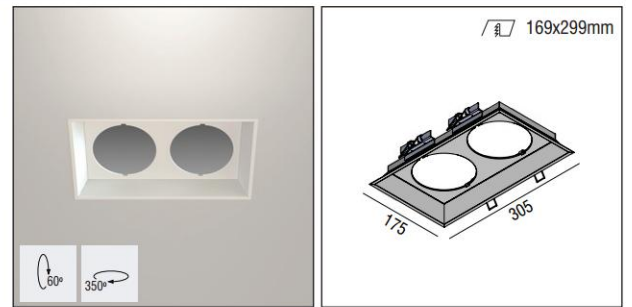
**KADRO 40**

**KADRO 40 1x... Fitting**



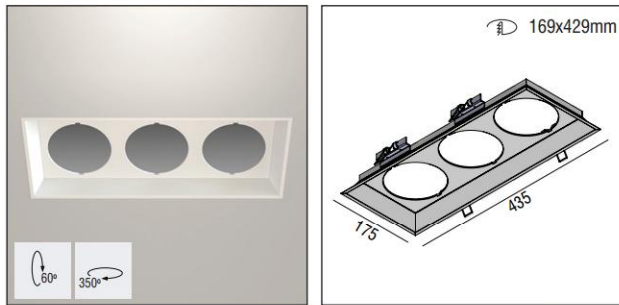
Code	Description	Kg
86866	KADRO 40 1x...	0,220

**KADRO 41 2x... Fitting**





Code	Description	Kg
86867	KADRO 41 2x...	0,340

**KADRO 42 3x... Fitting**



Code	Description	Kg
86868	KADRO 42 3x...	0,500

**EXAMPLE**

 KADRO 41 2x...		 MODULE 40 HERCULES LED REFLECTOR		 DRIVER 500mA 30W	
<b>CODE</b>	<b>PIECE</b>	<b>CODE</b>	<b>PIECE</b>	<b>CODE</b>	<b>PIECE</b>
86867	1	80603	2	800030	1

**KADRO 40+ Module 40 THETIS HIT-TC-CE**

**Module 40 THETIS HIT-TC-CE**





















- Version for HIT-TC-CE/GU6,5.
- Reflector: Spot, Medium, Wide.
- Tempered protection glass.

Code	Description	Kg
80601	MODULE 40 THETIS HIT-TC-CE/GU6,5 SPOT	0,250
80646	MODULE 40 THETIS HIT-TC-CE/GU6,5 MEDIUM	0,250
80647	MODULE 40 THETIS HIT-TC-CE/GU6,5 WIDE	0,250



KADRO 40

KADRO 41+ Module 40 HERCULES LED REFLECTOR

Module 40 HERCULES LED REFLECTOR



CE F 850°C IP 20

60° 350mm 5-40mm

LED 350/500mA ta 25°C

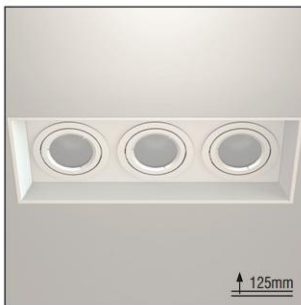
- Reflectors: Spot, Medium, Wide.
- 7W power consumption driven at 350mA.
- 10,5W power consumption driven at 500mA.
- Efficiency:
  - 7W: 4000 K: 810 Lumen, CRI: min. 80, 116 Lm/W
  - 7W: 3000 K: 720 Lumen, CRI: min. 80, 103 Lm/W
  - 10,5W: 4000 K: 1140 Lumen, CRI: min. 80, 109 Lm/W
  - 10,5W: 3000 K: 1000 Lumen, CRI: min. 80, 95 Lm/W

Code	Description	Kg
80603	MODULE 40 HERCULES LED REFLECTOR 7/10,5W	0,350



KADRO 42+ Module 40 IASON LED REFLECTOR HO

Module 40 IASON LED REFLECTOR HO



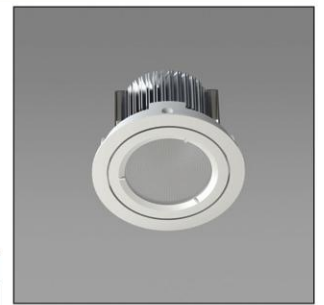
CE F 850°C IP 20

60° 350mm 5-40mm

LED 350/500mA ta 25°C

- Reflectors: Spot, Medium, Wide.
- 7W power consumption driven at 350mA.
- 10,5W power consumption driven at 500mA.
- Efficiency:
  - 7W: 4000 K: 810 Lumen, CRI: min. 80, 116 Lm/W
  - 7W: 3000 K: 720 Lumen, CRI: min. 80, 103 Lm/W
  - 10,5W: 4000 K: 1140 Lumen, CRI: min. 80, 109 Lm/W
  - 10,5W: 3000 K: 1000 Lumen, CRI: min. 80, 95 Lm/W

Code	Description	Kg
80604	MODULE 40 IASON LED REFLECTOR HO 7/10,5W	0,350



LED COLOUR CODES:

2 Warm 3 Neutral

BEAM CODES:

01 spot 02 medium 03 wide

Colour Codes:

0 Colours 1 White 2 Titan 3 Black 4 Chrome 5 matt Alum.

DRIVERS

LED LUMINAIRES DESCRIPTION	N° Modules		DIMENSIONS mm	CODE
	min.	max.		
MODULE 40 THETIS GU6,5	20W	1 1	20W Electronic	498113
MODULE 40 THETIS GU6,5	35W	1 1	35W Electronic	498223
MODULE 40 HERCULES/IASON LED	1x 7W	1 1	350mA 8W IP20	800020
MODULE 40 HERCULES/IASON LED	2x 7W	1 2	350mA 15W IP20	800021
MODULE 40 HERCULES/IASON LED	3x 7W	1 3	350mA 25W IP20	800041
MODULE 40 HERCULES/IASON LED	1x 10,5W	1 1	500mA 12W IP20	800023
MODULE 40 HERCULES/IASON LED	2x 10,5W	1 2	500mA 30W IP20	800030
MODULE 40 HERCULES/IASON LED	3x 10,5W	1 3	500mA 32W IP20	800041

DIMMER DRIVERS

LED LUMINAIRES DESCRIPTION	N° Modules		DIMMER TYPE	DIMENSIONS mm	CODE	
	min.	max.				
MODULE 40 HERCULES/IASON	1x, 2x 7W	1 2	350mA 15W IP20	1-10Vdc/Push Button	145 x 40 x 28	800040
MODULE 40 HERCULES/IASON	3x 7W	1 3	350mA 25W IP20	1-10Vdc/Push Button*	123 x 80 x 22	800043
MODULE 40 HERCULES/IASON	3x 7W	1 3	350mA 25W IP20	1-10Vdc/Push Button/Dali*	123 x 80 x 22	800042
MODULE 40 HERCULES/IASON	1x, 2x 10,5W	1 2	500mA 22W IP20	1-10Vdc/Push Button	145 x 40 x 28	800040
MODULE 40 HERCULES/IASON	3x 10,5W	1 3	500mA 32W IP20	1-10Vdc/Push Button*	123 x 80 x 22	800043
MODULE 40 HERCULES/IASON	3x 10,5W	1 3	500mA 32W IP20	1-10Vdc/Push Button/Dali*	123 x 80 x 22	800042

\* Please order synchronization cable for each dimmer driver separately - Code: 800044 (4m)

KADRO 40



**KADRO 60**

A piece-of-art luminaire with three notable characteristics: sophisticated design, flexibility and high performance. It's unique trapezoid design raises the architectural interest and impresses the observer. There are three frames with different dimensions in which 1,2 or 3 modules of light sources can be intergrated. Thanks to it's optimal optical system, it offers precise, uniform light distribution and excellent lighting quality.

**Technical Features**

- Aluminium frame, painted electrostatically in selected colour or plated.
- Outer adjustable ring from die-cast aluminium.
- Inner ring for easy lamp replacement.
- High pure aluminium reflectors in Spot, Medium, Wide versions.
- Tempered protection glass.
- Easy mounting with clips.

**Upon request:**

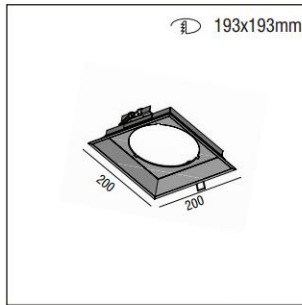
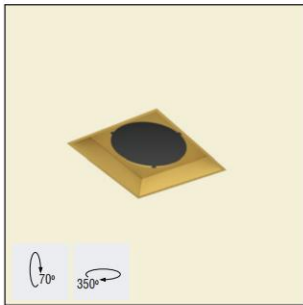
Available with highest colour rendering index (CRI)

**For LED Version**

- Pure light without IR/UV radiation.
- Die cast aluminum heatsink anodized.
- Efficient thermal management.
- 1800 lumen in 22W neutral edition or 2830 lumen in 30W.
- Operation life: 50,000 hours with efficiency > 70% of the initial luminous flux.
- Connection for operation with Constant Current.

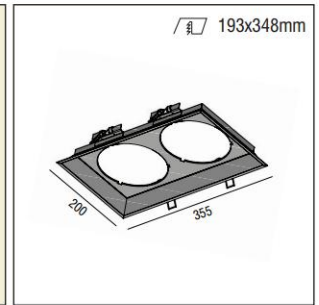
KADRO 60

KADRO 60 1x... Fitting



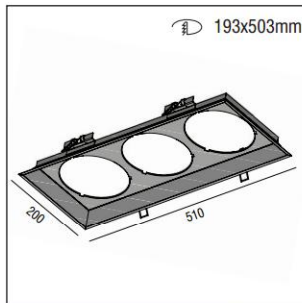
Code	Description	Kg
86876	KADRO 60 1x...	0,270

KADRO 61 2x... Fitting



Code	Description	Kg
86877	KADRO 61 2x...	0,430

KADRO 62 3x... Fitting



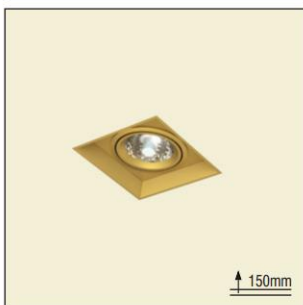
Code	Description	Kg
86878	KADRO 62 3x...	0,590

EXAMPLE

 <p>KADRO 61 2x...</p>		 <p>MODULE 60 DIAS LED CHIP 22W</p>		 <p>DRIVER 500mA 30W IP20</p>	
CODE	PIECE	CODE	PIECE	CODE	PIECE
86877	1	80618	2	498701	2

KADRO 60 + Module 60 POSIDON HI-PAR 111

Module 60 POSIDON HI-PAR 111



- Version for HI-PAR 111/GX8.5.
- Outer adjustable ring from die-cast aluminium.
- Inner ring for easy lamp replacement.

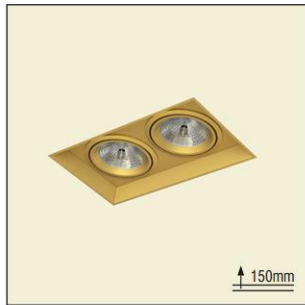
Code	Description	Kg
80615	Module 60 POSIDON HI-PAR 111/GX8.5	0,250



KADRO 60

KADRO 61 + Module 60 DIONISOS QR111

Module 60 DIONISOS QR111



CE	F	850°C	IP 20
70°	350°	5-40mm	
OSRAM HALOPOT 111 PHILIPS ALUOS 111		607025W 12V	

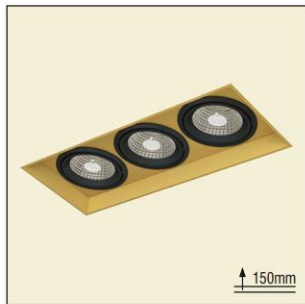
- Version for QR111/G53.
- Outer adjustable ring from die-cast aluminium.
- Inner ring for easy lamp replacement.

Code	Description	Kg
80610	Module 60 DIONISOS QR111/G53	0,250



KADRO 62 + Module 60 APOLLON HIT-CE

Module 60 APOLLON HIT-CE



CE	F	850°C	IP 20
70°	350°	5-40mm	
OSRAM HCD-T PHILIPS COMET		3570150W G5	

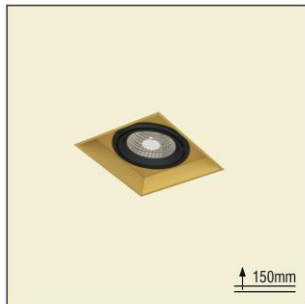
- Version for HIT-CE/G12.
- Outer adjustable ring from die-cast aluminium.
- Inner ring for easy lamp replacement.
- High pure aluminium reflectors in Spot, Medium, Wide.
- Tempered protection glass.

Code	Description	Kg
80612	Module 60 APOLLON HIT-CE/G12 SPOT	0,500
80611	Module 60 APOLLON HIT-CE/G12 MEDIUM	0,500
80619	Module 60 APOLLON HIT-CE/G12 WIDE	0,500



KADRO 60 + Module 60 IFESTOS HIT-TC-CE

Module 60 IFESTOS HIT-TC-CE



CE	F	850°C	IP 20
70°	350°	5-40mm	
OSRAM HCD-TC PHILIPS COMET-TC		2003570W G5	

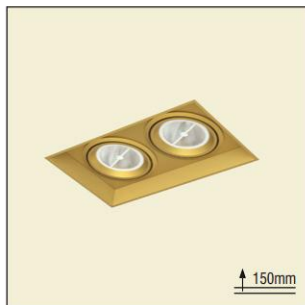
- Version for HIT-TC-CE/G8,5.
- Outer adjustable ring from die-cast aluminium.
- Inner ring for easy lamp replacement.
- High pure aluminium reflectors in Spot, Medium, Wide.
- Tempered protection glass.

Code	Description	Kg
80614	Module 60 IFESTOS HIT-TC-CE /G8,5 SPOT	0,500
80613	Module 60 IFESTOS HIT-TC-CE /G8,5 MEDIUM	0,500
80620	Module 60 IFESTOS HIT-TC-CE /G8,5 WIDE	0,500



KADRO 61 + Module 60 ARIS LED R111

Module 60 ARIS LED R111



CE	F	850°C	IP 20
70°	350°	5-40mm	
LED			

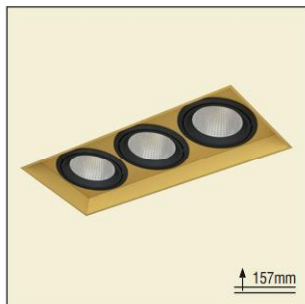
- Version for LED R111/GU10.
- Outer adjustable ring from die-cast aluminium.
- Inner ring for easy lamp replacement.
- Connection for 230V/50Hz.

Code	Description	Kg
80616	Module 60 ARIS LED R111/GU10/230V	0,300



KADRO 62 + Module 60 DIAS LED

Module 60 DIAS LED



CE	F	850°C	IP 20
70°	350°	10-40mm	
LED		500700mA G5	
	ta	25°C	

- Version with LED Module.
- Outer adjustable ring from die-cast aluminium.
- Inner ring for easy lamp replacement.
- 22W power consumption driven at 500mA.
- 30W power consumption driven at 700mA.
- Efficiency:
  - 22W: 4000 K: 1800 Lumen, CRI: min. 75
  - 22W: 3000 K: 1800 Lumen, CRI: min. 80
  - 30W: 4000 K: 2830 Lumen, CRI: min. 75
  - 30W: 3000 K: 2830 Lumen, CRI: min. 80
- Maximum: 95 Lm/W

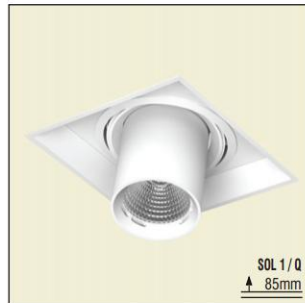
Code	Description	Kg
80618	Module 60 DIAS LED CHIP 22W	0,750
80621	Module 60 DIAS LED CHIP 30W	0,900



KADRO 60

KADRO 60 + Module 60 KRONOS HIT-TC-CE

Module 60 KRONOS HIT-TC-CE



CE F 850°C IP 20

60° 350°

HIT-TC-CE/GU6,5

20/35W CG

SOL 1/Q  
85mm

- Version for HIT-TC-CE/GU6,5.
- Outer adjustable ring from die-cast aluminium.
- Die-cast aluminium spot inside.
- High pure aluminium reflectors in Spot, Medium, Wide.
- Tempered protection glass.

Code	Description	Kg
80648	Module 60 KRONOS HIT-TC-CE /GU6,5 SPOT	0,940
80649	Module 60 KRONOS HIT-TC-CE /GU6,5 MEDIUM	0,940
80650	Module 60 KRONOS HIT-TC-CE /GU6,5 WIDE	0,940



KADRO 60 + Module 60 KRONOS LED

Module 60 KRONOS LED



CE F 850°C IP 20

60° 350°

LED

500mA CG

ta 25°C

SOL 1/Q  
85mm

- Version with LED Module.
- Outer adjustable ring from die-cast aluminium.
- Die-cast aluminium spot inside.
- 22W power consumption driven at 500mA.
- Efficiency:  
22W: 4000 K: 1800 Lumen, CRI: min. 75  
22W: 3000 K: 1800 Lumen, CRI: min. 80  
Maximum: 95 Lm/W

Code	Description	Kg
80622	Module 60 KRONOS LED CHIP 22W	0,940



LED COLOUR CODES:

- 2 Warm 3 Neutral

BEAM CODES:

- 01 spot 02 medium 03 wide

Colour Codes:

- 0 Colours 1 White 2 Titan 3 Black 4 Chrome 5 matt Alum.

DRIVERS						
LED LUMINAIRES DESCRIPTION	N° Modules		DIMMER TYPE	DIMENSIONS mm	CODE	
	min.	max.				
MODULE 60 IFESTOS G8,5	1	1	20W HIT Electronic			498113
MODULE 60 APOLLON/IFESTOS/POSIDON G12/G8,5/GX8,5	1	1	35W HIT Electronic			498223
MODULE 60 APOLLON/IFESTOS/POSIDON G12/G8,5/GX8,5	1	1	35W HIT Magnetic AVO			498222
MODULE 60 APOLLON/IFESTOS/POSIDON G12/G8,5/GX8,5	1	1	70W HIT Electronic			498323
MODULE 60 APOLLON/IFESTOS/POSIDON G12/G8,5/GX8,5	1	1	70W HIT Magnetic DISPLAY			498312
MODULE 60 APOLLON G12	1	1	150W HIT Electronic			498623
MODULE 60 APOLLON G12	1	1	150W HIT Magnetic DISPLAY			498612
MODULE 60 DIONISOS G53	1	-	60W 12V DC			800005
MODULE 60 DIONISOS G53	1	-	70W 12V DC			800006
MODULE 60 DIONISOS G53	1	-	105W 12V DC			800007
MODULE 60 DIAS/KRONOS LED 22W CG	1	1	500mA 30W IP20 (dimensions 156 x 50 x 23)			498706
MODULE 60 DIAS LED 30W CG	1	1	700mA 30W IP20 (dimensions 156 x 50 x 23)			498705

DIMMER DRIVERS						
LED LUMINAIRES DESCRIPTION	N° Modules		DIMMER TYPE	DIMENSIONS mm	CODE	
	min.	max.				
MODULE 60 DIAS/KRONOS LED 22W CG	1	1	500mA 32W IP20	1-10Vdc/Push Button*	123 x 80 x 22	498703
MODULE 60 DIAS/KRONOS LED 22W CG	1	1	500mA 32W IP20	1-10Vdc/Push Button/Dali*	123 x 80 x 22	498704
MODULE 60 DIAS LED 30W CG	1	1	700mA 50W IP20	1-10Vdc/Push Button*	123 x 80 x 22	498703
MODULE 60 DIAS LED 30W CG	1	1	700mA 50W IP20	1-10Vdc/Push Button/Dali*	123 x 80 x 22	498704

\* Please order synchronization cable for each dimmer driver separately - Code: 800044 (4m)

KADRO 60





KADRO 60



## T8400



T800 is a recessed compact spot with rotation. It can satisfy multiple lighting requirements thanks to its wide variety of modules, and it highlights impressively premises, such as shopping malls, stores, hotels, exhibition halls, museums etc.

A LED version is also available and it is guaranteed by the use of last generation light sources, which ensure excellent performance with maximum energy efficiency. This, in combination with an efficient thermal management, makes T800 a warranty for premium lighting with LED technology.

### Technical Features

- Aluminium recessing frame, painted electrostatically in selected colour.
- Outer adjustable ring from die-cast aluminium.
- Inner ring for easy lamp replacement.
- High pure aluminium reflectors in Spot, Medium, Wide versions.
- Tempered protection glass.
- Easy mounting with clips.

**Upon request:**

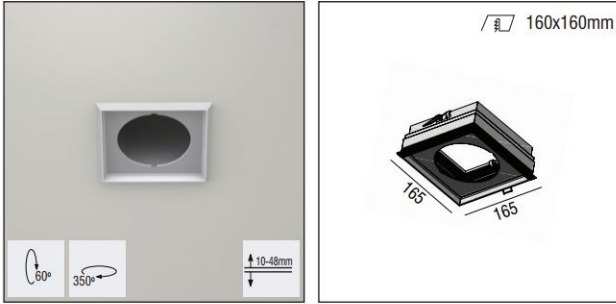
Available with highest colour rendering index (CRI)

**For LED Version**

- Pure light without IR/UV radiation.
- Die cast aluminum heatsink anodized.
- Efficient thermal management.
- 1800 lumen in 22W neutral edition or 2830 lumen in 30W.
- Operation life: 50,000 hours with efficiency > 70% of the initial luminous flux.
- Connection for operation with Constant Current.

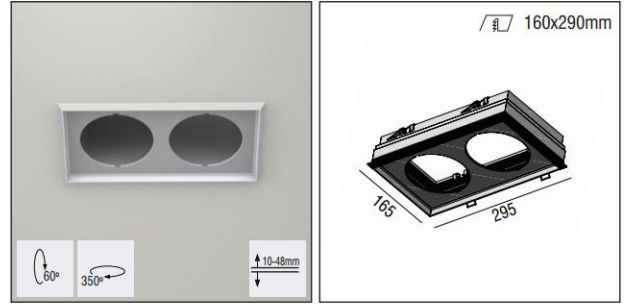
T8400

T8400 1x... Fitting



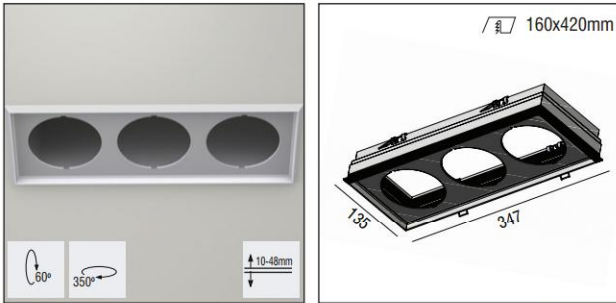
Code	Description	Kg
86268	T8400 1x...	0,500

T8410 2x... Fitting



Code	Description	Kg
86269	T8410 2x...	0,770

T8420 3x... Fitting



Code	Description	Kg
86270	T8420 3x...	1,020




EXAMPLE



 <p>T8410 2x...</p>		 <p>MODULE 40 THETIS HIT-TC-CE/GU6,5</p>		 <p>BALLAST 20W ELECTRONIC</p>	
<b>CODE</b>	<b>PIECE</b>	<b>CODE</b>	<b>PIECE</b>	<b>CODE</b>	<b>PIECE</b>
86269	1	80601	2	498113	2




T8400+ Module 40 THETIS HIT-TC-CE

Module 40 THETIS HIT-TC-CE









HIT-TC-CE/GU6,5


 20/35W


 OSRAM HO-1F  
 PHILIPS, CDM T8

- Version for HIT-TC-CE/GU6,5.
- Reflector: Spot, Medium, Wide.
- Tempered protection glass.

Code	Description	Kg
80601	MODULE 40 THETIS HIT-TC-CE/GU6,5 SPOT	0,250
80646	MODULE 40 THETIS HIT-TC-CE/GU6,5 MEDIUM	0,250
80647	MODULE 40 THETIS HIT-TC-CE/GU6,5 WIDE	0,250



T8400

T8410+ Module 40 HERCULES LED REFLECTOR

Module 40 HERCULES LED REFLECTOR



CE	F	850°C	IP 20
60°	350°		
LED	350/500mA	ta 25°C	

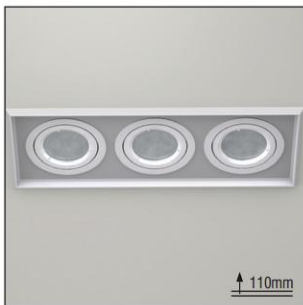
- Reflectors: Spot, Medium, Wide.
- 7W power consumption driven at 350mA.
- 10,5W power consumption driven at 500mA.
- Efficiency:
  - 7W: 4000 K: 810 Lumen, CRI: min. 80, 116 Lm/W
  - 7W: 3000 K: 720 Lumen, CRI: min. 80, 103 Lm/W
  - 10,5W: 4000 K: 1140 Lumen, CRI: min. 80, 109 Lm/W
  - 10,5W: 3000 K: 1000 Lumen, CRI: min. 80, 95 Lm/W

Code	Description	Kg
80603	MODULE 40 HERCULES LED REFLECTOR 7/10,5W	0,350



T8420+ Module 40 IASON LED REFLECTOR HO

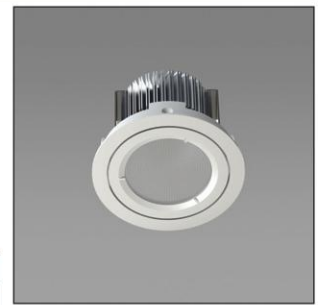
Module 40 IASON LED REFLECTOR HO



CE	F	850°C	IP 20
60°	350°		
LED	350/500mA	ta 25°C	

- Reflectors: Spot, Medium, Wide.
- 7W power consumption driven at 350mA.
- 10,5W power consumption driven at 500mA.
- Efficiency:
  - 7W: 4000 K: 810 Lumen, CRI: min. 80, 116 Lm/W
  - 7W: 3000 K: 720 Lumen, CRI: min. 80, 103 Lm/W
  - 10,5W: 4000 K: 1140 Lumen, CRI: min. 80, 109 Lm/W
  - 10,5W: 3000 K: 1000 Lumen, CRI: min. 80, 95 Lm/W

Code	Description	Kg
80604	MODULE 40 IASON LED REFLECTOR HO 7/10,5W	0,350



LED COLOUR CODES:

2 Warm 3 Neutral

BEAM CODES:

01 spot 02 medium 03 wide

Colour Codes:

0 Colours 1 White 2 Titan 3 Black 4 Chrome 5 matt Alum.

DRIVERS

LED LUMINAIRES DESCRIPTION	N° Modules		DIMENSIONS mm			CODE
	min.	max.				
MODULE 40 THETIS GU6,5	20W	1	1	20W Electronic		498113
MODULE 40 THETIS GU6,5	35W	1	1	35W Electronic		498223
MODULE 40 HERCULES/IASON LED	1x 7W	1	1	350mA 8W IP20	70 x 35 x 21	800020
MODULE 40 HERCULES/IASON LED	2x 7W	1	2	350mA 15W IP20	160 x 22 x 19	800021
MODULE 40 HERCULES/IASON LED	3x 7W	1	3	350mA 25W IP20	123 x 80 x 22	800041
MODULE 40 HERCULES/IASON LED	1x 10,5W	1	1	500mA 12W IP20	120 x 35 x 19	800023
MODULE 40 HERCULES/IASON LED	2x 10,5W	1	2	500mA 30W IP20	160 x 50 x 22	800030
MODULE 40 HERCULES/IASON LED	3x 10,5W	1	3	500mA 32W IP20	123 x 80 x 22	800041

DIMMER DRIVERS

LED LUMINAIRES DESCRIPTION	N° Modules		DIMMER TYPE	DIMENSIONS mm	CODE		
	min.	max.					
MODULE 40 HERCULES/IASON	1x, 2x 7W	1	2	350mA 15W IP20	1-10Vdc/Push Button	145 x 40 x 28	800040
MODULE 40 HERCULES/IASON	3x 7W	1	3	350mA 25W IP20	1-10Vdc/Push Button*	123 x 80 x 22	800043
MODULE 40 HERCULES/IASON	3x 7W	1	3	350mA 25W IP20	1-10Vdc/Push Button/Dali*	123 x 80 x 22	800042
MODULE 40 HERCULES/IASON	1x, 2x 10,5W	1	2	500mA 22W IP20	1-10Vdc/Push Button	145 x 40 x 28	800040
MODULE 40 HERCULES/IASON	3x 10,5W	1	3	500mA 32W IP20	1-10Vdc/Push Button*	123 x 80 x 22	800043
MODULE 40 HERCULES/IASON	3x 10,5W	1	3	500mA 32W IP20	1-10Vdc/Push Button/Dali*	123 x 80 x 22	800042

\* Please order synchronization cable for each dimmer driver separately - Code: 800044 (4m)

T8400



**T800**

T800 is a recessed compact spot with rotation. It can satisfy multiple lighting requirements thanks to its wide variety of modules, and it highlights impressively premises, such as shopping malls, stores, hotels, exhibition halls, museums etc.

A LED version is also available and it is guaranteed by the use of last generation light sources, which ensure excellent performance with maximum energy efficiency. This, in combination with an efficient thermal management, makes T800 a warranty for premium lighting with LED technology.

**Technical Features**

- Aluminium recessing frame, painted electrostatically in selected colour.
- Outer adjustable ring from die-cast aluminium.
- Inner ring for easy lamp replacement.
- High pure aluminium reflectors in Spot, Medium, Wide versions.
- Tempered protection glass.
- Easy mounting with clips.

**Upon request:**

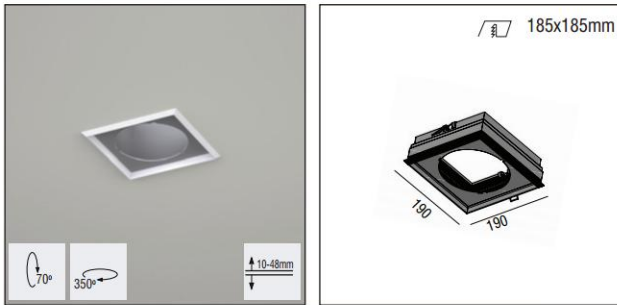
Available with highest colour rendering index (CRI)

**For LED Version**

- Pure light without IR/UV radiation.
- Die cast aluminum heatsink anodized.
- Efficient thermal management.
- 1800 lumen in 22W neutral edition or 2830 lumen in 30W.
- Operation life: 50,000 hours with efficiency > 70% of the initial luminous flux.
- Connection for operation with Constant Current.

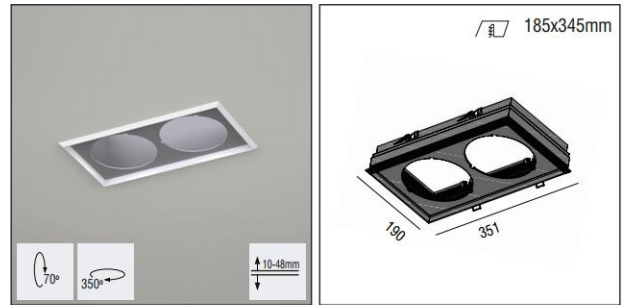
T800

T800 1x... Fitting



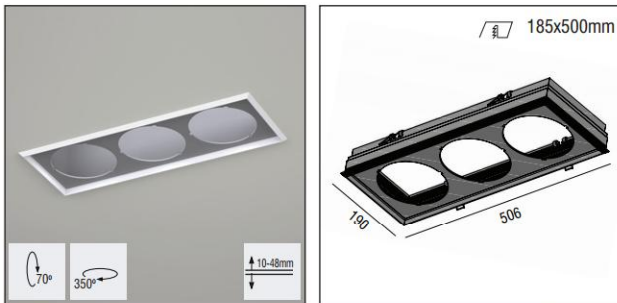
Code	Description	Kg
86200	T800 1x...	0,580

T810 2x... Fitting




Code	Description	Kg
86211	T810 2x...	0,850

T820 3x... Fitting



Code	Description	Kg
86227	T820 3x...	1,100

EXAMPLE

 <p>T810 2x...</p>		 <p>MODULE FLAT 60 HIT-CE/G12 MEDIUM</p>		 <p>BALLAST 70W ELECTRONIC</p>	
<b>CODE</b>	<b>PIECE</b>	<b>CODE</b>	<b>PIECE</b>	<b>CODE</b>	<b>PIECE</b>
86211	1	80611	2	498323	2

T800 + Module 60 POSIDON HI-PAR 111

Module 60 POSIDON HI-PAR 111



CE	F	850°C	IP 20
70°	350°		
OSRAM: HCL-H 111 PHILIPS: COM-H 111			
		35/70W CG	

- Version for HI-PAR 111/GX8,5.
- Outer adjustable ring from die-cast aluminium.
- Inner ring for easy lamp replacement.

Code	Description	Kg
80615	Module 60 POSIDON HI-PAR 111/GX8.5	0,250



T800

T810 + Module 60 DIONISOS QR111

Module 60 DIONISOS QR111



CE	F	850°C	IP 20
70°	350°		
OSRAM HALOPOF 111 PHILIPS ALUOS 111			607025W 12V

- Version for QR111/G53.
- Outer adjustable ring from die-cast aluminium.
- Inner ring for easy lamp replacement.

Code	Description	Kg
80610	Module 60 DIONISOS QR111/G53	0,250



T820 + Module 60 APOLLON HIT-CE

Module 60 APOLLON HIT-CE



CE	F	850°C	IP 20
70°	350°		
OSRAM HIT-T PHILIPS COM-T			3570250W CG

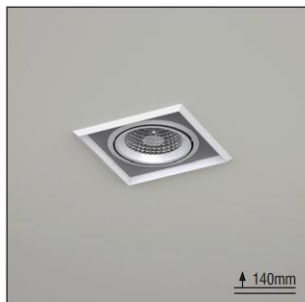
- Version for HIT-CE/G12.
- Outer adjustable ring from die-cast aluminium.
- Inner ring for easy lamp replacement.
- High pure aluminium reflectors in Spot, Medium, Wide.
- Tempered protection glass.

Code	Description	Kg
80612	Module 60 APOLLON HIT-CE/G12 SPOT	0,500
80611	Module 60 APOLLON HIT-CE/G12 MEDIUM	0,500
80619	Module 60 APOLLON HIT-CE/G12 WIDE	0,500



T800 + Module 60 IFESTOS HIT-TC-CE

Module 60 IFESTOS HIT-TC-CE



CE	F	850°C	IP 20
70°	350°		
OSRAM HIT-TC PHILIPS COM-TC			203570W CG

- Version for HIT-TC-CE/G8,5.
- Outer adjustable ring from die-cast aluminium.
- Inner ring for easy lamp replacement.
- High pure aluminium reflectors in Spot, Medium, Wide.
- Tempered protection glass.

Code	Description	Kg
80614	Module 60 IFESTOS HIT-TC-CE /G8,5 SPOT	0,500
80613	Module 60 IFESTOS HIT-TC-CE /G8,5 MEDIUM	0,500
80620	Module 60 IFESTOS HIT-TC-CE /G8,5 WIDE	0,500



T810 + Module 60 ARIS LED R111

Module 60 ARIS LED R111



CE	F	850°C	IP 20
70°	350°		
LED			

- Version for LED R111/GU10.
- Outer adjustable ring from die-cast aluminium.
- Inner ring for easy lamp replacement.
- Connection for 230V/50Hz.

Code	Description	Kg
80616	Module 60 ARIS LED R111/GU10/230V	0,300



T820 + Module 60 DIAS LED

Module 60 DIAS LED



CE	F	850°C	IP 20
70°	350°		
LED	500/700mA CG	ta 25°C	

- Version with LED Module.
  - Outer adjustable ring from die-cast aluminium.
  - Inner ring for easy lamp replacement.
  - 22W power consumption driven at 500mA.
  - 30W power consumption driven at 700mA.
  - Efficiency:
- |          |                                  |
|----------|----------------------------------|
| 22W:     | 4000 K: 1800 Lumen, CRI: min. 75 |
| 22W:     | 3000 K: 1800 Lumen, CRI: min. 80 |
| 30W:     | 4000 K: 2830 Lumen, CRI: min. 75 |
| 30W:     | 3000 K: 2830 Lumen, CRI: min. 80 |
| Maximum: | 95 Lm/W                          |

Code	Description	Kg
80618	Module 60 DIAS LED CHIP 22W	0,750
80621	Module 60 DIAS LED CHIP 30W	0,900





T800

T800 + Module 60 KRONOS HIT-TC-CE

Module 60 KRONOS HIT-TC-CE



CE F 850°C IP 20

60° 350°

HIT-TC-CEGU6,5

OSRAM: HI-TF PHILIPS: COM To

20/35W CG

- Version for HIT-TC-CE/GU6,5.
- Outer adjustable ring from die-cast aluminium.
- Die-cast aluminium spot inside.
- High pure aluminium reflectors in Spot, Medium, Wide.
- Tempered protection glass.

Code	Description	Kg
80648	Module 60 KRONOS HIT-TC-CE /GU6,5 SPOT	0,940
80649	Module 60 KRONOS HIT-TC-CE /GU6,5 MEDIUM	0,940
80650	Module 60 KRONOS HIT-TC-CE /GU6,5 WIDE	0,940



T800 + Module 60 KRONOS LED

Module 60 KRONOS LED



CE F 850°C IP 20

60° 350°

LED

500mA CG

ta 25°C

- Version with LED Module.
- Outer adjustable ring from die-cast aluminium.
- Die-cast aluminium spot inside.
- 22W power consumption driven at 500mA.
- Efficiency:  
22W: 4000 K: 1800 Lumen, CRI: min. 75  
22W: 3000 K: 1800 Lumen, CRI: min. 80  
Maximum: 95 Lm/W

Code	Description	Kg
80622	Module 60 KRONOS LED CHIP 22W	0,940



LED COLOUR CODES:

- 2 Warm 3 Neutral

BEAM CODES:

- 01 spot 02 medium 03 wide

Colour Codes:

- 0 Colours 1 White 2 Titan 3 Black 4 Chrome 5 matt Alum.

DRIVERS						
LED LUMINAIRES DESCRIPTION	N° Modules		DRIVER	CODE		
	min.	max.				
MODULE 60 IFESTOS G8,5	1	1	20W HIT Electronic			498113
MODULE 60 APOLLON/IFESTOS/POSIDON G12/G8,5/GX8,5	1	1	35W HIT Electronic			498223
MODULE 60 APOLLON/IFESTOS/POSIDON G12/G8,5/GX8,5	1	1	35W HIT Magnetic AVO			498222
MODULE 60 APOLLON/IFESTOS/POSIDON G12/G8,5/GX8,5	1	1	70W HIT Electronic			498323
MODULE 60 APOLLON/IFESTOS/POSIDON G12/G8,5/GX8,5	1	1	70W HIT Magnetic DISPLAY			498312
MODULE 60 APOLLON G12	1	1	150W HIT Electronic			498623
MODULE 60 APOLLON G12	1	1	150W HIT Magnetic DISPLAY			498612
MODULE 60 DIONISOS G53	1	-	60W 12V DC			800005
MODULE 60 DIONISOS G53	1	-	70W 12V DC			800006
MODULE 60 DIONISOS G53	1	-	105W 12V DC			800007
MODULE 60 DIAS/KRONOS LED 22W CG	1	1	500mA 30W IP20 (dimensions 156 x 50 x 23)			498706
MODULE 60 DIAS LED 30W CG	1	1	700mA 30W IP20 (dimensions 156 x 50 x 23)			498705

DIMMER DRIVERS						
LED LUMINAIRES DESCRIPTION	N° Modules		DIMMER TYPE	DIMENSIONS mm	CODE	
	min.	max.				
MODULE 60 DIAS/KRONOS LED 22W CG	1	1	500mA 32W IP20 1-10Vdc/Push Button*	123 x 80 x 22		498703
MODULE 60 DIAS/KRONOS LED 22W CG	1	1	500mA 32W IP20 1-10Vdc/Push Button/Dali*	123 x 80 x 22		498704
MODULE 60 DIAS LED 30W CG	1	1	700mA 50W IP20 1-10Vdc/Push Button*	123 x 80 x 22		498703
MODULE 60 DIAS LED 30W CG	1	1	700mA 50W IP20 1-10Vdc/Push Button/Dali*	123 x 80 x 22		498704

\* Please order synchronization cable for each dimmer driver separately - Code: 800044 (4m)

**T8400 KADRO**

T8400 KADRO is a deep recessed compact spot with rotation. It can satisfy multiple lighting requirements thanks to its wide variety of modules, and it highlights impressively premises, such as shopping malls, stores, hotels, exhibition halls, museums etc.

A LED version is also available and it is guaranteed by the use of last generation light sources, which ensure excellent performance with maximum energy efficiency. This, in combination with an efficient thermal management, makes T8400 KADRO a warranty for premium lighting with LED technology.

**Technical Features**

- Aluminium recessing frame, painted electrostatically in selected colour.
- Deep steel cover.
- Outer adjustable ring from die-cast aluminium.
- Inner ring for easy lamp replacement.
- High pure aluminium reflectors in Spot, Medium, Wide versions.
- Tempered protection glass.
- Easy mounting with clips.

**Upon request:**

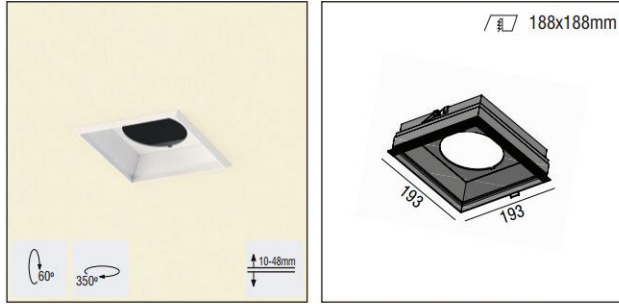
Available with highest colour rendering index (CRI)

**For LED Version**

- Pure light without IR/UV radiation.
- 7W up to 10,5W wattage range and 720 up to 1140 luminous flux range.
- Aluminum heatsink anodized.
- Operation life: 50,000 hours with efficiency > 70% of the initial luminous flux.
- Connection for operation with Constant Current.

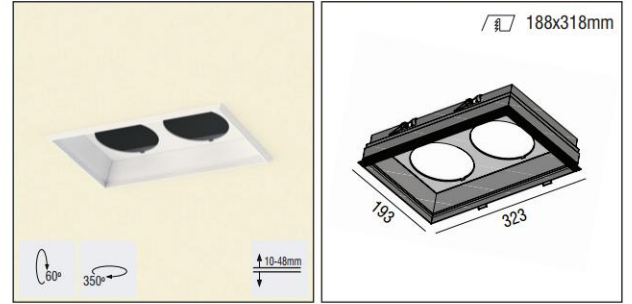
T8400 KADRO

T8400 KADRO 1x... Fitting



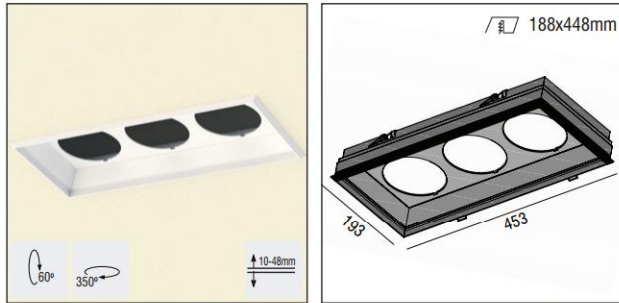
Code	Description	Kg
86280	T8400 KADRO 1x...	0,600

T8410 KADRO 2x... Fitting



Code	Description	Kg
86281	T8410 KADRO 2x...	0,970

T8420 KADRO 3x... Fitting



Code	Description	Kg
86282	T8420 KADRO 3x...	1,320

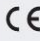


EXAMPLE



 T8410 KADRO 2x...		 MODULE 40 THETIS HIT-TC-CE/GU6,5		 BALLAST 20W ELECTRONIC	
<b>CODE</b>	<b>PIECE</b>	<b>CODE</b>	<b>PIECE</b>	<b>CODE</b>	<b>PIECE</b>
86281	1	80601	2	498113	2




T8400 KADRO+ Module 40 THETIS HIT-TC-CE

Module 40 THETIS HIT-TC-CE














HIT-TC-CE/GU6,5

- Version for HIT-TC-CE/GU6,5.
- Reflector: Spot, Medium, Wide.
- Tempered protection glass.

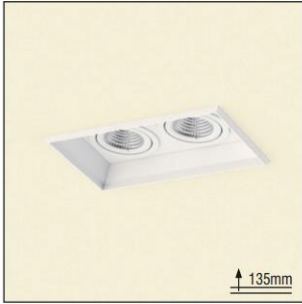
Code	Description	Kg
80601	MODULE 40 THETIS HIT-TC-CE/GU6,5 SPOT	0,250
80646	MODULE 40 THETIS HIT-TC-CE/GU6,5 MEDIUM	0,250
80647	MODULE 40 THETIS HIT-TC-CE/GU6,5 WIDE	0,250



T8400 KADRO

T8410 KADRO + Module 40 HERCULES LED REFLECTOR

Module 40 HERCULES LED REFLECTOR



CE	F	850°C	IP 20
60°	350°		
LED	ta 25°C	350/500mA	

- Reflectors: Spot, Medium, Wide.
- 7W power consumption driven at 350mA.
- 10,5W power consumption driven at 500mA.
- Efficiency:
  - 7W: 4000 K: 810 Lumen, CRI: min. 80, 116 Lm/W
  - 7W: 3000 K: 720 Lumen, CRI: min. 80, 103 Lm/W
  - 10,5W: 4000 K: 1140 Lumen, CRI: min. 80, 109 Lm/W
  - 10,5W: 3000 K: 1000 Lumen, CRI: min. 80, 95 Lm/W

Code	Description	Kg
80603	MODULE 40 HERCULES LED REFLECTOR 7/10,5W	0,350



T8420 KADRO + Module 40 IASON LED REFLECTOR HO

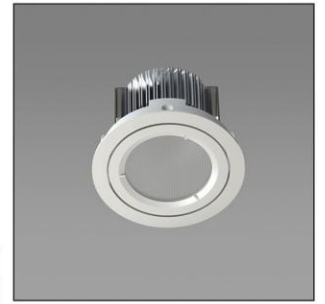
Module 40 IASON LED REFLECTOR HO



CE	F	850°C	IP 20
60°	350°		
LED	ta 25°C	350/500mA	

- Reflectors: Spot, Medium, Wide.
- 7W power consumption driven at 350mA.
- 10,5W power consumption driven at 500mA.
- Efficiency:
  - 7W: 4000 K: 810 Lumen, CRI: min. 80, 116 Lm/W
  - 7W: 3000 K: 720 Lumen, CRI: min. 80, 103 Lm/W
  - 10,5W: 4000 K: 1140 Lumen, CRI: min. 80, 109 Lm/W
  - 10,5W: 3000 K: 1000 Lumen, CRI: min. 80, 95 Lm/W

Code	Description	Kg
80604	MODULE 40 IASON LED REFLECTOR HO 7/10,5W	0,350



LED COLOUR CODES:

2 Warm 3 Neutral

BEAM CODES:

01 spot 02 medium 03 wide

Colour Codes:

0 Colours 1 White 2 Titan 3 Black 4 Chrome 5 matt Alum.

DRIVERS

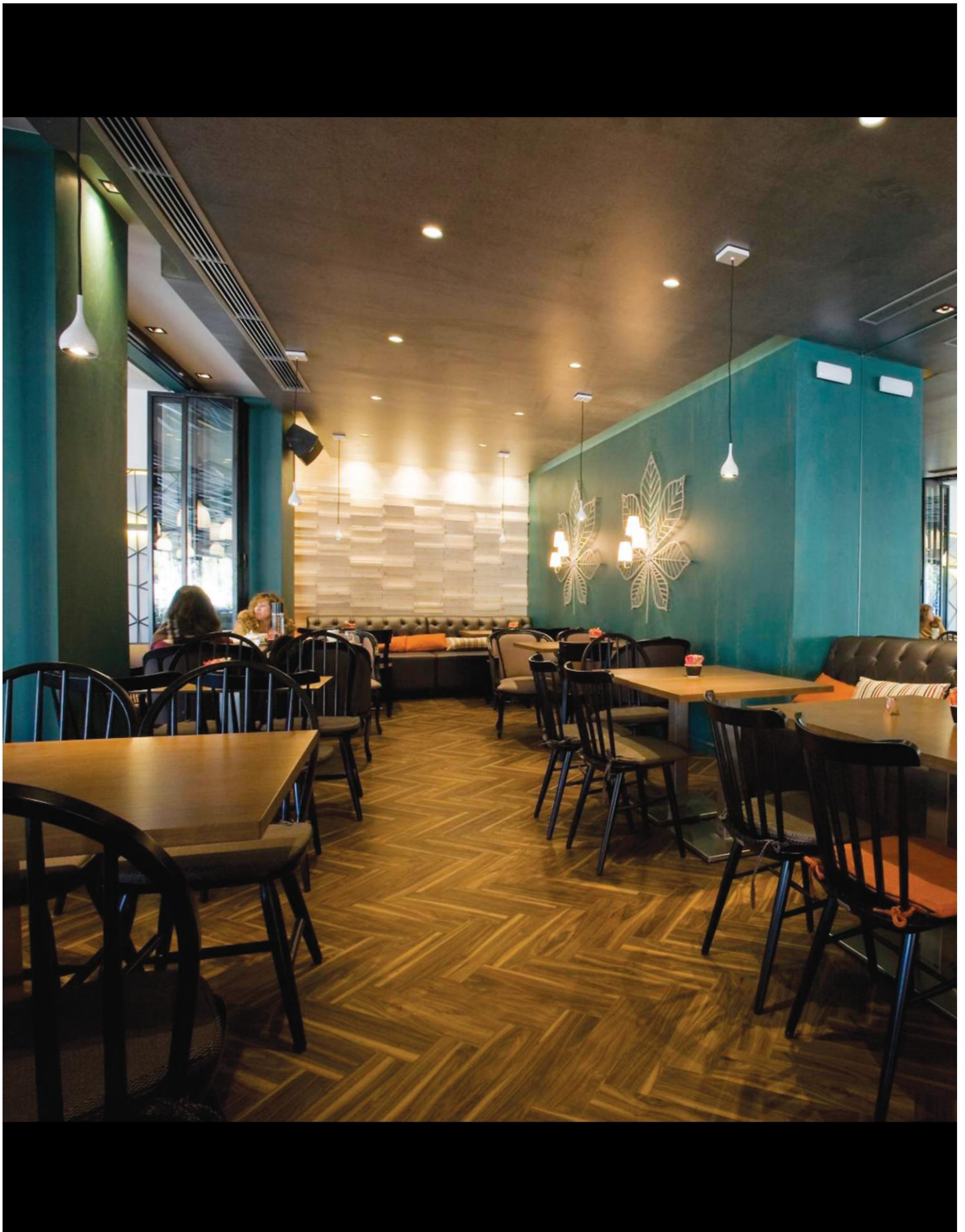
LED LUMINAIRES DESCRIPTION	N° Modules		DIMENSIONS mm			CODE
	min.	max.				
MODULE 40 THETIS GU6,5	20W	1	1	20W Electronic		498113
MODULE 40 THETIS GU6,5	35W	1	1	35W Electronic		498223
MODULE 40 HERCULES/IASON LED	1x 7W	1	1	350mA 8W IP20	70 x 35 x 21	800020
MODULE 40 HERCULES/IASON LED	2x 7W	1	2	350mA 15W IP20	160 x 22 x 19	800021
MODULE 40 HERCULES/IASON LED	3x 7W	1	3	350mA 25W IP20	123 x 80 x 22	800041
MODULE 40 HERCULES/IASON LED	1x 10,5W	1	1	500mA 12W IP20	120 x 35 x 19	800023
MODULE 40 HERCULES/IASON LED	2x 10,5W	1	2	500mA 30W IP20	160 x 50 x 22	800030
MODULE 40 HERCULES/IASON LED	3x 10,5W	1	3	500mA 32W IP20	123 x 80 x 22	800041

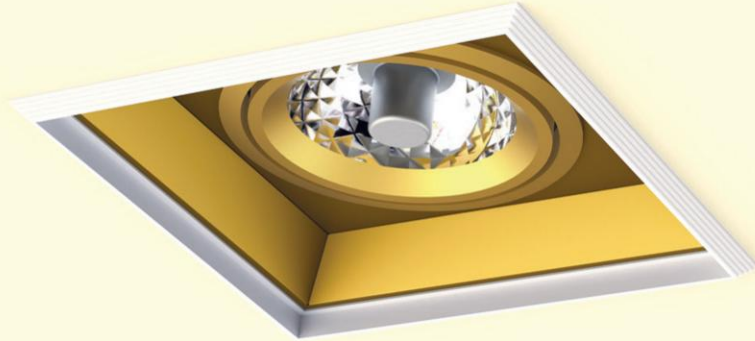
DIMMER DRIVERS

LED LUMINAIRES DESCRIPTION	N° Modules		DIMMER TYPE	DIMENSIONS mm	CODE		
	min.	max.					
MODULE 40 HERCULES/IASON	1x, 2x 7W	1	2	350mA 15W IP20	1-10Vdc/Push Button	145 x 40 x 28	800040
MODULE 40 HERCULES/IASON	3x 7W	1	3	350mA 25W IP20	1-10Vdc/Push Button*	123 x 80 x 22	800043
MODULE 40 HERCULES/IASON	3x 7W	1	3	350mA 25W IP20	1-10Vdc/Push Button/Dali*	123 x 80 x 22	800042
MODULE 40 HERCULES/IASON	1x, 2x 10,5W	1	2	500mA 22W IP20	1-10Vdc/Push Button	145 x 40 x 28	800040
MODULE 40 HERCULES/IASON	3x 10,5W	1	3	500mA 32W IP20	1-10Vdc/Push Button*	123 x 80 x 22	800043
MODULE 40 HERCULES/IASON	3x 10,5W	1	3	500mA 32W IP20	1-10Vdc/Push Button/Dali*	123 x 80 x 22	800042

\* Please order synchronization cable for each dimmer driver separately - Code: 800044 (4m)

T8400 KADRO



**T800 KADRO**

T800 KADRO is a deep recessed compact spot with rotation. It can satisfy multiple lighting requirements thanks to its wide variety of modules, and it highlights impressively premises, such as shopping malls, stores, hotels, exhibition halls, museums etc.

A LED version is also available and it is guaranteed by the use of last generation light sources, which ensure excellent performance with maximum energy efficiency. This, in combination with an efficient thermal management, makes T800 KADRO a warranty for premium lighting with LED technology.

**Technical Features**

- Aluminium recessing frame, painted electrostatically in selected colour.
- Deep steel cover.
- Outer adjustable ring from die-cast aluminium.
- Inner ring for easy lamp replacement.
- High pure aluminium reflectors in Spot, Medium, Wide versions.
- Tempered protection glass.
- Easy mounting with clips.

**Upon request:**

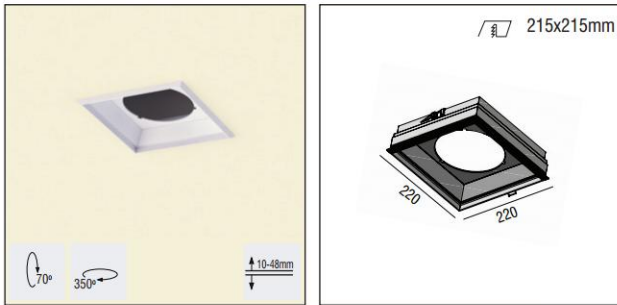
Available with highest colour rendering index (CRI)

**For LED Version**

- Pure light without IR/UV radiation.
- Die cast aluminum heatsink anodized.
- Efficient thermal management.
- 1800 lumen in 22W neutral edition or 2830 lumen in 30W.
- Operation life: 50,000 hours with efficiency > 70% of the initial luminous flux.
- Connection for operation with Constant Current.

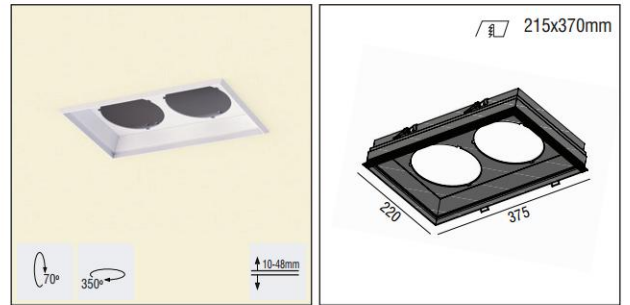
T800 KADRO

T800 KADRO 1x... Fitting



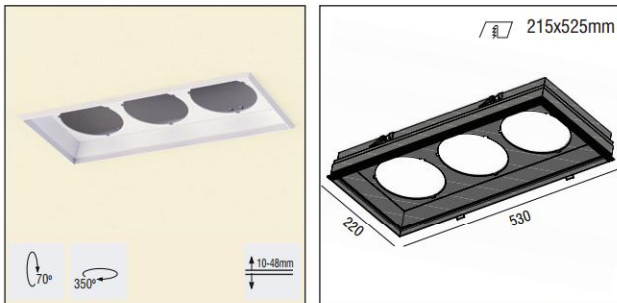
Code	Description	Kg
86277	T800 KADRO 1x...	0,730

T810 KADRO 2x... Fitting






Code	Description	Kg
86278	T810 KADRO 2x...	1,100

T820 KADRO 3x... Fitting



Code	Description	Kg
86279	T820 KADRO 3x...	1,450

EXAMPLE

 <p>T810 KADRO 2x...</p>		 <p>MODULE FLAT 60 HIT-CE/G12 MEDIUM</p>		 <p>BALLAST 70W ELECTRONIC</p>	
<b>CODE</b>	<b>PIECE</b>	<b>CODE</b>	<b>PIECE</b>	<b>CODE</b>	<b>PIECE</b>
86278	1	80611	2	498323	2

T800 KADRO + Module 60 POSIDON HI-PAR 111

Module 60 POSIDON HI-PAR 111



CE	F	850°C	IP 20
70°	350°		
OSRAM: HCL-H 111 PHILIPS: COM-H 111			
		35/70W CG	

- Version for HI-PAR 111/GX8,5.
- Outer adjustable ring from die-cast aluminium.
- Inner ring for easy lamp replacement.

Code	Description	Kg
80615	Module 60 POSIDON HI-PAR 111/GX8.5	0,250



T800 KADRO

T810 KADRO + Module 60 DIONISOS QR111

Module 60 DIONISOS QR111



CE	F	850°C	IP 20
70°	350°		
OSRAM HALOSPOT 111 PHILIPS ALUOS 111			607025W 12V

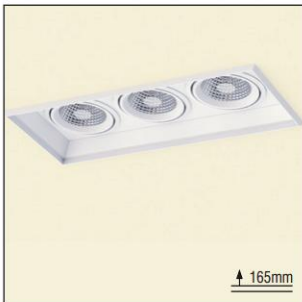
- Version for QR111/G53.
- Outer adjustable ring from die-cast aluminium.
- Inner ring for easy lamp replacement.

Code	Description	Kg
80610	Module 60 DIONISOS QR111/G53	0,250



T820 KADRO + Module 60 APOLLON HIT-CE

Module 60 APOLLON HIT-CE



CE	F	850°C	IP 20
70°	350°		
OSRAM HIT-T PHILIPS COM-T			3570250W G8

- Version for HIT-CE/G12.
- Outer adjustable ring from die-cast aluminium.
- Inner ring for easy lamp replacement.
- High pure aluminium reflectors in Spot, Medium, Wide.
- Tempered protection glass.

Code	Description	Kg
80612	Module 60 APOLLON HIT-CE/G12 SPOT	0,500
80611	Module 60 APOLLON HIT-CE/G12 MEDIUM	0,500
80619	Module 60 APOLLON HIT-CE/G12 WIDE	0,500



T800 KADRO + Module 60 IFESTOS HIT-TC-CE

Module 60 IFESTOS HIT-TC-CE



CE	F	850°C	IP 20
70°	350°		
OSRAM HIT-TC PHILIPS COM-TC			203570W G8

- Version for HIT-TC-CE/G8,5.
- Outer adjustable ring from die-cast aluminium.
- Inner ring for easy lamp replacement.
- High pure aluminium reflectors in Spot, Medium, Wide.
- Tempered protection glass.

Code	Description	Kg
80614	Module 60 IFESTOS HIT-TC-CE /G8,5 SPOT	0,500
80613	Module 60 IFESTOS HIT-TC-CE /G8,5 MEDIUM	0,500
80620	Module 60 IFESTOS HIT-TC-CE /G8,5 WIDE	0,500



T810 KADRO + Module 60 ARIS LED R111

Module 60 ARIS LED R111



CE	F	850°C	IP 20
70°	350°		
LED			

- Version for LED R111/GU10.
- Outer adjustable ring from die-cast aluminium.
- Inner ring for easy lamp replacement.
- Connection for 230V/50Hz.

Code	Description	Kg
80616	Module 60 ARIS LED R111/GU10/230V	0,300



T820 KADRO + Module 60 DIAS LED

Module 60 DIAS LED



CE	F	850°C	IP 20
70°	350°		
LED	500/700mA G8	ta 25°C	

- Version with LED Module.
- Outer adjustable ring from die-cast aluminium.
- Inner ring for easy lamp replacement.
- 22W power consumption driven at 500mA.
- 30W power consumption driven at 700mA.
- Efficiency:
- 22W: 4000 K: 1800 Lumen, CRI: min. 75
- 22W: 3000 K: 1800 Lumen, CRI: min. 80
- 30W: 4000 K: 2830 Lumen, CRI: min. 75
- 30W: 3000 K: 2830 Lumen, CRI: min. 80
- Maximum: 95 Lm/W

Code	Description	Kg
80618	Module 60 DIAS LED CHIP 22W	0,750
80621	Module 60 DIAS LED CHIP 30W	0,900





T800 KADRO

T800 KADRO + Module 60 KRONOS HIT-TC-CE

Module 60 KRONOS HIT-TC-CE



CE	F	850°C	IP 20
60°	350°		
HIT-TC-CE/GU6,5			20/35W CG
OSRAM: HIT-TC PHILIPS: COM To			

- Version for HIT-TC-CE/GU6,5.
- Outer adjustable ring from die-cast aluminium.
- Die-cast aluminium spot inside.
- High pure aluminium reflectors in Spot, Medium, Wide.
- Tempered protection glass.

Code	Description	Kg
80648	Module 60 KRONOS HIT-TC-CE /GU6,5 SPOT	0,940
80649	Module 60 KRONOS HIT-TC-CE /GU6,5 MEDIUM	0,940
80650	Module 60 KRONOS HIT-TC-CE /GU6,5 WIDE	0,940



T800 KADRO + Module 60 KRONOS LED

Module 60 KRONOS LED



CE	F	850°C	IP 20
60°	350°		
LED	500mA CG	ta 25°C	

- Version with LED Module.
- Outer adjustable ring from die-cast aluminium.
- Die-cast aluminium spot inside.
- 22W power consumption driven at 500mA.
- Efficiency:  
22W: 4000 K: 1800 Lumen, CRI: min. 75  
22W: 3000 K: 1800 Lumen, CRI: min. 80  
Maximum: 95 Lm/W

Code	Description	Kg
80622	Module 60 KRONOS LED CHIP 22W	0,940



LED COLOUR CODES:

- 2 Warm 3 Neutral

BEAM CODES:

- 01 spot 02 medium 03 wide

Colour Codes:

- 0 Colours 1 White 2 Titan 3 Black 4 Chrome 5 matt Alum.

DRIVERS			
LED LUMINAIRES DESCRIPTION	N° Modules		CODE
	min.	max.	
MODULE 60 IFESTOS G8,5	1	1	20W HIT Electronic 498113
MODULE 60 APOLLON/IFESTOS/POSIDON G12/G8,5/GX8,5	1	1	35W HIT Electronic 498223
MODULE 60 APOLLON/IFESTOS/POSIDON G12/G8,5/GX8,5	1	1	35W HIT Magnetic AVO 498222
MODULE 60 APOLLON/IFESTOS/POSIDON G12/G8,5/GX8,5	1	1	70W HIT Electronic 498323
MODULE 60 APOLLON/IFESTOS/POSIDON G12/G8,5/GX8,5	1	1	70W HIT Magnetic DISPLAY 498312
MODULE 60 APOLLON G12	1	1	150W HIT Electronic 498623
MODULE 60 APOLLON G12	1	1	150W HIT Magnetic DISPLAY 498612
MODULE 60 DIONISOS G53	1	-	60W 12V DC 800005
MODULE 60 DIONISOS G53	1	-	70W 12V DC 800006
MODULE 60 DIONISOS G53	1	-	105W 12V DC 800007
MODULE 60 DIAS/KRONOS LED 22W CG	1	1	500mA 30W IP20 (dimensions 156 x 50 x 23) 498706
MODULE 60 DIAS LED 30W CG	1	1	700mA 30W IP20 (dimensions 156 x 50 x 23) 498705

DIMMER DRIVERS					
LED LUMINAIRES DESCRIPTION	N° Modules		DIMMER TYPE	DIMENSIONS mm	CODE
	min.	max.			
MODULE 60 DIAS/KRONOS LED 22W CG	1	1	500mA 32W IP20	1-10Vdc/Push Button*	123 x 80 x 22 498703
MODULE 60 DIAS/KRONOS LED 22W CG	1	1	500mA 32W IP20	1-10Vdc/Push Button/Dali*	123 x 80 x 22 498704
MODULE 60 DIAS LED 30W CG	1	1	700mA 50W IP20	1-10Vdc/Push Button*	123 x 80 x 22 498703
MODULE 60 DIAS LED 30W CG	1	1	700mA 50W IP20	1-10Vdc/Push Button/Dali*	123 x 80 x 22 498704

\* Please order synchronization cable for each dimmer driver separately - Code: 800044 (4m)

## SOL 1 - SOL 1Q



A trimless luminaire with great flexibility and high performance. It's unique design, with the lamp position deeper from the ceiling level, raises the architectural interest and impresses the observer. There are two frames, round and square, in which eight different modules of light sources can be intergrated. Thanks to it's optimal optical system, it offers precise, uniform light distribution and excellent lighting quality.

### Technical Features

- Trimless recessing frame, in round or square shape, painted electrostatically in selected colour from die-cast aluminium.
- Double internal adjustable ring from die-cast aluminium.
- High pure aluminium reflectors in Spot, Medium, Wide versions.
- Tempered protection glass.
- Easy mounting.

#### For LED Version

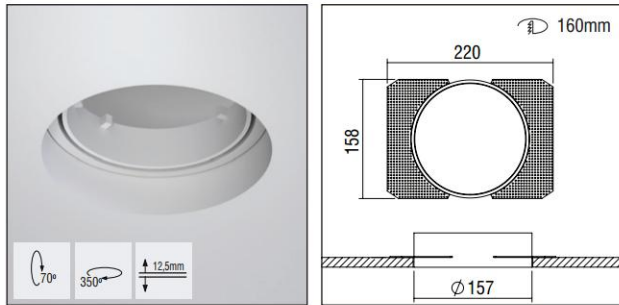
- Pure light without IR/UV radiation.
- Die cast aluminum heatsink anodized.
- Efficient thermal management.
- 1800 lumen in 22W neutral edition or 2830 lumen in 30W.
- Operation life: 50,000 hours with efficiency > 70% of the initial luminous flux.
- Connection for operation with Constant Current.

#### Upon request:

Available with highest colour rendering index (CRI)

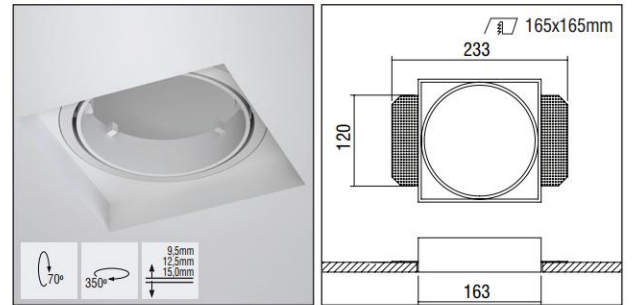
SOL 1 - SOL 1Q

SOL 1 Fitting






Code	Description	Kg
86808	SOL 1	0,260

SOL 1Q Fitting



Code	Description	Kg
86819	SOL 1Q	0,520




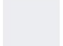

EXAMPLE

 SOL 1Q	 MODULE 60 DIONISOS QR111	 TRAFO 105W 12V AC			
<b>CODE</b>	<b>PIECE</b>	<b>CODE</b>	<b>PIECE</b>	<b>CODE</b>	<b>PIECE</b>
86819	1	80610	1	800007	1

SOL 1Q + Module 60 DIONISOS QR111

Module 60 DIONISOS QR111



CE	F	850°C	IP 20
			
			

- Version for QR111/G53.
- Outer adjustable ring from die-cast aluminium.
- Inner ring for easy lamp replacement.

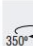
Code	Description	Kg
80610	Module 60 DIONISOS QR111/G53	0,250



SOL 1 + Module 60 POSIDON HI-PAR 111

Module 60 POSIDON HI-PAR 111



CE	F	850°C	IP 20
			
			

- Version for HI-PAR 111/GX8,5.
- Outer adjustable ring from die-cast aluminium.
- Inner ring for easy lamp replacement.









Code	Description	Kg
80615	Module 60 POSIDON HI-PAR 111/GX8.5	0,250



SOL 1 + Module 60 APOLLON HIT-CE

Module 60 APOLLON HIT-CE



CE	F	850°C	IP 20
			
			
			

- Version for HIT-CE/G12.
- Outer adjustable ring from die-cast aluminium.
- Inner ring for easy lamp replacement.
- High pure aluminium reflectors in Spot, Medium, Wide.
- Tempered protection glass.

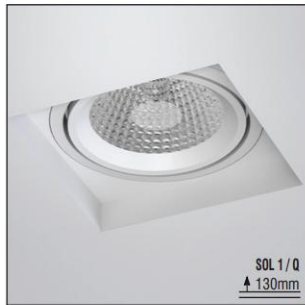
Code	Description	Kg
80612	Module 60 APOLLON HIT-CE/G12 SPOT	0,500
80611	Module 60 APOLLON HIT-CE/G12 MEDIUM	0,500
80619	Module 60 APOLLON HIT-CE/G12 WIDE	0,500



SOL 1 - SOL 1Q

SOL 1Q + Module 60 IFESTOS HIT-TC-CE

Module 60 IFESTOS HIT-TC-CE



CE	F	850°C	IP 20
70°	350°		
OSRAM: HCD-TC PHILIPS: CDM-Tc			230V/70W CG

- Version for HIT-TC-CE/G8,5.
- Outer adjustable ring from die-cast aluminium.
- Inner ring for easy lamp replacement.
- High pure aluminium reflectors in Spot, Medium, Wide.
- Tempered protection glass.

Code	Description	Kg
80614	Module 60 IFESTOS HIT-TC-CE /G8,5 SPOT	0,500
80613	Module 60 IFESTOS HIT-TC-CE /G8,5 MEDIUM	0,500
80620	Module 60 IFESTOS HIT-TC-CE /G8,5 WIDE	0,500



SOL 1 + Module 60 ARIS LED R111

Module 60 ARIS LED R111



CE	F	850°C	IP 20
70°	350°		
LED			

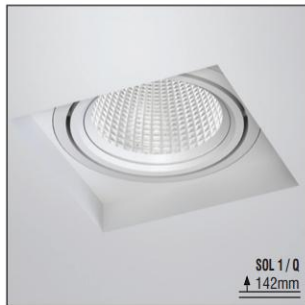
- Version for LED R111/GU10.
- Outer adjustable ring from die-cast aluminium.
- Inner ring for easy lamp replacement.
- Connection for 230V/50Hz.

Code	Description	Kg
80616	Module 60 ARIS LED R111/GU10/230V	0,300



SOL 1Q + Module 60 DIAS LED

Module 60 DIAS LED



CE	F	850°C	IP 20
70°	350°		
LED	500/700mA CG	ta 25°C	

- Version with LED Module.
- Outer adjustable ring from die-cast aluminium.
- Inner ring for easy lamp replacement.
- 22W power consumption driven at 500mA.
- 30W power consumption driven at 700mA.
- Efficiency:

Code	Description	Kg
80618	Module 60 DIAS LED CHIP 22W	0,750
80621	Module 60 DIAS LED CHIP 30W	0,900



SOL 1 + Module 60 KRONOS HIT-TC-CE

Module 60 KRONOS HIT-TC-CE



CE	F	850°C	IP 20
60°	350°		
HIT-TC-CEGU6,5 OSRAM: HCD-TF PHILIPS: CDM Tm			20/50W CG

- Version for HIT-TC-CE/GU6,5.
- Outer adjustable ring from die-cast aluminium.
- Die-cast aluminium spot inside.
- High pure aluminium reflectors in Spot, Medium, Wide.
- Tempered protection glass.

Code	Description	Kg
80648	Module 60 KRONOS HIT-TC-CE /GU6,5 SPOT	0,940
80649	Module 60 KRONOS HIT-TC-CE /GU6,5 MEDIUM	0,940
80650	Module 60 KRONOS HIT-TC-CE /GU6,5 WIDE	0,940



SOL 1Q + Module 60 KRONOS LED

Module 60 KRONOS LED



CE	F	850°C	IP 20
60°	350°		
LED	500mA CG	ta 25°C	

- Version with LED Module.
- Outer adjustable ring from die-cast aluminium.
- Die-cast aluminium spot inside.
- 22W power consumption driven at 500mA.
- Efficiency:

Code	Description	Kg
80622	Module 60 KRONOS LED CHIP 22W	0,940



SOL 1 - SOL 1Q

LED COLOUR CODES:

2 Warm 3 Neutral

BEAM CODES:

01 spot 02 medium 03 wide

Colour Codes:

0 Colours 1 White 2 Titan 3 Black 4 Chrome 5 matt Alum.

DRIVERS						
LED LUMINAIRES DESCRIPTION	N° Modules					CODE
	min.	max.				
MODULE 60 IFESTOS G8,5	1	1	20W	HIT	Electronic	498113
MODULE 60 APOLLON/IFESTOS/POSIDON G12/G8,5/GX8,5	1	1	35W	HIT	Electronic	498223
MODULE 60 APOLLON/IFESTOS/POSIDON G12/G8,5/GX8,5	1	1	35W	HIT	Magnetic AVO	498222
MODULE 60 APOLLON/IFESTOS/POSIDON G12/G8,5/GX8,5	1	1	70W	HIT	Electronic	498323
MODULE 60 APOLLON/IFESTOS/POSIDON G12/G8,5/GX8,5	1	1	70W	HIT	Magnetic DISPLAY	498312
MODULE 60 APOLLON G12	1	1	150W	HIT	Electronic	498623
MODULE 60 APOLLON G12	1	1	150W	HIT	Magnetic DISPLAY	498612
MODULE 60 DIONISOS G53	1	-	60W	12V	DC	800005
MODULE 60 DIONISOS G53	1	-	70W	12V	DC	800006
MODULE 60 DIONISOS G53	1	-	105W	12V	DC	800007
MODULE 60 DIAS/KRONOS LED 22W CG	1	1	500mA 30W	IP20	(dimensions 156 x 50 x 23)	498706
MODULE 60 DIAS LED 30W CG	1	1	700mA 30W	IP20	(dimensions 156 x 50 x 23)	498705

DIMMER DRIVERS						
LED LUMINAIRES DESCRIPTION	N° Modules		DIMMER TYPE	DIMENSIONS mm		CODE
	min.	max.				
MODULE 60 DIAS/KRONOS LED 22W CG	1	1	500mA 32W IP20	1-10Vdc/Push Button*	123 x 80 x 22	498703
MODULE 60 DIAS/KRONOS LED 22W CG	1	1	500mA 32W IP20	1-10Vdc/Push Button/Dali*	123 x 80 x 22	498704
MODULE 60 DIAS LED 30W CG	1	1	700mA 50W IP20	1-10Vdc/Push Button*	123 x 80 x 22	498703
MODULE 60 DIAS LED 30W CG	1	1	700mA 50W IP20	1-10Vdc/Push Button/Dali*	123 x 80 x 22	498704

\* Please order **synchronization cable** for each dimmer driver separately - Code: 800044 (4m)



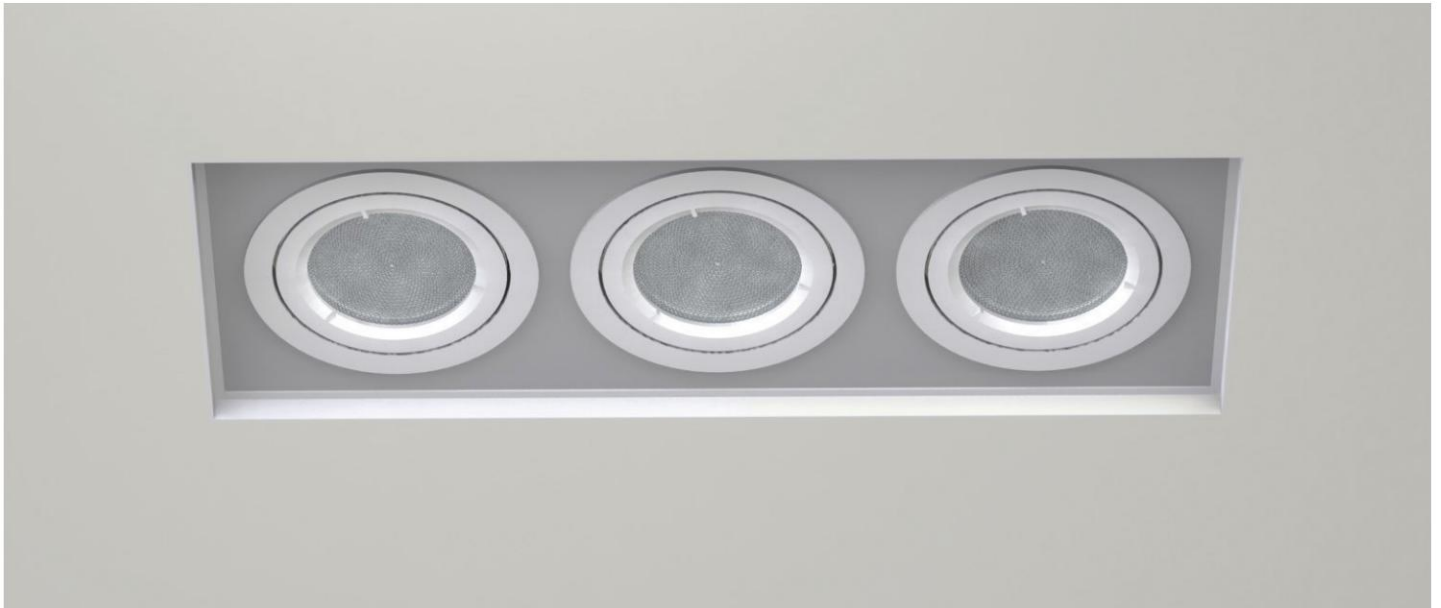
SOL 1 - SOL 1Q



SOL 1 - SOL 1Q



## T7400



T7400 is a trimless recessed compact spot with rotation. It can satisfy multiple lighting requirements thanks to its wide variety of modules, and it highlights impressively premises, such as shopping malls, stores, hotels, exhibition halls, museums etc.

A LED version is also available and it is guaranteed by the use of last generation light sources, which ensure excellent performance with maximum energy efficiency. This, in combination with an efficient thermal management, makes T7400 a warranty for premium lighting with LED technology.

### Technical Features

- Trimless recessing frame, painted electrostatically in selected colour from die-cast aluminium.
- Outer adjustable ring from die-cast aluminium.
- Inner ring for easy lamp replacement.
- High pure aluminium reflectors in Spot, Medium, Wide versions.
- Tempered protection glass.
- Easy mounting.

#### For LED Version

- Pure light without IR/UV radiation.
- 7W up to 10,5W wattage range and 720 up to 1140 luminous flux range.
- Aluminum heatsink anodized.
- Operation life: 50,000 hours with efficiency > 70% of the initial luminous flux.
- Connection for operation with Constant Current.

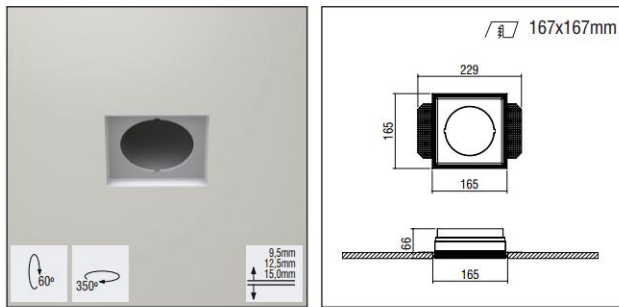
#### Upon request:

Available with highest colour rendering index (CRI)



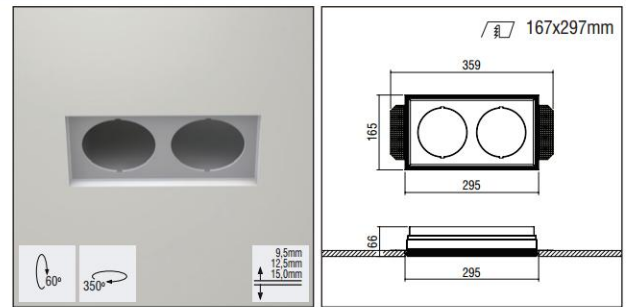
T7400

T7400 1x... Fitting



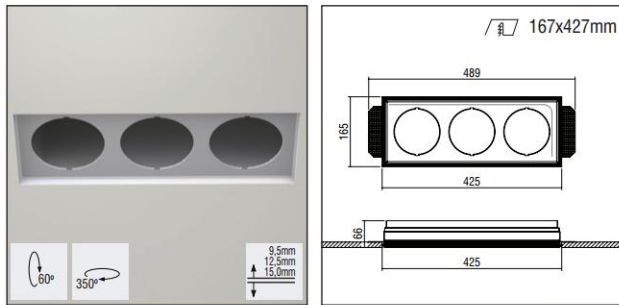
Code	Description	Kg
86260	T7400 1x...	0,500

T7410 2x... Fitting



Code	Description	Kg
86262	T7410 2x...	0,770

T7420 3x... Fitting



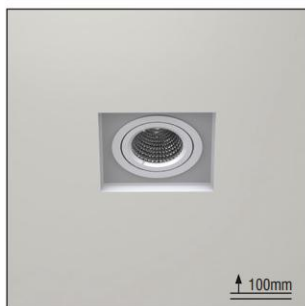
Code	Description	Kg
86264	T7420 3x...	1,020



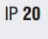
EXAMPLE



 <p>T7420 3x...</p>		 <p>MODULE 40 HERCULES LED REFLECTOR</p>		 <p>DRIVER 500mA 32W</p>	
<b>CODE</b>	<b>PIECE</b>	<b>CODE</b>	<b>PIECE</b>	<b>CODE</b>	<b>PIECE</b>
86264	1	80603	3	800041	1




T7400+ Module 40 THETIS HIT-TC-CE

Module 40 THETIS HIT-TC-CE







HIT-TC-CE/GU6,5

OSRAM: HCS-TF PHILIPS: CDM-TU

20/35W



- Version for HIT-TC-CE/GU6,5.
- Reflector: Spot, Medium, Wide.
- Tempered protection glass.

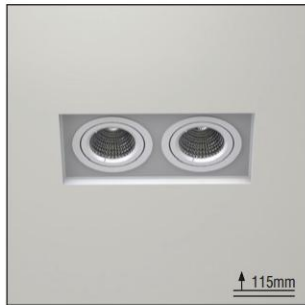
Code	Description	Kg
80601	MODULE 40 THETIS HIT-TC-CE/GU6,5 SPOT	0,250
80646	MODULE 40 THETIS HIT-TC-CE/GU6,5 MEDIUM	0,250
80647	MODULE 40 THETIS HIT-TC-CE/GU6,5 WIDE	0,250



T7400

T7410+ Module 40 HERCULES LED REFLECTOR

Module 40 HERCULES LED REFLECTOR



CE F 850°C IP 20

60° 350°

LED

ta 25°C

350/500mA

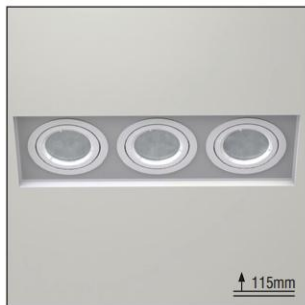
- Reflectors: Spot, Medium, Wide.
- 7W power consumption driven at 350mA.
- 10,5W power consumption driven at 500mA.
- Efficiency:
  - 7W: 4000 K: 810 Lumen, CRI: min. 80, 116 Lm/W
  - 7W: 3000 K: 720 Lumen, CRI: min. 80, 103 Lm/W
  - 10,5W: 4000 K: 1140 Lumen, CRI: min. 80, 109 Lm/W
  - 10,5W: 3000 K: 1000 Lumen, CRI: min. 80, 95 Lm/W

Code	Description	Kg
80603	MODULE 40 HERCULES LED REFLECTOR 7/10,5W	0,350



T7420+ Module 40 IASON LED REFLECTOR HO

Module 40 IASON LED REFLECTOR HO



CE F 850°C IP 20

60° 350°

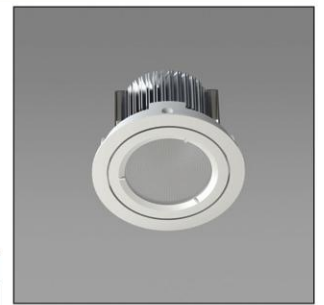
LED

ta 25°C

350/500mA

- Reflectors: Spot, Medium, Wide.
- 7W power consumption driven at 350mA.
- 10,5W power consumption driven at 500mA.
- Efficiency:
  - 7W: 4000 K: 810 Lumen, CRI: min. 80, 116 Lm/W
  - 7W: 3000 K: 720 Lumen, CRI: min. 80, 103 Lm/W
  - 10,5W: 4000 K: 1140 Lumen, CRI: min. 80, 109 Lm/W
  - 10,5W: 3000 K: 1000 Lumen, CRI: min. 80, 95 Lm/W

Code	Description	Kg
80604	MODULE 40 IASON LED REFLECTOR HO 7/10,5W	0,350



LED COLOUR CODES:

2 Warm 3 Neutral

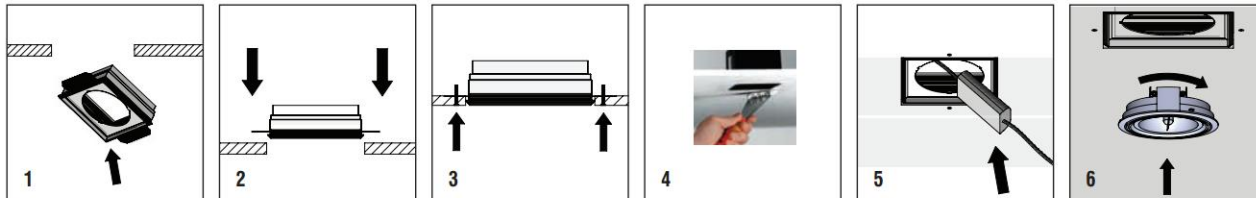
BEAM CODES:

01 spot 02 medium 03 wide

Colour Codes:

0 Colours 1 White 2 Titan 3 Black 4 Chrome 5 matt Alum.

INSTALLATION



DRIVERS							
LED LUMINAIRES DESCRIPTION	N° Modules	min. max.		DIMENSIONS mm	CODE		
		20W	1		1	20W Electronic	
MODULE 40 THETIS GU6,5	35W	1	1	35W Electronic	498223		
MODULE 40 HERCULES/IASON LED	1x 7W	1	1	350mA 8W IP20	70 x 35 x 21	800020	
MODULE 40 HERCULES/IASON LED	2x 7W	1	2	350mA 15W IP20	160 x 22 x 19	800021	
MODULE 40 HERCULES/IASON LED	3x 7W	1	3	350mA 25W IP20	123 x 80 x 22	800041	
MODULE 40 HERCULES/IASON LED	1x 10,5W	1	1	500mA 12W IP20	120 x 35 x 19	800023	
MODULE 40 HERCULES/IASON LED	2x 10,5W	1	2	500mA 30W IP20	160 x 50 x 22	800030	
MODULE 40 HERCULES/IASON LED	3x 10,5W	1	3	500mA 32W IP20	123 x 80 x 22	800041	

DIMMER DRIVERS								
LED LUMINAIRES DESCRIPTION	N° Modules	min. max.		DIMMER TYPE	DIMENSIONS mm	CODE		
		1x, 2x 7W	1			2	350mA 15W IP20	
MODULE 40 HERCULES/IASON	3x 7W	1	3	350mA 25W IP20	1-10Vdc/Push Button*	123 x 80 x 22	800043	
MODULE 40 HERCULES/IASON	3x 7W	1	3	350mA 25W IP20	1-10Vdc/Push Button/Dali*	123 x 80 x 22	800042	
MODULE 40 HERCULES/IASON	1x, 2x 10,5W	1	2	500mA 22W IP20	1-10Vdc/Push Button	145 x 40 x 28	800040	
MODULE 40 HERCULES/IASON	3x 10,5W	1	3	500mA 32W IP20	1-10Vdc/Push Button*	123 x 80 x 22	800043	
MODULE 40 HERCULES/IASON	3x 10,5W	1	3	500mA 32W IP20	1-10Vdc/Push Button/Dali*	123 x 80 x 22	800042	

\* Please order synchronization cable for each dimmer driver separately - Code: 800044 (4m)

T7400



## T700



T700 is a trimless recessed compact spot with rotation. It can satisfy multiple lighting requirements thanks to its wide variety of modules, and it highlight impressively premises, such as shopping malls, stores, hotels, exhibition halls, museums etc.

A LED version is also available and it is guaranteed by the use of last generation light sources, which ensure excellent performance with maximum energy efficiency. This, in combination with an efficient thermal management, makes T700 a warranty for premium lighting with LED technology.

### Technical Features

- Trimless recessing frame, painted electrostatically in selected colour from die-cast aluminium.
- Outer adjustable ring from die-cast aluminium.
- Inner ring for easy lamp replacement.
- High pure aluminium reflectors in Spot, Medium, Wide versions.
- Tempered protection glass.
- Easy mounting.

#### For LED Version

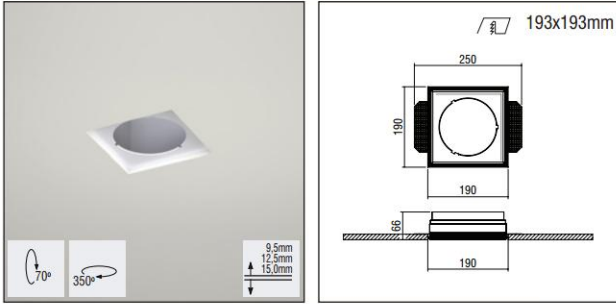
- Pure light without IR/UV radiation.
- Die cast aluminum heatsink anodized.
- Efficient thermal management.
- 1800 lumen in 22W neutral edition or 2830 lumen in 30W.
- Operation life: 50,000 hours with efficiency > 70% of the initial luminous flux.
- Connection for operation with Constant Current.

#### Upon request:

Available with highest colour rendering index (CRI)

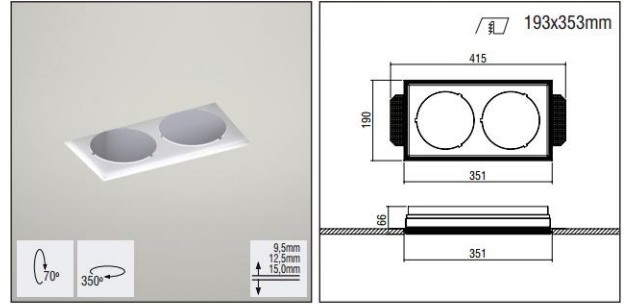
T700

T700 1x... Fitting



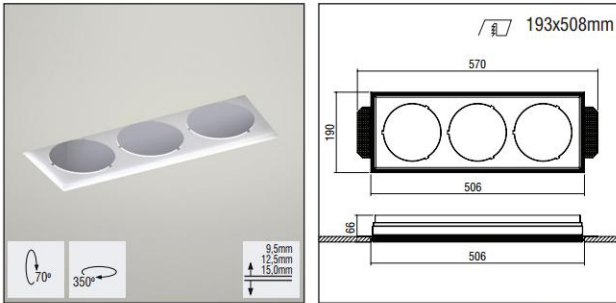
Code	Description	Kg
86110	T700 1x...	0,580

T710 2x... Fitting



Code	Description	Kg
86121	T710 2x...	0,850

T720 3x... Fitting



Code	Description	Kg
86142	T720 3x...	1,100

EXAMPLE

T720 3x...		MODULE FLAT 60 HIT-CE/G12 MEDIUM		BALLAST 70W ELECTRONIC	
CODE	PIECE	CODE	PIECE	CODE	PIECE
86142	1	80611	3	498323	3

T700 + Module 60 POSIDON HI-PAR 111

Module 60 POSIDON HI-PAR 111



CE	F	850°C	IP 20
70°	350°		
OSRAM: HCL-H 111 PHILIPS: COM-R 111			
		35/70W CG	

- Version for HI-PAR 111/GX8,5.
- Outer adjustable ring from die-cast aluminium.
- Inner ring for easy lamp replacement.

Code	Description	Kg
80615	Module 60 POSIDON HI-PAR 111/GX8.5	0,250



T700

T710 + Module 60 DIONISOS QR111

Module 60 DIONISOS QR111



CE	F	850°C	IP 20
70°	350°		
OSRAM HALOPOF 111 PHILIPS ALUOS 111			607025W 12V

- Version for QR111/G53.
- Outer adjustable ring from die-cast aluminium.
- Inner ring for easy lamp replacement.

Code	Description	Kg
80610	Module 60 DIONISOS QR111/G53	0,250



T720 + Module 60 APOLLON HIT-CE

Module 60 APOLLON HIT-CE



CE	F	850°C	IP 20
70°	350°		
OSRAM HIT-CE PHILIPS COM-T			3570250W CG

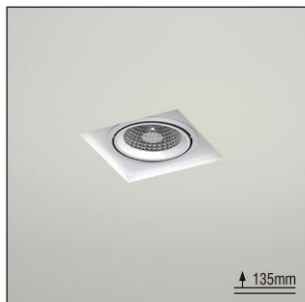
- Version for HIT-CE/G12.
- Outer adjustable ring from die-cast aluminium.
- Inner ring for easy lamp replacement.
- High pure aluminium reflectors in Spot, Medium, Wide.
- Tempered protection glass.

Code	Description	Kg
80612	Module 60 APOLLON HIT-CE/G12 SPOT	0,500
80611	Module 60 APOLLON HIT-CE/G12 MEDIUM	0,500
80619	Module 60 APOLLON HIT-CE/G12 WIDE	0,500



T700 + Module 60 IFESTOS HIT-TC-CE

Module 60 IFESTOS HIT-TC-CE



CE	F	850°C	IP 20
70°	350°		
OSRAM HIT-TC PHILIPS COM-TC			2003570W CG

- Version for HIT-TC-CE/G8,5.
- Outer adjustable ring from die-cast aluminium.
- Inner ring for easy lamp replacement.
- High pure aluminium reflectors in Spot, Medium, Wide.
- Tempered protection glass.

Code	Description	Kg
80614	Module 60 IFESTOS HIT-TC-CE /G8,5 SPOT	0,500
80613	Module 60 IFESTOS HIT-TC-CE /G8,5 MEDIUM	0,500
80620	Module 60 IFESTOS HIT-TC-CE /G8,5 WIDE	0,500



T710 + Module 60 ARIS LED R111

Module 60 ARIS LED R111



CE	F	850°C	IP 20
70°	350°		
LED			

- Version for LED R111/GU10.
- Outer adjustable ring from die-cast aluminium.
- Inner ring for easy lamp replacement.
- Connection for 230V/50Hz.

Code	Description	Kg
80616	Module 60 ARIS LED R111/GU10/230V	0,300



T720 + Module 60 DIAS LED

Module 60 DIAS LED



CE	F	850°C	IP 20
70°	350°		
LED	500/700mA CG	ta 25°C	

- Version with LED Module.
  - Outer adjustable ring from die-cast aluminium.
  - Inner ring for easy lamp replacement.
  - 22W power consumption driven at 500mA.
  - 30W power consumption driven at 700mA.
  - Efficiency:
- |      |                                  |
|------|----------------------------------|
| 22W: | 4000 K: 1800 Lumen, CRI: min. 75 |
| 22W: | 3000 K: 1800 Lumen, CRI: min. 80 |
| 30W: | 4000 K: 2830 Lumen, CRI: min. 75 |
| 30W: | 3000 K: 2830 Lumen, CRI: min. 80 |
|      | Maximum: 95 Lm/W                 |

Code	Description	Kg
80618	Module 60 DIAS LED CHIP 22W	0,750
80621	Module 60 DIAS LED CHIP 30W	0,900



T700

T700 + Module 60 KRONOS HIT-TC-CE

Module 60 KRONOS HIT-TC-CE



CE F 850°C IP 20

60° 350°

HIT-TC-CE/GU6,5

20/35W CG

85mm

- Version for HIT-TC-CE/GU6,5.
- Outer adjustable ring from die-cast aluminium.
- Die-cast aluminium spot inside.
- High pure aluminium reflectors in Spot, Medium, Wide.
- Tempered protection glass.

Code	Description	Kg
80648	Module 60 KRONOS HIT-TC-CE /GU6,5 SPOT	0,940
80649	Module 60 KRONOS HIT-TC-CE /GU6,5 MEDIUM	0,940
80650	Module 60 KRONOS HIT-TC-CE /GU6,5 WIDE	0,940



T700 + Module 60 KRONOS LED

Module 60 KRONOS LED



CE F 850°C IP 20

60° 350°

LED

500mA CG

25°C

85mm

- Version with LED Module.
  - Outer adjustable ring from die-cast aluminium.
  - Die-cast aluminium spot inside.
  - 22W power consumption driven at 500mA.
  - Efficiency:
- 22W: 4000 K: 1800 Lumen, CRI: min. 75  
 22W: 3000 K: 1800 Lumen, CRI: min. 80  
 Maximum: 95 Lm/W

Code	Description	Kg
80622	Module 60 KRONOS LED CHIP 22W	0,940



LED COLOUR CODES:

- 2 Warm 3 Neutral

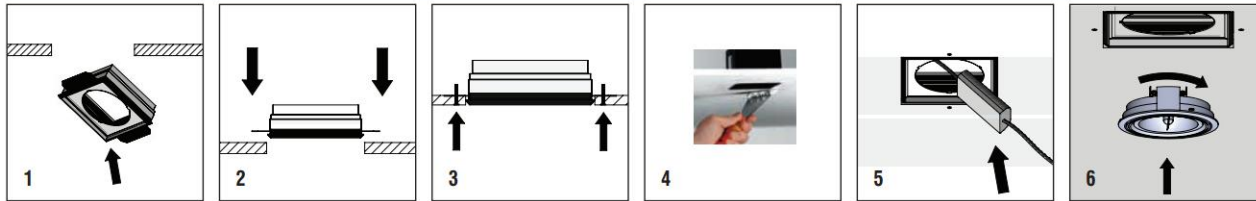
BEAM CODES:

- 01 spot 02 medium 03 wide

Colour Codes:

- 0 Colours 1 White 2 Titan 3 Black 4 Chrome 5 matt Alum.

INSTALLATION



DRIVERS						
LED LUMINAIRES DESCRIPTION	N° Modules		DIMMER TYPE	DIMENSIONS mm	CODE	
	min.	max.				
MODULE 60 IFESTOS G8,5	1	1	20W HIT Electronic		498113	
MODULE 60 APOLLON/IFESTOS/POSIDON G12/G8,5/GX8,5	1	1	35W HIT Electronic		498223	
MODULE 60 APOLLON/IFESTOS/POSIDON G12/G8,5/GX8,5	1	1	35W HIT Magnetic AVO		498222	
MODULE 60 APOLLON/IFESTOS/POSIDON G12/G8,5/GX8,5	1	1	70W HIT Electronic		498323	
MODULE 60 APOLLON/IFESTOS/POSIDON G12/G8,5/GX8,5	1	1	70W HIT Magnetic DISPLAY		498312	
MODULE 60 APOLLON G12	1	1	150W HIT Electronic		498623	
MODULE 60 APOLLON G12	1	1	150W HIT Magnetic DISPLAY		498612	
MODULE 60 DIONISOS G53	1	-	60W 12V DC		800005	
MODULE 60 DIONISOS G53	1	-	70W 12V DC		800006	
MODULE 60 DIONISOS G53	1	-	105W 12V DC		800007	
MODULE 60 DIAS/KRONOS LED 22W CG	1	1	500mA 30W IP20 (dimensions 156 x 50 x 23)		498706	
MODULE 60 DIAS LED 30W CG	1	1	700mA 30W IP20 (dimensions 156 x 50 x 23)		498705	

DIMMER DRIVERS						
LED LUMINAIRES DESCRIPTION	N° Modules		DIMMER TYPE	DIMENSIONS mm	CODE	
	min.	max.				
MODULE 60 DIAS/KRONOS LED 22W CG	1	1	500mA 32W IP20 1-10Vdc/Push Button*	123 x 80 x 22	498703	
MODULE 60 DIAS/KRONOS LED 22W CG	1	1	500mA 32W IP20 1-10Vdc/Push Button/Dali*	123 x 80 x 22	498704	
MODULE 60 DIAS LED 30W CG	1	1	700mA 50W IP20 1-10Vdc/Push Button*	123 x 80 x 22	498703	
MODULE 60 DIAS LED 30W CG	1	1	700mA 50W IP20 1-10Vdc/Push Button/Dali*	123 x 80 x 22	498704	

\* Please order synchronization cable for each dimmer driver separately - Code: 800044 (4m)

**T7400 KADRO**

T7400 KADRO is a deep trimless recessed compact spot with rotation. It can satisfy multiple lighting requirements thanks to its wide variety of modules, and it highlights impressively premises, such as shopping malls, stores, hotels, exhibition halls, museums etc.

A LED version is also available and it is guaranteed by the use of last generation light sources, which ensure excellent performance with maximum energy efficiency. This, in combination with an efficient thermal management, makes T7400 KADRO a warranty for premium lighting with LED technology.

**Technical Features**

- Trimless recessing frame, painted electrostatically in selected colour from die-cast aluminium.
- Deep steel cover.
- Outer adjustable ring from die-cast aluminium.
- Inner ring for easy lamp replacement.
- High pure aluminium reflectors in Spot, Medium, Wide versions.
- Tempered protection glass.
- Easy mounting.

**Upon request:**

Available with highest colour rendering index (CRI)

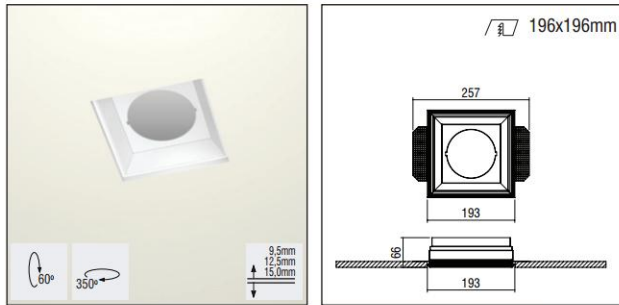
**For LED Version**

- Pure light without IR/UV radiation.
- 7W up to 10,5W wattage range and 720 up to 1140 luminous flux range.
- Aluminum heatsink anodized.
- Operation life: 50,000 hours with efficiency > 70% of the initial luminous flux.
- Connection for operation with Constant Current.



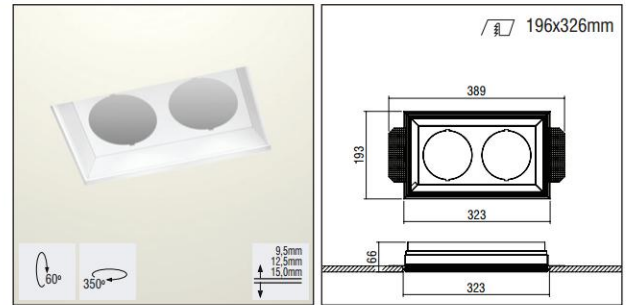
T7400 KADRO

T7400 KADRO 1x... Fitting



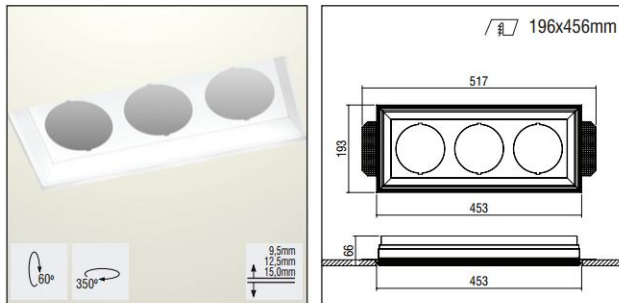
Code	Description	Kg
86274	T7400 KADRO 1x...	0,600

T7410 KADRO 2x... Fitting



Code	Description	Kg
86275	T7410 KADRO 2x...	0,970

T7420 KADRO 3x... Fitting



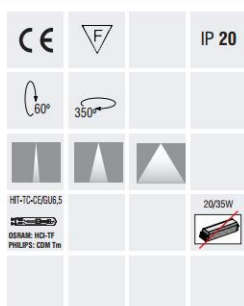
Code	Description	Kg
86276	T7420 KADRO 3x...	1,320

EXAMPLE

 <p>T7420 KADRO 3x...</p>		 <p>MODULE 40 HERCULES LED REFLECTOR</p>		 <p>DRIVER 500mA 32W</p>	
<b>CODE</b>	<b>PIECE</b>	<b>CODE</b>	<b>PIECE</b>	<b>CODE</b>	<b>PIECE</b>
86276	1	80603	3	800041	1

T7400 KADRO + Module 40 THETIS HIT-TC-CE

Module 40 THETIS HIT-TC-CE



- Version for HIT-TC-CE/GU6,5.
- Reflector: Spot, Medium, Wide.
- Tempered protection glass.

Code	Description	Kg
80601	MODULE 40 THETIS HIT-TC-CE/GU6,5 SPOT	0,250
80646	MODULE 40 THETIS HIT-TC-CE/GU6,5 MEDIUM	0,250
80647	MODULE 40 THETIS HIT-TC-CE/GU6,5 WIDE	0,250



T7400 KADRO

T7410 KADRO+ Module 40 HERCULES LED REFLECTOR

Module 40 HERCULES LED REFLECTOR



CE	F	850°C	IP 20
60°	350°		
LED	350/500mA	ta 25°C	

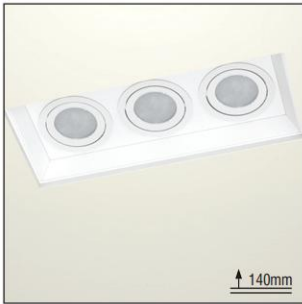
- Reflectors: Spot, Medium, Wide.
- 7W power consumption driven at 350mA.
- 10,5W power consumption driven at 500mA.
- Efficiency:
  - 7W: 4000 K: 810 Lumen, CRI: min. 80, 116 Lm/W
  - 7W: 3000 K: 720 Lumen, CRI: min. 80, 103 Lm/W
  - 10,5W: 4000 K: 1140 Lumen, CRI: min. 80, 109 Lm/W
  - 10,5W: 3000 K: 1000 Lumen, CRI: min. 80, 95 Lm/W

Code	Description	Kg
80603	MODULE 40 HERCULES LED REFLECTOR 7/10,5W	0,350



T7420 KADRO+ Module 40 IASON LED REFLECTOR HO

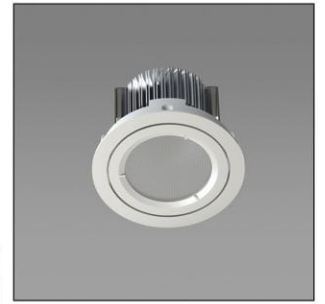
Module 40 IASON LED REFLECTOR HO



CE	F	850°C	IP 20
60°	350°		
LED	350/500mA	ta 25°C	

- Reflectors: Spot, Medium, Wide.
- 7W power consumption driven at 350mA.
- 10,5W power consumption driven at 500mA.
- Efficiency:
  - 7W: 4000 K: 810 Lumen, CRI: min. 80, 116 Lm/W
  - 7W: 3000 K: 720 Lumen, CRI: min. 80, 103 Lm/W
  - 10,5W: 4000 K: 1140 Lumen, CRI: min. 80, 109 Lm/W
  - 10,5W: 3000 K: 1000 Lumen, CRI: min. 80, 95 Lm/W

Code	Description	Kg
80604	MODULE 40 IASON LED REFLECTOR HO 7/10,5W	0,350



LED COLOUR CODES:

2 Warm 3 Neutral

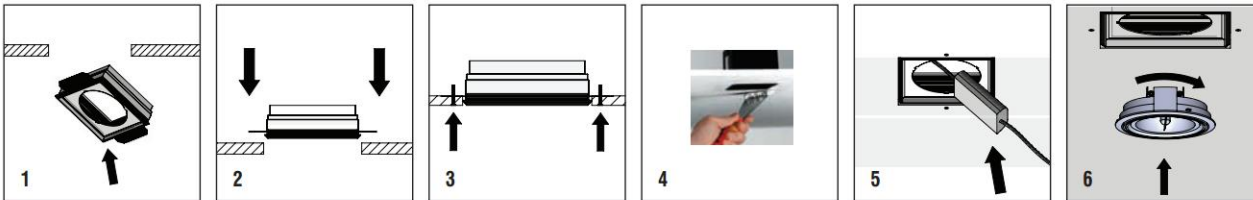
BEAM CODES:

01 spot 02 medium 03 wide

Colour Codes:

0 Colours 1 White 2 Titan 3 Black 4 Chrome 5 matt Alum.

INSTALLATION



DRIVERS							
LED LUMINAIRES DESCRIPTION	N° Modules min. max.	N° Modules min. max.	N° Modules min. max.	DIMENSIONS mm	CODE		
MODULE 40 THETIS GU6,5	20W	1	1	20W Electronic		498113	
MODULE 40 THETIS GU6,5	35W	1	1	35W Electronic		498223	
MODULE 40 HERCULES/IASON LED	1x 7W	1	1	350mA 8W IP20	70 x 35 x 21	800020	
MODULE 40 HERCULES/IASON LED	2x 7W	1	2	350mA 15W IP20	160 x 22 x 19	800021	
MODULE 40 HERCULES/IASON LED	3x 7W	1	3	350mA 25W IP20	123 x 80 x 22	800041	
MODULE 40 HERCULES/IASON LED	1x 10,5W	1	1	500mA 12W IP20	120 x 35 x 19	800023	
MODULE 40 HERCULES/IASON LED	2x 10,5W	1	2	500mA 30W IP20	160 x 50 x 22	800030	
MODULE 40 HERCULES/IASON LED	3x 10,5W	1	3	500mA 32W IP20	123 x 80 x 22	800041	

DIMMER DRIVERS							
LED LUMINAIRES DESCRIPTION	N° Modules min. max.	N° Modules min. max.	N° Modules min. max.	DIMMER TYPE	DIMENSIONS mm	CODE	
MODULE 40 HERCULES/IASON	1x, 2x 7W	1	2	350mA 15W IP20	1-10Vdc/Push Button	145 x 40 x 28	800040
MODULE 40 HERCULES/IASON	3x 7W	1	3	350mA 25W IP20	1-10Vdc/Push Button*	123 x 80 x 22	800043
MODULE 40 HERCULES/IASON	3x 7W	1	3	350mA 25W IP20	1-10Vdc/Push Button/Dali*	123 x 80 x 22	800042
MODULE 40 HERCULES/IASON	1x, 2x 10,5W	1	2	500mA 22W IP20	1-10Vdc/Push Button	145 x 40 x 28	800040
MODULE 40 HERCULES/IASON	3x 10,5W	1	3	500mA 32W IP20	1-10Vdc/Push Button*	123 x 80 x 22	800043
MODULE 40 HERCULES/IASON	3x 10,5W	1	3	500mA 32W IP20	1-10Vdc/Push Button/Dali*	123 x 80 x 22	800042

\* Please order synchronization cable for each dimmer driver separately - Code: 800044 (4m)

T7400 KADRO



**T700 KADRO**

T700 KADRO is a deep trimless recessed compact spot with rotation. It can satisfy multiple lighting requirements thanks to its wide variety of modules, and it highlights impressively premises, such as shopping malls, stores, hotels, exhibition halls, museums etc.

A LED version is also available and it is guaranteed by the use of last generation light sources, which ensure excellent performance with maximum energy efficiency. This, in combination with an efficient thermal management, makes T700 KADRO a warranty for premium lighting with LED technology.

**Technical Features**

- Trimless recessing frame, painted electrostatically in selected colour from die-cast aluminium.
- Deep steel cover.
- Outer adjustable ring from die-cast aluminium.
- Inner ring for easy lamp replacement.
- High pure aluminium reflectors in Spot, Medium, Wide versions.
- Tempered protection glass.
- Easy mounting.

**Upon request:**

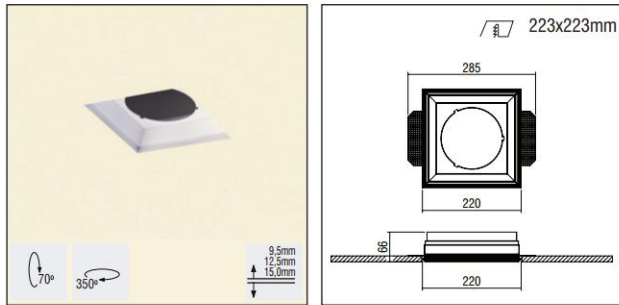
Available with highest colour rendering index (CRI)

**For LED Version**

- Pure light without IR/UV radiation.
- Die cast aluminum heatsink anodized.
- Efficient thermal management.
- 1800 lumen in 22W neutral edition or 2830 lumen in 30W.
- Operation life: 50,000 hours with efficiency > 70% of the initial luminous flux.
- Connection for operation with Constant Current.

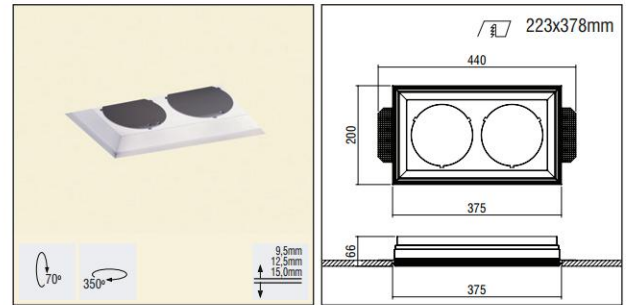
T700 KADRO

T700 KADRO 1x... Fitting



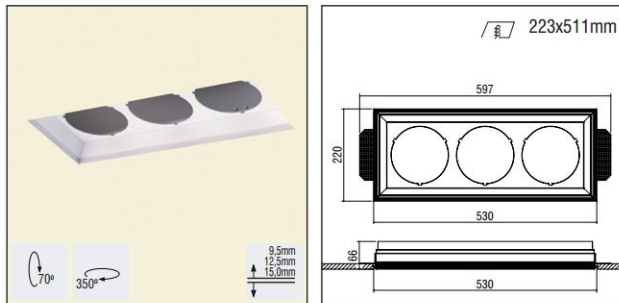
Code	Description	Kg
86271	T700 KADRO 1x...	0,730

T710 KADRO 2x... Fitting



Code	Description	Kg
86272	T710 KADRO 2x...	1,050

T720 KADRO 3x... Fitting



Code	Description	Kg
86273	T720 KADRO 3x...	1,450

EXAMPLE

 <p>T720 KADRO 3x...</p>		 <p>MODULE FLAT 60 HIT-CE/G12 MEDIUM</p>		 <p>BALLAST 70W ELECTRONIC</p>	
CODE	PIECE	CODE	PIECE	CODE	PIECE
86273	1	80611	3	498323	3

T700 KADRO + Module 60 POSIDON HI-PAR 111

Module 60 POSIDON HI-PAR 111



CE	F	850°C	IP 20
70°	350°		
OSRAM: HIC-H 111 PHILIPS: COM-H 111			
		35/70W CG	

- Version for HI-PAR 111/GX8,5.
- Outer adjustable ring from die-cast aluminium.
- Inner ring for easy lamp replacement.

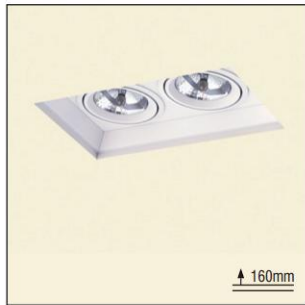
Code	Description	Kg
80615	Module 60 POSIDON HI-PAR 111/GX8.5	0,250



T700 KADRO

T710 KADRO + Module 60 DIONISOS QR111

Module 60 DIONISOS QR111



CE	F	850°C	IP 20
70°	350°		
OSRAM HALOGEN QR111 PHILIPS: ALUQR111			60/70/25W 12V

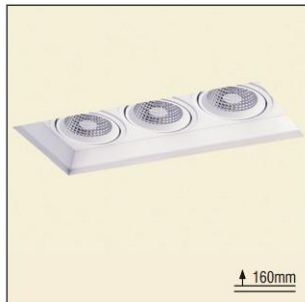
- Version for QR111/G53.
- Outer adjustable ring from die-cast aluminium.
- Inner ring for easy lamp replacement.

Code	Description	Kg
80610	Module 60 DIONISOS QR111/G53	0,250



T720 KADRO + Module 60 APOLLON HIT-CE

Module 60 APOLLON HIT-CE



CE	F	850°C	IP 20
70°	350°		
OSRAM: HIT-CE PHILIPS: COM-T			35/70/150W G8

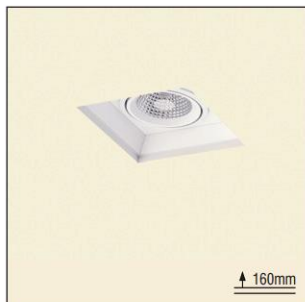
- Version for HIT-CE/G12.
- Outer adjustable ring from die-cast aluminium.
- Inner ring for easy lamp replacement.
- High pure aluminium reflectors in Spot, Medium, Wide.
- Tempered protection glass.

Code	Description	Kg
80612	Module 60 APOLLON HIT-CE/G12 SPOT	0,500
80611	Module 60 APOLLON HIT-CE/G12 MEDIUM	0,500
80619	Module 60 APOLLON HIT-CE/G12 WIDE	0,500



T700 KADRO + Module 60 IFESTOS HIT-TC-CE

Module 60 IFESTOS HIT-TC-CE



CE	F	850°C	IP 20
70°	350°		
OSRAM: HIT-TC PHILIPS: COM-TC			20/35/70W G8

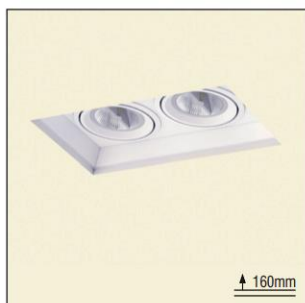
- Version for HIT-TC-CE/G8,5.
- Outer adjustable ring from die-cast aluminium.
- Inner ring for easy lamp replacement.
- High pure aluminium reflectors in Spot, Medium, Wide.
- Tempered protection glass.

Code	Description	Kg
80614	Module 60 IFESTOS HIT-TC-CE /G8,5 SPOT	0,500
80613	Module 60 IFESTOS HIT-TC-CE /G8,5 MEDIUM	0,500
80620	Module 60 IFESTOS HIT-TC-CE /G8,5 WIDE	0,500



T710 KADRO + Module 60 ARIS LED R111

Module 60 ARIS LED R111



CE	F	850°C	IP 20
70°	350°		
LED			

- Version for LED R111/GU10.
- Outer adjustable ring from die-cast aluminium.
- Inner ring for easy lamp replacement.
- Connection for 230V/50Hz.

Code	Description	Kg
80616	Module 60 ARIS LED R111/GU10/230V	0,300



T720 KADRO + Module 60 DIAS LED

Module 60 DIAS LED



CE	F	850°C	IP 20
70°	350°		
LED		ta 25°C	500/700mA G8

- Version with LED Module.
- Outer adjustable ring from die-cast aluminium.
- Inner ring for easy lamp replacement.
- 22W power consumption driven at 500mA.
- 30W power consumption driven at 700mA.
- Efficiency:
- 22W: 4000 K: 1800 Lumen, CRI: min. 75
- 22W: 3000 K: 1800 Lumen, CRI: min. 80
- 30W: 4000 K: 2830 Lumen, CRI: min. 75
- 30W: 3000 K: 2830 Lumen, CRI: min. 80
- Maximum: 95 Lm/W

Code	Description	Kg
80618	Module 60 DIAS LED CHIP 22W	0,750
80621	Module 60 DIAS LED CHIP 30W	0,900



T700 KADRO

T700 KADRO + Module 60 KRONOS HIT-TC-CE

Module 60 KRONOS HIT-TC-CE



CE	F	850°C	IP 20
60°	350°		
HIT-TC-CE/GU6,5			29/35W CG
OSRAM: HCL-TF PHILIPS: COM To			

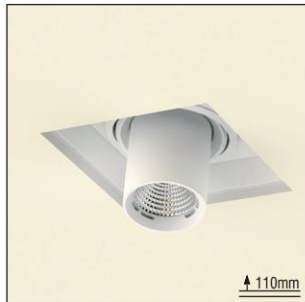
- Version for HIT-TC-CE/GU6,5.
- Outer adjustable ring from die-cast aluminium.
- Die-cast aluminium spot inside.
- High pure aluminium reflectors in Spot, Medium, Wide.
- Tempered protection glass.

Code	Description	Kg
80648	Module 60 KRONOS HIT-TC-CE /GU6,5 SPOT	0,940
80649	Module 60 KRONOS HIT-TC-CE /GU6,5 MEDIUM	0,940
80650	Module 60 KRONOS HIT-TC-CE /GU6,5 WIDE	0,940



T700 KADRO + Module 60 KRONOS LED

Module 60 KRONOS LED



CE	F	850°C	IP 20
60°	350°		
LED	500mA CG	ta 25°C	

- Version with LED Module.
- Outer adjustable ring from die-cast aluminium.
- Die-cast aluminium spot inside.
- 22W power consumption driven at 500mA.
- Efficiency:  
22W: 4000 K: 1800 Lumen, CRI: min. 75  
22W: 3000 K: 1800 Lumen, CRI: min. 80  
Maximum: 95 Lm/W

Code	Description	Kg
80622	Module 60 KRONOS LED CHIP 22W	0,940

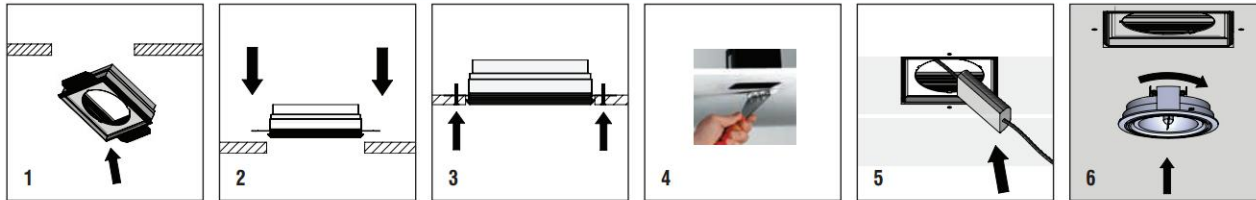


LED COLOUR CODES:  
2 Warm 3 Neutral

BEAM CODES:  
01 spot 02 medium 03 wide

Colour Codes:  
0 Colours 1 White 2 Titan 3 Black 4 Chrome 5 matt Alum.

INSTALLATION



DRIVERS						
LED LUMINAIRES DESCRIPTION	N° Modules		DIMMER TYPE	DIMENSIONS mm	CODE	
	min.	max.				
MODULE 60 IFESTOS G8,5	1	1	20W HIT Electronic		498113	
MODULE 60 APOLLON/IFESTOS/POSIDON G12/G8,5/GX8,5	1	1	35W HIT Electronic		498223	
MODULE 60 APOLLON/IFESTOS/POSIDON G12/G8,5/GX8,5	1	1	35W HIT Magnetic AVO		498222	
MODULE 60 APOLLON/IFESTOS/POSIDON G12/G8,5/GX8,5	1	1	70W HIT Electronic		498323	
MODULE 60 APOLLON/IFESTOS/POSIDON G12/G8,5/GX8,5	1	1	70W HIT Magnetic DISPLAY		498312	
MODULE 60 APOLLON G12	1	1	150W HIT Electronic		498623	
MODULE 60 APOLLON G12	1	1	150W HIT Magnetic DISPLAY		498612	
MODULE 60 DIONISOS G53	1	-	60W 12V DC		800005	
MODULE 60 DIONISOS G53	1	-	70W 12V DC		800006	
MODULE 60 DIONISOS G53	1	-	105W 12V DC		800007	
MODULE 60 DIAS/KRONOS LED 22W CG	1	1	500mA 30W IP20 (dimensions 156 x 50 x 23)		498706	
MODULE 60 DIAS LED 30W CG	1	1	700mA 30W IP20 (dimensions 156 x 50 x 23)		498705	

DIMMER DRIVERS						
LED LUMINAIRES DESCRIPTION	N° Modules		DIMMER TYPE	DIMENSIONS mm	CODE	
	min.	max.				
MODULE 60 DIAS/KRONOS LED 22W CG	1	1	500mA 32W IP20	1-10Vdc/Push Button*	123 x 80 x 22	498703
MODULE 60 DIAS/KRONOS LED 22W CG	1	1	500mA 32W IP20	1-10Vdc/Push Button/Dali*	123 x 80 x 22	498704
MODULE 60 DIAS LED 30W CG	1	1	700mA 50W IP20	1-10Vdc/Push Button*	123 x 80 x 22	498703
MODULE 60 DIAS LED 30W CG	1	1	700mA 50W IP20	1-10Vdc/Push Button/Dali*	123 x 80 x 22	498704

\* Please order synchronization cable for each dimmer driver separately - Code: 800044 (4m)

## TEO MINI



TEO mini is a recessed round adjustable spot with elegant design. It can satisfy multiple lighting requirements thanks to its wide variety of editions, and it highlights impressively premises, such as shopping malls, stores, hotels, exhibition halls, museums etc.

A LED version is also available and it is guaranteed by the use of last generation light sources, which ensure excellent performance with maximum energy efficiency. This, in combination with an efficient thermal management, makes TEO mini a warranty for premium lighting with LED technology.

## Technical Features

- Body from die-cast aluminium, painted electrostatically in selected colour or plated.
- Adjustable die-cast aluminium ring, painted electrostatically in selected colour or plated.
- Inner die-cast aluminium ring for easy lamp replacement.
- High pure aluminium reflectors in Spot, Medium, Wide versions.
- Tempered protection glass for HIT-TC-CE edition.
- Easy mounting with clips.

**Upon request:**

Available with highest colour rendering index (CRI)

**For LED Version**

- Pure light without IR/UV radiation.
- 7W up to 10,5W wattage range and 720 up to 1140 luminous flux range.
- Aluminum heatsink anodized.
- Operation life: 50,000 hours with efficiency > 70% of the initial luminous flux.
- Connection for operation with Constant Current.



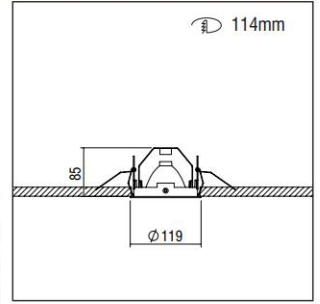
TEO MINI

TEO MINI - HIT-TC-CE



- Version for HIT-TC-CE/GU6,5.
- Reflector: Spot, Medium, Wide.
- Tempered protection glass.

Code	Description	Kg
86896	TEO MINI HIT-TC-CE/GU6,5 SPOT	0,250
86897	TEO MINI HIT-TC-CE/GU6,5 MEDIUM	0,250
86898	TEO MINI HIT-TC-CE/GU6,5 WIDE	0,250

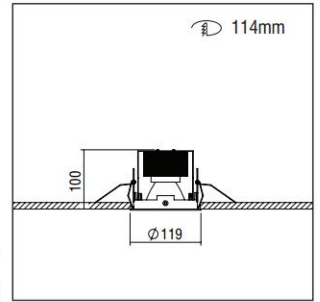


TEO MINI - LED REFLECTOR



- Reflectors: Spot, Medium, Wide.
  - 7W power consumption driven at 350mA.
  - 10,5W power consumption driven at 500mA.
  - Efficiency:
- 7W: 4000 K: 810 Lumen, CRI: min. 80, 116 Lm/W  
 7W: 3000 K: 720 Lumen, CRI: min. 80, 103 Lm/W  
 10,5W: 4000 K: 1140 Lumen, CRI: min. 80, 109 Lm/W  
 10,5W: 3000 K: 1000 Lumen, CRI: min. 80, 95 Lm/W  
 Maximum: 118 Lm/W

Code	Description	Kg
86357	TEO MINI LED REFLECTOR	0,350

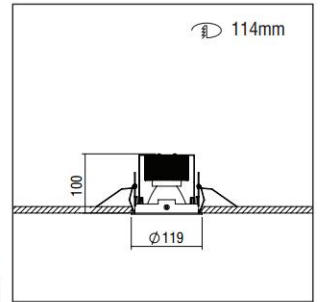


TEO MINI - LED REFLECTOR HO



- Reflectors: Spot, Medium, Wide.
  - 7W power consumption driven at 350mA.
  - 10,5W power consumption driven at 500mA.
  - Efficiency:
- 7W: 4000 K: 810 Lumen, CRI: min. 80, 116 Lm/W  
 7W: 3000 K: 720 Lumen, CRI: min. 80, 103 Lm/W  
 10,5W: 4000 K: 1140 Lumen, CRI: min. 80, 109 Lm/W  
 10,5W: 3000 K: 1000 Lumen, CRI: min. 80, 95 Lm/W  
 Maximum: 118 Lm/W

Code	Description	Kg
86357	TEO MINI - LED REFLECTOR HO	0,350



LED COLOUR CODES:

2 Warm 3 Neutral

BEAM CODES:

00 diffuser 01 spot 02 medium 03 wide 04 spot HO 05 medium HO 06 wide HO

Colour Codes:

0 Colours 1 White 2 Titan 3 Black 4 Chrome 5 matt Alum.

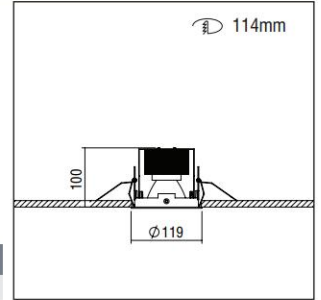
TEO MINI

TEO MINI - LED SUN



850°C IP 20  
 60°  
 10-40mm  
 LED  
 5 YEAR WARRANTY  
 ta 25°C  
 350/500mA

- Lens: Medium, Wide.
- 7W power consumption driven at 350mA.
- 10,5W power consumption driven at 500mA.
- Efficiency:  
 7W: 4000 K: 810 Lumen, CRI: min. 80, 116 Lm/W  
 7W: 3000 K: 720 Lumen, CRI: min. 80, 103 Lm/W  
 10,5W: 4000 K: 1140 Lumen, CRI: min. 80, 109 Lm/W  
 10,5W: 3000 K: 1000 Lumen, CRI: min. 80, 95 Lm/W  
 Maximum: 118 Lm/W



Code	Description	Kg
86356	TEO MINI LED SUN	

LED COLOUR CODES:

2 Warm 3 Neutral

BEAM CODES:

00 diffuser 01 spot 02 medium 03 wide 04 spot HO 05 medium HO 06 wide HO

Colour Codes:

0 Colours 1 White 2 Titan 3 Black 4 Chrome 5 matt Alum.

DRIVERS

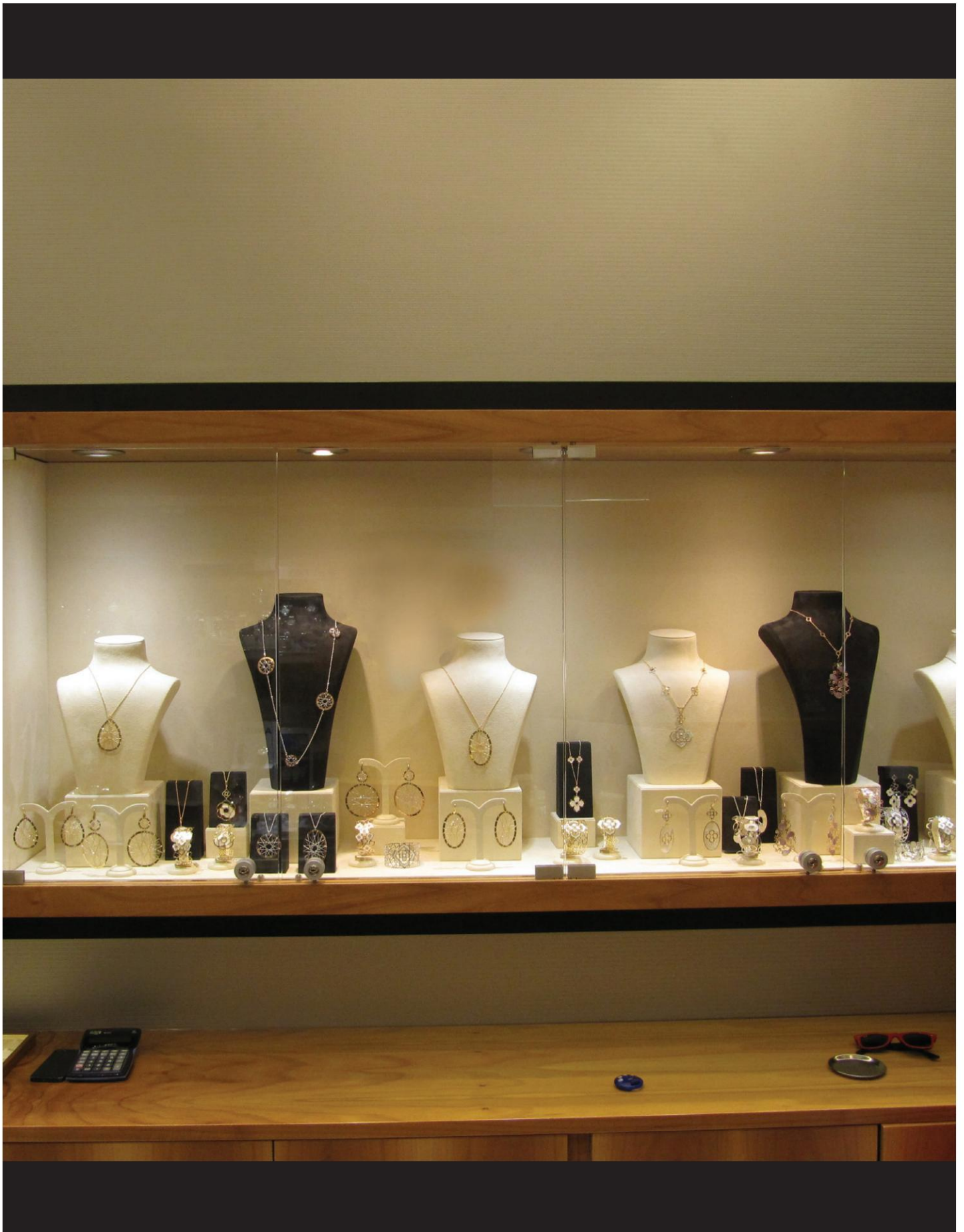
LED LUMINAIRES DESCRIPTION	N° Luminaires min. max.	DIMENSIONS mm	CODE	
TEO MINI GU6,5 20W	1 1	20W Electronic	498113	
TEO MINI GU6,5 35W	1 1	35W Electronic	498223	
TEO MINI LED 1x 7W	1 1	350mA 8W IP20 70 x 35 x 21	800020	
TEO MINI LED 2x 7W	1 2	350mA 15W IP20 160 x 22 x 19	800021	
TEO MINI LED 3x 7W	1 3	350mA 25W IP20 123 x 80 x 22	800041	
TEO MINI LED 1x 10,5W	1 1	500mA 12W IP20 120 x 35 x 19	800023	
TEO MINI LED 2x 10,5W	1 2	500mA 30W IP20 160 x 50 x 22	800030	
TEO MINI LED 3x 10,5W	1 3	500mA 32W IP20 123 x 80 x 22	800041	

DIMMER DRIVERS

LED LUMINAIRES DESCRIPTION	N° Luminaires min. max.	DIMMER TYPE	DIMENSIONS mm	CODE	
TEO MINI 1x, 2x 7W	1 2	350mA 15W IP20 1-10Vdc/Push Button	145 x 40 x 28	800040	
TEO MINI 3x 7W	1 3	350mA 25W IP20 1-10Vdc/Push Button*	123 x 80 x 22	800043	
TEO MINI 3x 7W	1 3	350mA 25W IP20 1-10Vdc/Push Button/Dali*	123 x 80 x 22	800042	
TEO MINI 1x, 2x 10,5W	1 2	500mA 22W IP20 1-10Vdc/Push Button	145 x 40 x 28	800040	
TEO MINI 3x 10,5W	1 3	500mA 32W IP20 1-10Vdc/Push Button*	123 x 80 x 22	800043	
TEO MINI 3x 10,5W	1 3	500mA 32W IP20 1-10Vdc/Push Button/Dali*	123 x 80 x 22	800042	

\* Please order synchronization cable for each dimmer driver separately - Code: 800044 (4m)

TEO MINI



## LUNA 175 Adjustable



### LUNA ROUND – Quality meets Efficiency

Luna Round is a range of compact adjustable luminaires with high efficiency, which is available in different light sources (HIT-CE, HIT-TC-CE, QR111, CDM-R111, LED R111, LED CHIP).

Due to its high system light output, Luna Round LED can replace even a downlight with 2x32W TC-Del lamps. This compact luminaire is ideal for applications where diffuse light is needed. It is available in two colour temperatures, warm and neutral, and it can be dimmable upon request.

The adjustable version of Luna Round is used mainly for accent lighting. Its faceted reflector, made of high purity aluminum, ensures the great performance of the luminaire and enables the selection of its beam angle.

### Technical Features

- Outer ring from die-cast aluminium.
- Inner adjustable ring from die-cast aluminium with clips for easy lamp replacement.
- High pure aluminium reflectors in Spot, Medium, Wide versions.
- Tempered protection glass.
- Easy mounting with clips.

#### Upon request:

Available with highest colour rendering index (CRI)

#### For LED Version

- Pure light without IR/UV radiation.
- Die cast aluminum heatsink anodized.
- Efficient thermal management.
- 1800 lumen in 22W neutral edition.
- Operation life: 50,000 hours with efficiency > 70% of the initial luminous flux.
- Connection for operation with Constant Current.

LUNA 175 Adjustable

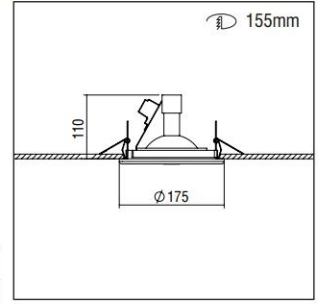
LUNA 175 Adjustable - HI-PAR 111



CE	F	850°C	IP 20
60°	0°	±10-25mm	
GERM: HCR 111 PHILIPS: COMB 111			35/70W G8

- Version for HI-PAR 111/GX8,5.
- Outer ring from die-cast aluminium.
- Inner adjustable ring from die-cast aluminium with clips for easy lamp replacement.

Code	Description	Kg
46543	LUNA 175 Adjustable HI-PAR 111/GX8,5	0,420



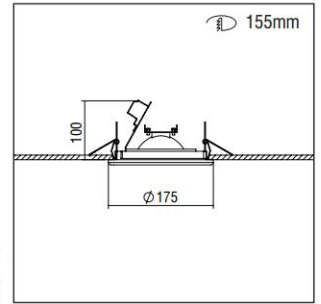
LUNA 175 Adjustable - QR111



CE	F	850°C	IP 20
60°	0°	±10-25mm	
GERM: HALSPOT 111 PHILIPS: ALUMINE 111			50/70/105W 12V

- Version for QR111/G53.
- Outer ring from die-cast aluminium.
- Inner adjustable ring from die-cast aluminium with clips for easy lamp replacement.

Code	Description	Kg
46544	LUNA 175 Adjustable QR111/G53	0,420



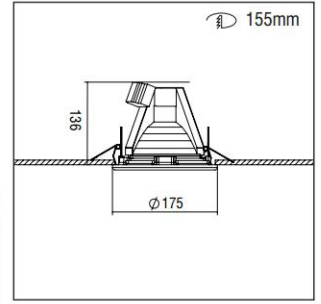
LUNA 175 Adjustable - HIT-CE



CE	F	850°C	IP 20
60°	0°	±10-25mm	
GERM: HCR-T PHILIPS: COM-T			35/70/150W G8

- Version for HIT-CE/G12.
- Outer ring from die-cast aluminium.
- Inner adjustable ring from die-cast aluminium with clips for easy lamp replacement.
- High pure aluminium reflectors in Spot, Medium, Wide.
- Tempered protection glass.

Code	Description	Kg
46545	LUNA 175 Adjustable HIT-CE/G12 SPOT	0,620
46549	LUNA 175 Adjustable HIT-CE/G12 MEDIUM	0,620
46546	LUNA 175 Adjustable HIT-CE/G12 WIDE	0,620



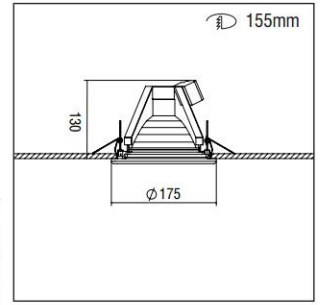
LUNA 175 Adjustable - HIT-TC-CE



CE	F	850°C	IP 20
60°	0°	±10-25mm	
GERM: HCR-TC PHILIPS: COM-TC			20/35/70W G8

- Version for HIT-TC-CE/G8,5.
- Outer ring from die-cast aluminium.
- Inner adjustable ring from die-cast aluminium with clips for easy lamp replacement.
- High pure aluminium reflectors in Spot, Medium, Wide.
- Tempered protection glass.

Code	Description	Kg
46541	LUNA 175 Adjustable HIT-TC-CE/G8,5 SPOT	0,620
46540	LUNA 175 Adjustable HIT-TC-CE/G8,5 MEDIUM	0,620
46542	LUNA 175 Adjustable HIT-TC-CE/G8,5 WIDE	0,620



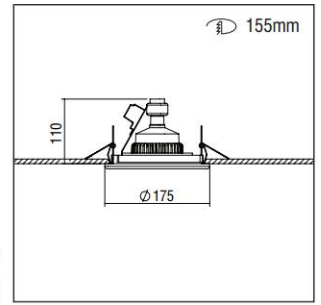
LUNA 175 Adjustable - LED R111



CE	F	850°C	IP 20
60°	0°	±10-25mm	
LED			

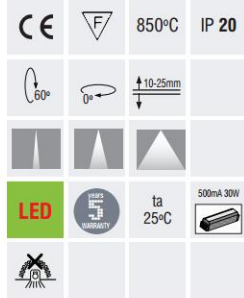
- Version for LED R111/GU10.
- Outer ring from die-cast aluminium.
- Inner adjustable ring from die-cast aluminium with clips for easy lamp replacement.
- Connection for 230V/50Hz.

Code	Description	Kg
46547	LUNA 175 Adjustable LED R111/GU10	0,420

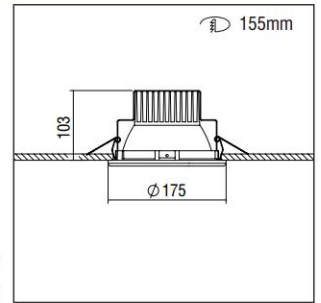


LUNA 175 Adjustable

LUNA 175 Adjustable - LED CHIP



- Version with LED Module.
- Outer ring from die-cast aluminium.
- Inner adjustable ring from die-cast aluminium with clips for easy lamp replacement.
- 22W power consumption driven at 500mA.
- Efficiency:
  - 22W: 4000 K: 1800 Lumen, CRI: min. 75
  - 22W: 3000 K: 1800 Lumen, CRI: min. 80
  - Maximum: 82 Lm/W



Code	Description	Kg
46550	LUNA 175 ADJUSTABLE LED CHIP 22W	0,820

LED COLOUR CODES:

2 Warm 3 Neutral

BEAM CODES:

01 spot 02 medium 03 wide

Colour Codes:

0 Colours 1 White 2 Titan 3 Black 4 Chrome 5 matt Alum.

CONTROL GEAR - TRANSFORMERS				
DESCRIPTION	Type	CODE		
		Conventional Control Gear & Capacitor		Electronic Control Gear
		CODE		CODE
230V/12V 50W - Conventional	TRANSFORMER 12V	800001		
230V/12V 70W - Electronic	TRANSFORMER 12V	800006		
230V/12V 105W - Conventional	TRANSFORMER 12V	800002		
230V/12V 105W - Electronic	TRANSFORMER 12V	800007		
230V 35W HIT - Electronic	BALLAST	800009		
230V 70W HIT - HST - Electronic	BALLAST	800010		
230V 100W HST - Electronic	BALLAST	800011		
230V 150W HIT - HST - Electronic	BALLAST	800012		
Metal halide lamps (HIT) or high pressure sodium lamps (HST)		Conventional Control Gear & Capacitor		Electronic Control Gear
35W HIT AVO	CONTROL GEAR	498222		498223
70W HIT - HST Display	CONTROL GEAR	498312		498323
70W HIT - HST (for lum. AVO - TEO)	CONTROL GEAR	498322		
150W HIT - HST	CONTROL GEAR	498612		498623

LUNA 175 Adjustable



## SOL 2



An elegant luminaire with great flexibility and high performance. It's minimal almost invisible frame raises the architectural interest and impresses the observer. There are eight different modules of light sources can be intergrated. Thanks to it's optimal optical system, it offers precise, uniform light distribution and excellent lighting quality.

### Technical Features

- Outer ring from die-cast aluminium.
- Inner adjustable ring from die-cast aluminium for easy lamp replacement.
- High pure aluminium reflectors in Spot, Medium, Wide versions.
- Tempered protection glass.
- Easy mounting with clips.

**Upon request:**

Available with highest colour rendering index (CRI)

**For LED Version**

- Pure light without IR/UV radiation.
- Die cast aluminum heatsink anodized.
- Efficient thermal management.
- 1800 lumen in 22W neutral edition.
- Operation life: 50,000 hours with efficiency > 70% of the initial luminous flux.
- Connection for operation with Constant Current.



SOL 2

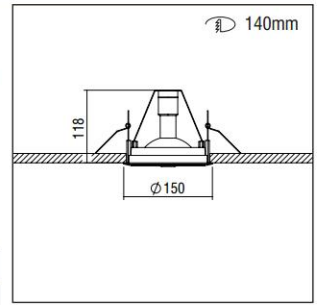
SOL 2 - HI-PAR 111



CE	F	850°C	IP 20
60°	0°	±10-45mm	
GERM: HCR HI 111 PHILIPS: COM-H 111			35/70W G8

- Version for HI-PAR 111/GX8,5.
- Outer ring from die-cast aluminium.
- Inner adjustable ring from die-cast aluminium for easy lamp replacement.

Code	Description	Kg
86824	SOL 2 35/70W HI-PAR 111/GX8,5	0,300



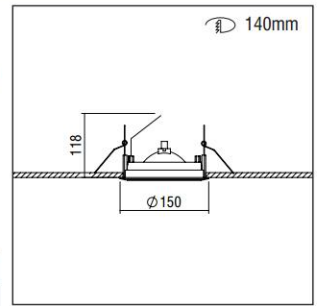
SOL 2 - QR111



CE	F	850°C	IP 20
60°	0°	±10-45mm	
GERM: HALQDOT 111 PHILIPS: ALUM-H 111			50/70/105W 12V

- Version for QR111/G53.
- Outer ring from die-cast aluminium.
- Inner adjustable ring from die-cast aluminium for easy lamp replacement.

Code	Description	Kg
86823	SOL 2 max.105W QR111/G53	0,300



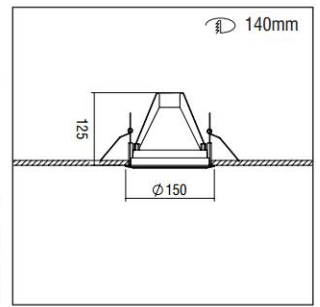
SOL 2 - G12



CE	F	850°C	IP 20
60°	0°	±10-45mm	
GERM: HCR-T PHILIPS: COM-T			35/70/150W G8

- Version for HIT-CE/G12.
- Outer ring from die-cast aluminium.
- Inner adjustable ring from die-cast aluminium for easy lamp replacement.
- High pure aluminium reflectors in Spot, Medium, Wide.
- Tempered protection glass.

Code	Description	Kg
86829	SOL 2 35/70/150W HIT-CE/G12 SPOT	0,550
86831	SOL 2 35/70W HIT-CE/G12 MEDIUM	0,550
86828	SOL 2 35/70W HIT-CE/G12 WIDE	0,550



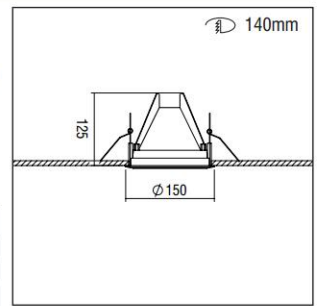
SOL 2 - G8,5



CE	F	850°C	IP 20
60°	0°	±10-45mm	
GERM: HCR-TC PHILIPS: COM-TC			20/35/70W G8

- Version for HIT-TC-CE/G8,5.
- Outer ring from die-cast aluminium.
- Inner adjustable ring from die-cast aluminium for easy lamp replacement.
- High pure aluminium reflectors in Spot, Medium, Wide.
- Tempered protection glass.

Code	Description	Kg
86827	SOL 2 20/35/70W HIT-TC-CE/G8,5 SPOT	0,550
86830	SOL 2 20/35/70W HIT-TC-CE/G8,5 MEDIUM	0,550
86826	SOL 2 20/35/70W HIT-TC-CE/G8,5 WIDE	0,550



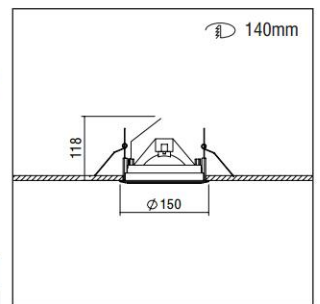
SOL 2 - LED R111



CE	F	850°C	IP 20
60°	0°	±10-45mm	
LED			

- Version for LED R111/GU10.
- Outer ring from die-cast aluminium.
- Inner adjustable ring from die-cast aluminium for easy lamp replacement.
- Connection for 230V/50Hz.

Code	Description	Kg
86846	SOL 2 LED R111/GU10	0,350



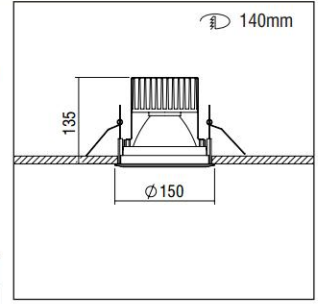
SOL 2

SOL 2 - LED CHIP



850°C

- Version with LED Module.
- Outer ring from die-cast aluminium.
- Inner adjustable ring from die-cast aluminium for easy lamp replacement.
- 22W power consumption driven at 500mA.
- Efficiency:
  - 22W: 4000 K: 1800 Lumen, CRI: min. 75
  - 22W: 3000 K: 1800 Lumen, CRI: min. 80
  - Maximum: 100 Lm/W



Code	Description	Kg
86839	SOL 2 LED CHIP 22W	0,800

**LED COLOUR CODES:**

**2** Warm **3** Neutral

**BEAM CODES:**

**01** spot **02** medium **03** wide

**Colour Codes:**

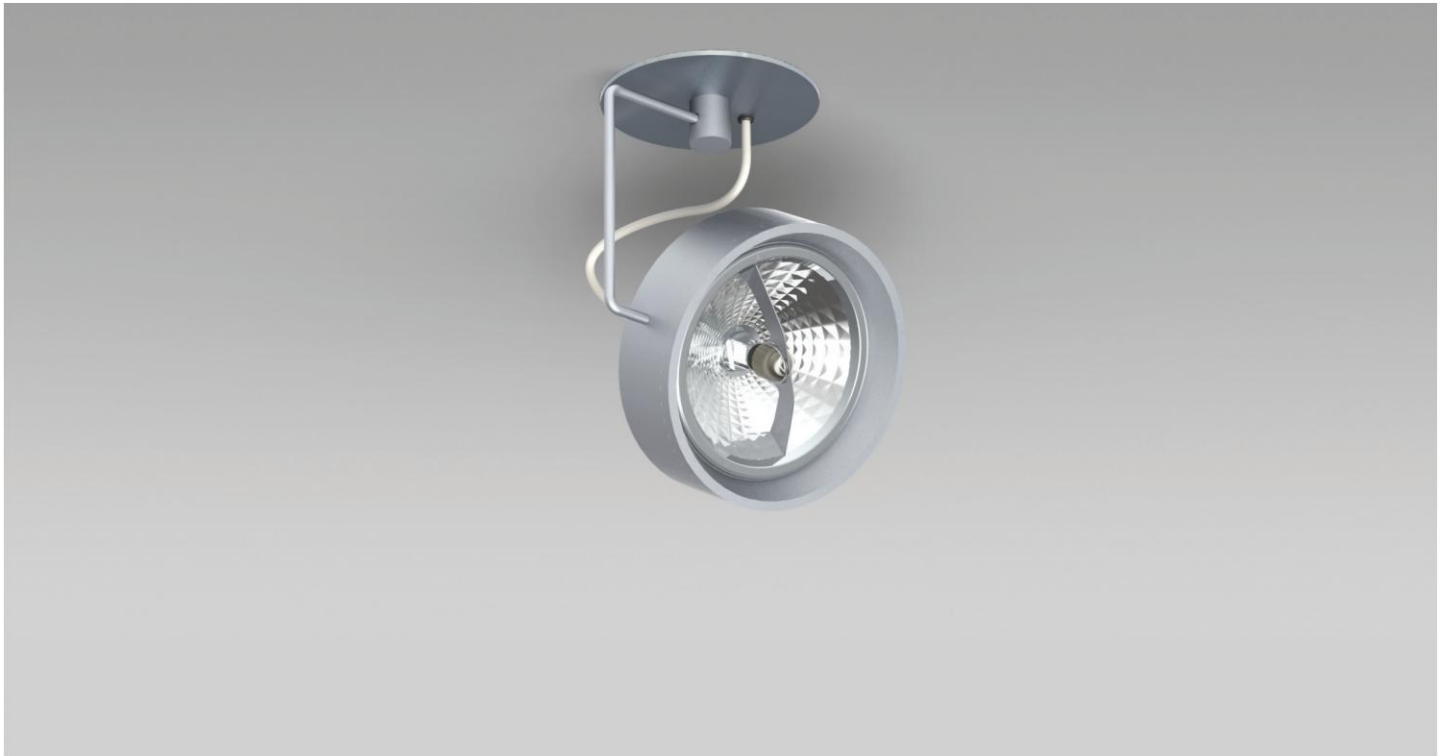
**0** Colours **1** White **2** Titan **3** Black **4** Chrome **5** matt Alum.

CONTROL GEAR - TRANSFORMERS				
DESCRIPTION	Type	CODE		
		Conventional Control Gear & Capacitor		Electronic Control Gear
		CODE		CODE
230V/12V 50W - Conventional	TRANSFORMER 12V	800001		
230V/12V 70W - Electronic	TRANSFORMER 12V	800006		
230V/12V 105W - Conventional	TRANSFORMER 12V	800002		
230V/12V 105W - Electronic	TRANSFORMER 12V	800007		
230V 35W HIT - Electronic	BALLAST	800009		
230V 70W HIT - HST - Electronic	BALLAST	800010		
230V 100W HST - Electronic	BALLAST	800011		
230V 150W HIT - HST - Electronic	BALLAST	800012		
<b>Metal halide lamps (HIT) or high pressure sodium lamps (HST)</b>				
35W HIT AVO	CONTROL GEAR	498222		498223
70W HIT - HST Display	CONTROL GEAR	498312		498323
70W HIT - HST (for lum. AVO - TEO)	CONTROL GEAR	498322		
150W HIT - HST	CONTROL GEAR	498612		498623

SOL 2



## CREA 1



A recessed mounted luminaire with different light sources. It highlights impressively premises, such as shopping malls, stores, hotels, exhibition halls, museums etc. It is compact and economical architectural version.

### Technical Features

- Aluminium body, painted electrostatically in selected colour.
- With clips for easy mounting.
- Connection for operation on 230V-50/60Hz with electronic ballast.

**Upon request**

- Connection for operation with electronic dimmable ballast.

CREA 1

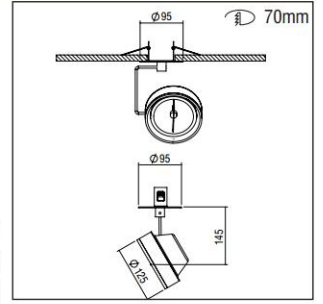
CREA 1 - R



CE	F	IP 20
		Included

- Version for QR111/G53 or LED R111/G53.
- Aluminium body.
- Round base.

Code	Description	Kg
89529	CREA 1 R 1x max.60W QR111/G53	0,850
89609	CREA 1 R 1x LED R111/G53	0,850



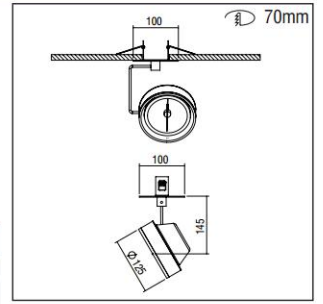
CREA 1 - S



CE	F	IP 20
		Included

- Version for QR111/G53 or LED R111/G53.
- Aluminium body.
- Square base.

Code	Description	Kg
89539	CREA 1 S 1x max.60W QR111/G53	0,850
89619	CREA 1 S 1x LED R111/G53	0,850



Colour Codes:

- 0 Colours 1 White 2 Titan 3 Black 4 Chrome



**CREA 2**

A recessed mounted luminaire with very big range of light sources. It highlights impressively premises, such as shopping malls, stores, hotels, exhibition halls, museums etc. It is compact and economical architectural version.

**Technical Features**

- Aluminium body, painted electrostatically in selected colour.
- High pure aluminium reflectors in Spot, Medium, Wide versions and tempered protection glass for HIT-CE and HIT-TC-CE versions.
- With clips for easy mounting.

CREA 2

CREA 2 - R



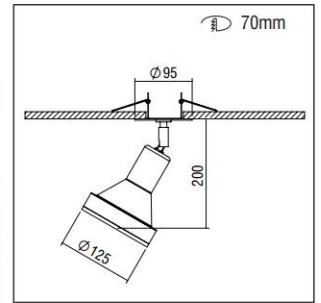
CE F IP 20

not included

OSRAM: HCL-T PHILIPS: COM-T OSRAM: HCL-TC PHILIPS: COM-TC OSRAM: HALOSPOT 111 PHILIPS: ALU LINE 111 OSRAM: HD-R 111 PHILIPS: COM-R 111

LED

- Version for HIT-CE/G12, HIT-TC-CE/G8,5, QR111/G53, HI-PAR111/GX8,5, LED R111/GU10.
- Aluminium body.
- High pure aluminium reflectors in Spot, Medium, Wide versions and tempered protection glass for HIT-CE and HIT-TC-CE versions.
- Round base.



Code	Description	Kg
89651	CREA 2-R 35W/70W HIT-CE / G12 SPOT	0,850
89661	CREA 2-R 35W/70W HIT-CE / G12 MEDIUM	0,850
89671	CREA 2-R 35W/70W HIT-CE / G12 WIDE	0,850
89655	CREA 2-R 35W/70W HIT-TC-CE / G8,5 SPOT	0,850
89665	CREA 2-R 35W/70W HIT-TC-CE / G8,5 MEDIUM	0,850
89675	CREA 2-R 35W/70W HIT-TC-CE / G8,5 WIDE	0,850
89797	CREA 2-R 35W/70W HI-PAR 111 / GX8,5	0,850
89729	CREA 2-R QR111/G53 max. 60W	0,850
89580	CREA 2-R LED R111/GU10	0,850

CREA 2 - S



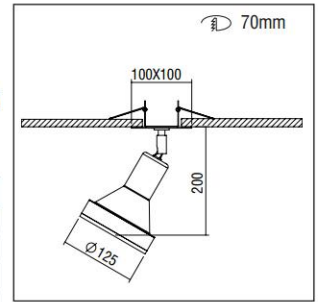
CE F IP 20

not included

OSRAM: HCL-T PHILIPS: COM-T OSRAM: HCL-TC PHILIPS: COM-TC OSRAM: HALOSPOT 111 PHILIPS: ALU LINE 111 OSRAM: HD-R 111 PHILIPS: COM-R 111

LED

- Version for HIT-CE/G12, HIT-TC-CE/G8,5, QR111/G53, HI-PAR111/GX8,5, LED R111/GU10.
- Aluminium body.
- High pure aluminium reflectors in Spot, Medium, Wide versions and tempered protection glass for HIT-CE and HIT-TC-CE versions.
- Round base.



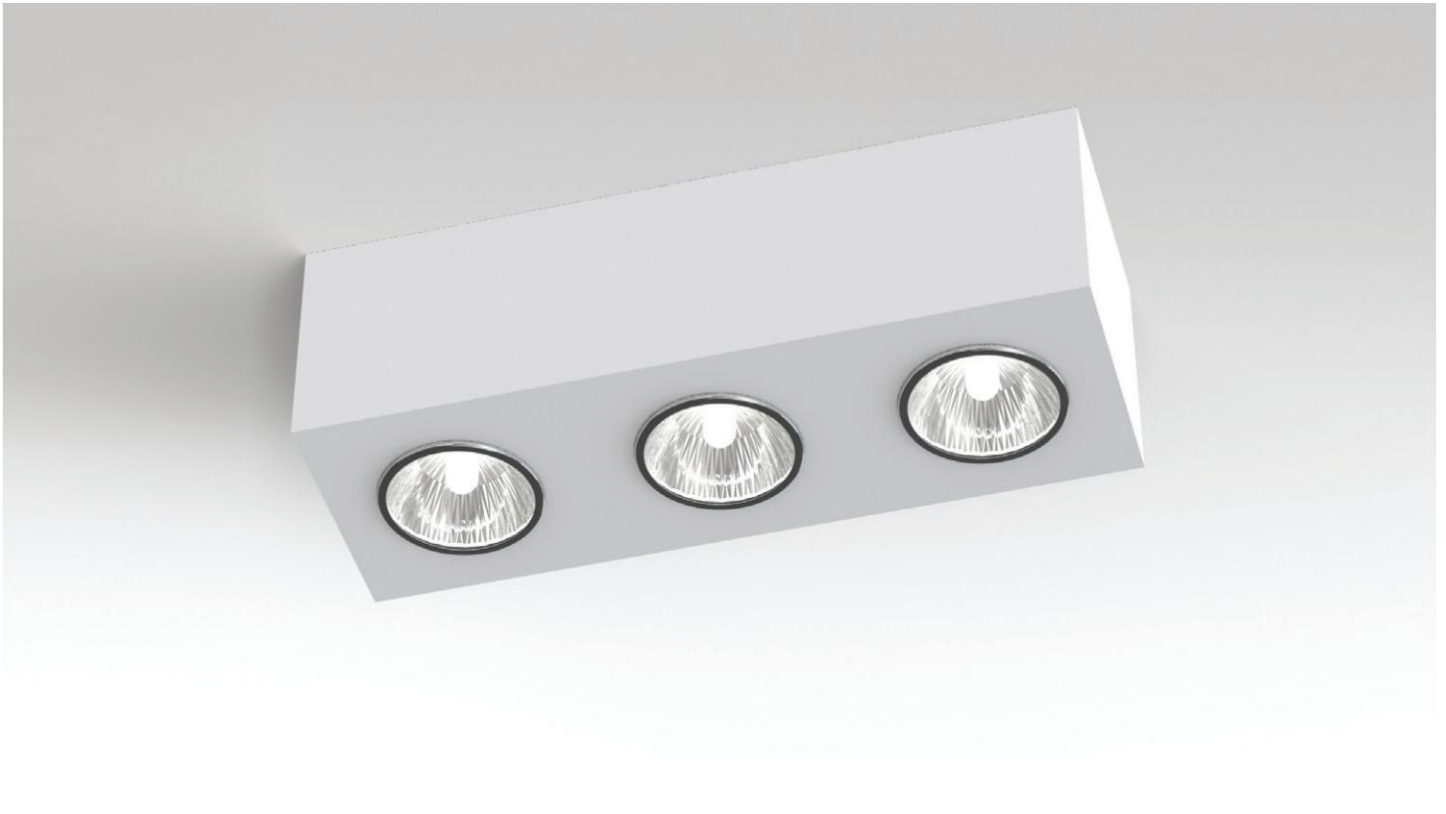
Code	Description	Kg
89731	CREA 2-S 35W/70W HIT-CE / G12 SPOT	0,850
89741	CREA 2-S 35W/70W HIT-CE / G12 MEDIUM	0,850
89751	CREA 2-S 35W/70W HIT-CE / G12 WIDE	0,850
89735	CREA 2-S 35W/70W HIT-TC-CE / G8,5 SPOT	0,850
89745	CREA 2-S 35W/70W HIT-TC-CE / G8,5 MEDIUM	0,850
89755	CREA 2-S 35W/70W HIT-TC-CE / G8,5 WIDE	0,850
89717	CREA 2-S 35W/70W HI-PAR 111 / GX8,5	0,850
89809	CREA 2-S QR111/G53 max. 60W	0,850
89590	CREA 2-S LED R111/GU10	0,850

Colour Codes:

- 0 Colours 1 White 2 Titan 3 Black 4 Chrome

CONTROL GEAR - TRANSFORMERS

DESCRIPTION	Type	CODE	
		Conventional Control Gear & Capacitor	Electronic Control Gear
230V/12V 50W - Conventional	TRANSFORMER 12V	800001	
230V/12V 60W - Electronic	TRANSFORMER 12V	800005	
230V 35W HIT - Electronic	BALLAST	800009	
230V 70W HIT - HST - Electronic	BALLAST	800010	
<b>Metal halide lamps (HIT) or high pressure sodium lamps (HST)</b>		<b>CODE</b>	<b>CODE</b>
35W HIT AVO	CONTROL GEAR	498222	498223
70W HIT - HST Display	CONTROL GEAR	498312	498323
70W HIT - HST	CONTROL GEAR	498322	

**P500**

A surface mounted fixed spot, which is available with one, two or three lamps.  
Ideal for shopping malls, stores, hotels, exhibition halls, museums etc.

**Technical Features**

- Aluminium body, painted electrostatically in selected colour or plated.
- Steel lampholder - mounting base.
- Easy mounting.



P500

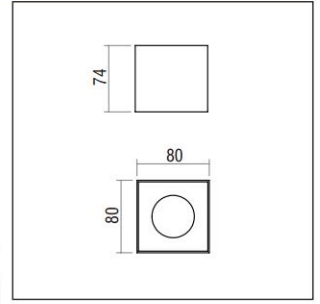
P500



CE	F	850°C	IP 20
0°	0°		
PAR 16	LED	FLUO	

- Simple version for incandescent halogen max.50W GU10.  
- For one lamp.

Code	Description	Kg
88001	P500 1x50W PAR16 (LED, FLUO) / GU10	0,270



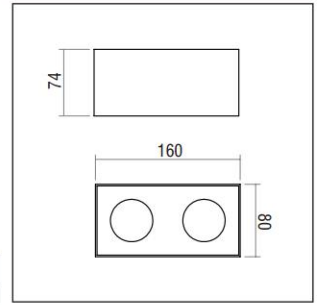
P510



CE	F	850°C	IP 20
0°	0°		
PAR 16	LED	FLUO	

- Simple version for incandescent halogen max.50W GU10.  
- For two lamps.

Code	Description	Kg
88002	P510 2x50W PAR16 (LED, FLUO) / GU10	0,450



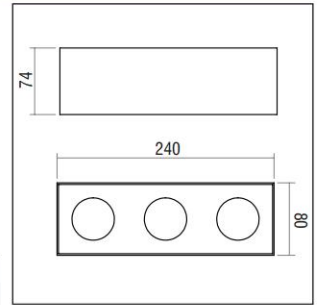
P520



CE	F	850°C	IP 20
0°	0°		
PAR 16	LED	FLUO	

- Simple version for incandescent halogen max.50W GU10.  
- For three lamps.

Code	Description	Kg
88003	P520 3x50W PAR16 (LED, FLUO) / GU10	0,630



Colour Codes:

1 White 2 Titan 3 Black 4 Chrome 5 matt Alum.

## ERIS



Eris is a range of surface mounted square luminaires, with the lamp deep inside. Eris 1 is the smaller one and it has no rotation. Eris 2 is adjustable with symmetric distribution and Eris 3 is also adjustable but with asymmetric distribution. All of them can be produced with different heights upon request.

## Technical Features

- Steel body (or aluminium body for plated editions).
- Inner adjustable ring from aluminium with clips for easy lamp replacement.
- High pure aluminium reflectors in Spot, Medium, Wide versions and tempered protection glass for HIT-CE, HIT-TC-CE versions.

**For LED Version**

- Pure light without IR/UV radiation.
- Die cast aluminum heatsink anodized.
- Efficient thermal management.
- 1800 lumen in 22W neutral edition.
- Operation life: 50,000 hours with efficiency > 70% of the initial luminous flux.
- Connection for operation with Constant Current.

## Efficiency:

22W: 4000 K: 1800 Lumen, CRI: min. 75

22W: 3000 K: 1800 Lumen, CRI: min. 80

Maximum: 95 Lm/W

**Upon request:**

Available with highest colour rendering index (CRI)

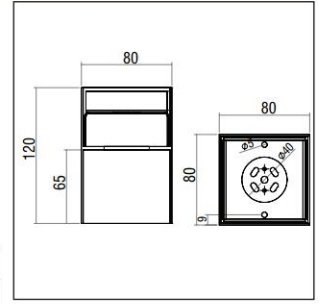
ERIS

ERIS 1



CE	F	850°C	IP 20
0°	0°		
PAR 16	LED	FLUO	

- Version for PAR 16/GU10.
- Aluminium body.
- 230V/50Hz.



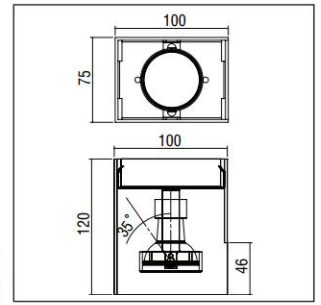
Code	Description	Kg
88011	ERIS 1 PAR 16/GU10	0,350

ERIS 1 ASYM



CE	F	850°C	IP 20
30°	0°		
PAR 16	LED	FLUO	

- Version for PAR 16/GU10.
- Aluminium body.
- 230V/50Hz.



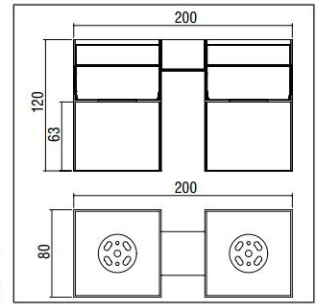
Code	Description	Kg
88009	ERIS 1 ASYM PAR 16/GU10	0,450

ERIS 1 DOUBLE

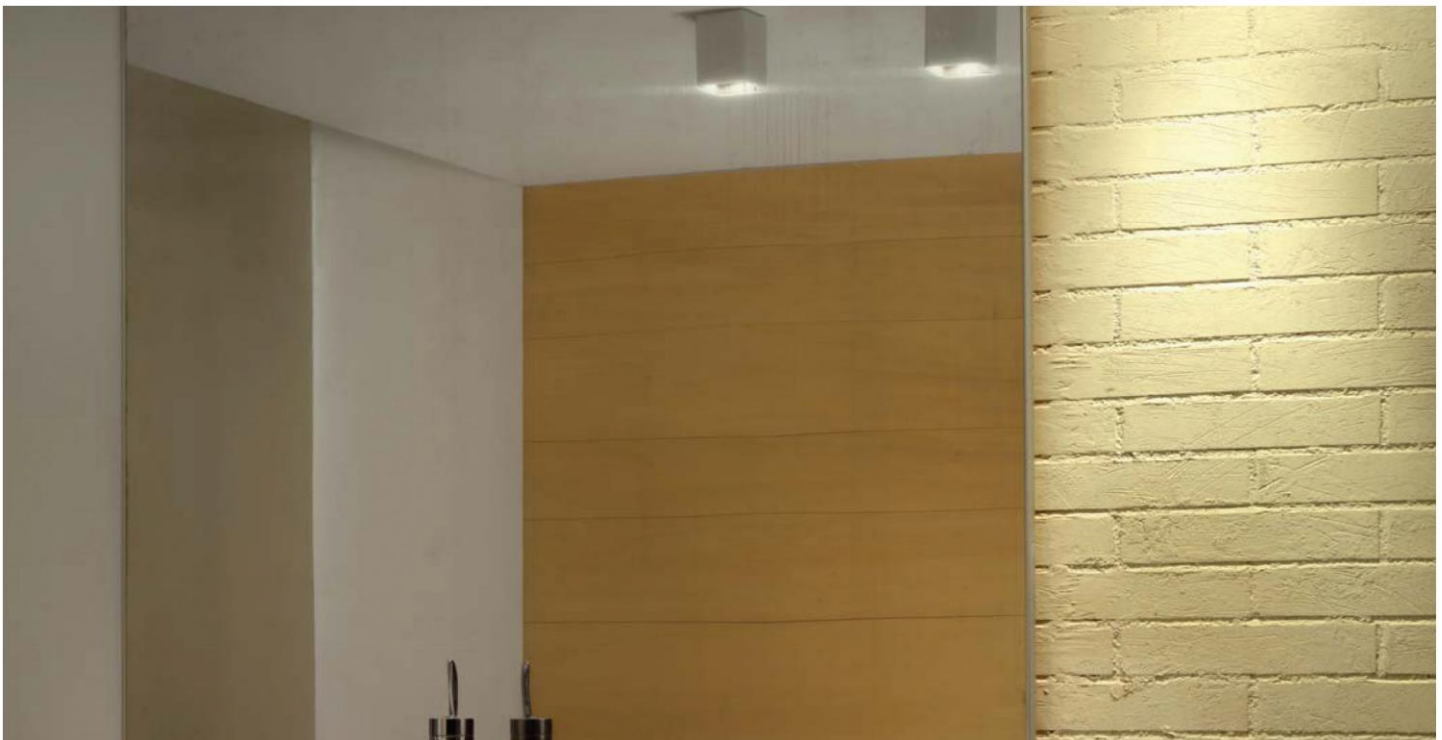


CE	F	850°C	IP 20
30°	0°		
PAR 16	LED	FLUO	

- Version for PAR 16/GU10.
- Aluminium body.
- 230V/50Hz.



Code	Description	Kg
88018	ERIS 1 DOUBLE 2xPAR 16/GU10	0,850



ERIS

ERIS 2 SYM

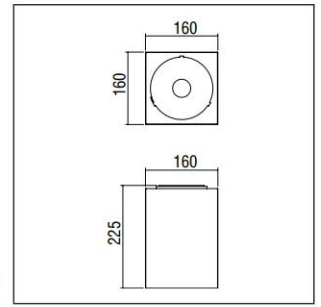


850°C

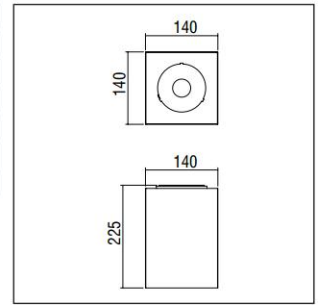
Included

ta 25°C

- Symmetrical version for (HIT-CE, HIT-TC-CE, QR111, CDM-R111, LED R111, LED CHIP).
- Inner adjustable ring from aluminium with clips for easy lamp replacement.
- High pure aluminium reflectors in Spot, Medium, Wide versions and tempered protection glass for HIT-CE, HIT-TC-CE versions.



Code	Description	Kg
88402	ERIS 2 SYM. 1x35W HIT-CE/G12 SPOT	1,850
88403	ERIS 2 SYM. 1x35W HIT-CE/G12 MEDIUM	1,850
88404	ERIS 2 SYM. 1x35W HIT-CE/G12 WIDE	1,850
88405	ERIS 2 SYM. 1x70W HIT-CE/G12 SPOT	1,850
88406	ERIS 2 SYM. 1x70W HIT-CE/G12 MEDIUM	1,850
88407	ERIS 2 SYM. 1x70W HIT-CE/G12 WIDE	1,850
88409	ERIS 2 SYM. 1x35W HIT-TC-CE/G8,5 SPOT	1,850
88410	ERIS 2 SYM. 1x35W HIT-TC-CE/G8,5 MEDIUM	1,850
88411	ERIS 2 SYM. 1x35W HIT-TC-CE/G8,5 WIDE	1,850
88412	ERIS 2 SYM. 1x70W HIT-TC-CE/G8,5 SPOT	1,850
88413	ERIS 2 SYM. 1x70W HIT-TC-CE/G8,5 MEDIUM	1,850
88414	ERIS 2 SYM. 1x70W HIT-TC-CE/G8,5 WIDE	1,850
88012	ERIS 2 SYM. 1x75W max. QR111/G53	1,500
88013	ERIS 2 SYM. 1x35W CDM-R111/GX8,5	1,700
88014	ERIS 2 SYM. 1x70W CDM-R111/GX8,5	1,700
88415	ERIS 2 SYM. LED R111/GU10	1,500
88416	ERIS 2 SYM. LED CHIP 22W	2,000
88461	ERIS 2 SYM. 1x20W HIT-TC-CE/GU6,5 SPOT	1,850
88462	ERIS 2 SYM. 1x20W HIT-TC-CE/GU6,5 MEDIUM	1,850
88463	ERIS 2 SYM. 1x20W HIT-TC-CE/GU6,5 WIDE	1,850
88464	ERIS 2 SYM. 1x35W HIT-TC-CE/GU6,5 SPOT	1,850
88465	ERIS 2 SYM. 1x35W HIT-TC-CE/GU6,5 MEDIUM	1,850
88466	ERIS 2 SYM. 1x35W HIT-TC-CE/GU6,5 WIDE	1,850
88467	ERIS 2 SYM. LED CHIP 10,5W	2,000



ERIS 3 ASYM

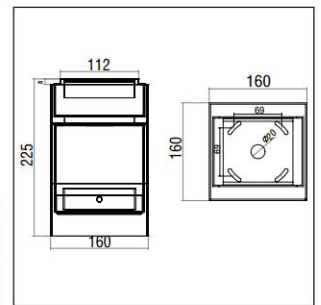


850°C

Included

- Asymmetrical version for (QR111, CDM-R111).
- Inner adjustable ring from aluminium with clips for easy lamp replacement.

Code	Description	Kg
88015	ERIS 3 ASYM. 1x75W max. QR111/G53	1,500
88016	ERIS 3 ASYM. 1x35W CDM-R111/GX8,5	1,700
88017	ERIS 3 ASYM. 1x70W CDM-R111/GX8,5	1,700



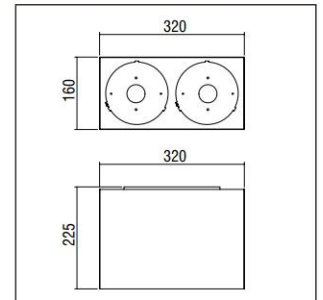
ERIS

ERIS 4 SYM



CE	F	850°C	IP 20
40°	0°		
			Included
OSRAM: HCL-R 111 PHILIPS: CDM-R 111	OSRAM: HALOSPOT 111 PHILIPS: AULINE 111	OSRAM: HCL-T PHILIPS: CDM-T	OSRAM: HCL-TC PHILIPS: CDM-TC
LED	LED Version	ta 25°C	

- Symmetrical version for (HIT-CE, HIT-TC-CE, QR111, CDM-R111, LED R111, LED CHIP).
- Inner adjustable ring from aluminium with clips for easy lamp replacement.
- High pure aluminium reflectors in Spot, Medium, Wide versions and tempered protection glass for HIT-CE, HIT-TC-CE versions.



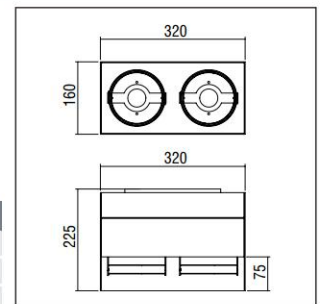
Code	Description	Kg
88437	ERIS 4 SYM. 2x35W HIT-CE/G12 SPOT	3,600
88438	ERIS 4 SYM. 2x35W HIT-CE/G12 MEDIUM	3,600
88439	ERIS 4 SYM. 2x35W HIT-CE/G12 WIDE	3,600
88443	ERIS 4 SYM. 2x35W HIT-TC-CE/G8,5 SPOT	3,600
88444	ERIS 4 SYM. 2x35W HIT-TC-CE/G8,5 MEDIUM	3,600
88445	ERIS 4 SYM. 2x35W HIT-TC-CE/G8,5 WIDE	3,600
88449	ERIS 4 SYM. 2x75W max. QR111/G53	2,900
88450	ERIS 4 SYM. 2x35W CDM-R111/GX8,5	3,300
88452	ERIS 4 SYM. LED R111/GU10	2,900
88453	ERIS 4 SYM. LED CHIP 22W	3,900

ERIS 5 ASYM



CE	F	850°C	IP 20
40°	0°		
			Included
OSRAM: HCL-R 111 PHILIPS: CDM-R 111	OSRAM: HALOSPOT 111 PHILIPS: AULINE 111		

- Asymmetrical version for (QR111, CDM-R111).
- Inner adjustable ring from aluminium with clips for easy lamp replacement.



Code	Description	Kg
88458	ERIS 5 ASYM. 2x75W max. QR111/G53	3,000
88459	ERIS 5 ASYM. 2x35W CDM-R111/GX8,5	3,400
88460	ERIS 5 ASYM. 2x70W CDM-R111/GX8,5	3,400

LED COLOUR CODES:

2 Warm 3 Neutral

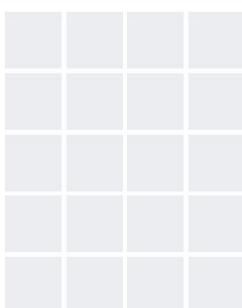
BEAM CODES:

00 diffuser 01 spot 02 medium 03 wide

Colour Codes:

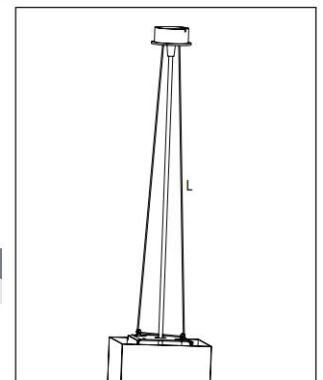
0 Colours 1 White 2 Titan 3 Black 4 Chrome 5 matt Alum.

ERIS - ACCESSORY



- Double adjustable suspension of stainless steel cable and regulators.
- Power supply for suspended fittings consisting of an aluminium rosette and transparent cable 3x0, 75mm<sup>2</sup>.

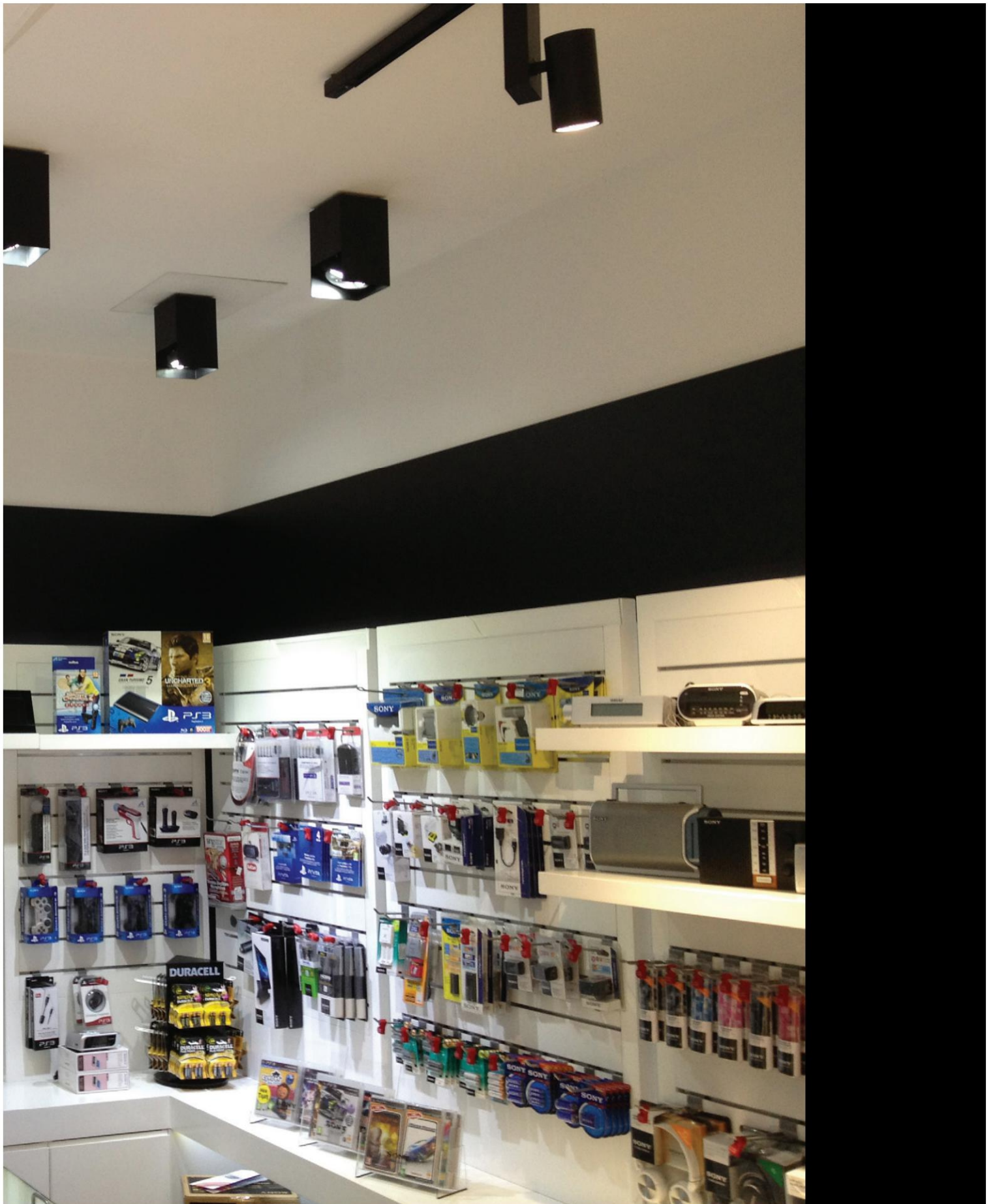
Code	Description	Kg
80801	DOUBLE SUSPENSION WITH POWER SUPPLY	0,400



ERIS



ERIS



**NANO****NANO 3**

Nano 3 is a suspended luminaire with cylindrical shape. It's elegant minimal design raises the architectural interest, while it's LED source ensures excellent performance with maximum energy efficiency. It can be produced with different heights upon request. It is the perfect choice for reception halls, bars, restaurants, houses etc.

**NANO 6**

Nano 6 is a surface mounted or suspended luminaire with cylindrical shape. It's elegant minimal design raises the architectural interest, while the fact that it can be produced in several heights upon request makes it the perfect choice for reception halls, bars, restaurants, houses etc.

**NANO applique**

Nano is an minimal applique with LED source. It is ideal for hotels, reception halls, bars, restaurants, houses etc.

**Technical Features**

- Body from aluminium profile painted electrostatically in selected colour or plated.
- Mounting base from aluminium, painted electrostatically in selected colour or plated.

**Upon request:**

Available with highest colour rendering index (CRI)

**For LED Version**

- Pure light without IR/UV radiation.
- Operation life: 50,000 hours with efficiency > 70% of the initial luminous flux.
- Connection for operation with Constant Current.



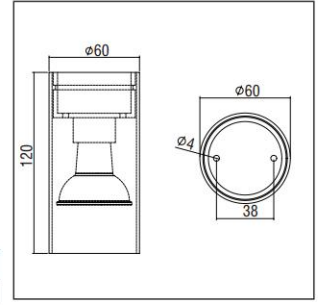
NANO

NANO 6 - SURFACE



CE	F	850°C	IP 20
PAR 16	LED	FLUO	

- Version for PAR 16/GU10.
- Aluminium body.
- 230V/50Hz.



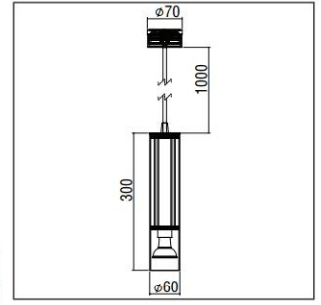
Code	Description	Kg
88054	NANO 6 1x50W PAR16 (LED, FLUO) / GU10	0,270

NANO 6 - PENDANT



CE	F	850°C	IP 20
PAR 16	LED	FLUO	

- Pendant version for PAR 16/GU10.
- Aluminium body.
- 230V/50Hz.



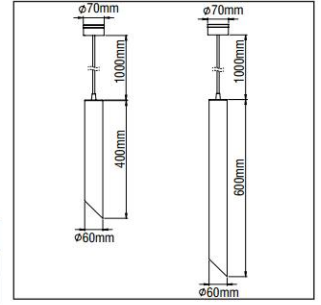
Code	Description	Kg
88055	NANO 6 1x50W PAR16 (LED, FLUO) / GU10	0,820

NANO 6 AS - PENDANT



CE	F	850°C	IP 20
PAR 16	LED	FLUO	

- Pendant version for PAR 16/GU10.
- Aluminium body in asymmetrical version.
- 230V/50Hz.



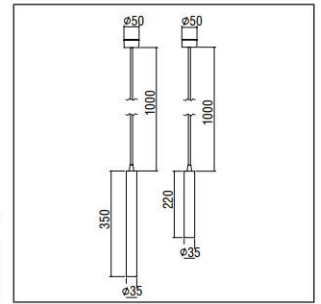
Code	Description	Kg
88096	NANO 6 AS 1x50W PAR16 (LED, FLUO) / GU10 40cm	1,100
88097	NANO 6 AS 1x50W PAR16 (LED, FLUO) / GU10 60cm	1,200

NANO 3 - PENDANT



CE	F	850°C	IP 40
LED	ta 25°C	Included	

- Pendant version for LED CHIP.
- Aluminium body.
- 230V/50Hz.



Code	Description	Kg
88050	NANO 3 LED 3W 22cm	0,600
88051	NANO 3 LED 3W 35cm	0,800

NANO

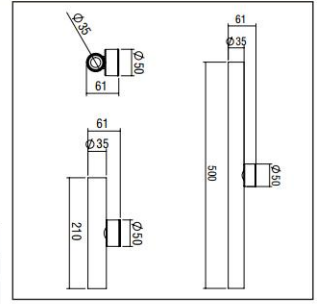
NANO 3 - APPLIQUE



CE	F	850°C	IP 40
LED	5 YEARS WARRANTY	ta 25°C	Included

- Applique version for LED CHIP.
- Aluminium body.
- 230V/50Hz.

Code	Description	Kg
88052	NANO 3 LED APPLIQUE 3W 21cm	0,600
88053	NANO 3 LED APPLIQUE 3W 50cm	0,850



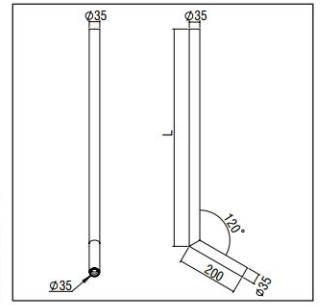
NANO 3 - FLEX



CE	F	850°C	IP 40
LED	5 YEARS WARRANTY	ta 25°C	Included

- Surface flex version for LED CHIP.
- Aluminium body.
- 230V/50Hz.

Code	Description	Kg
88057	NANO 3 LED FLEX 3W 40cm	0,700
88058	NANO 3 LED FLEX 3W 60cm	0,850
88059	NANO 3 LED FLEX 3W 80cm	1,000



LED COLOUR CODES:

2 Warm 3 Neutral

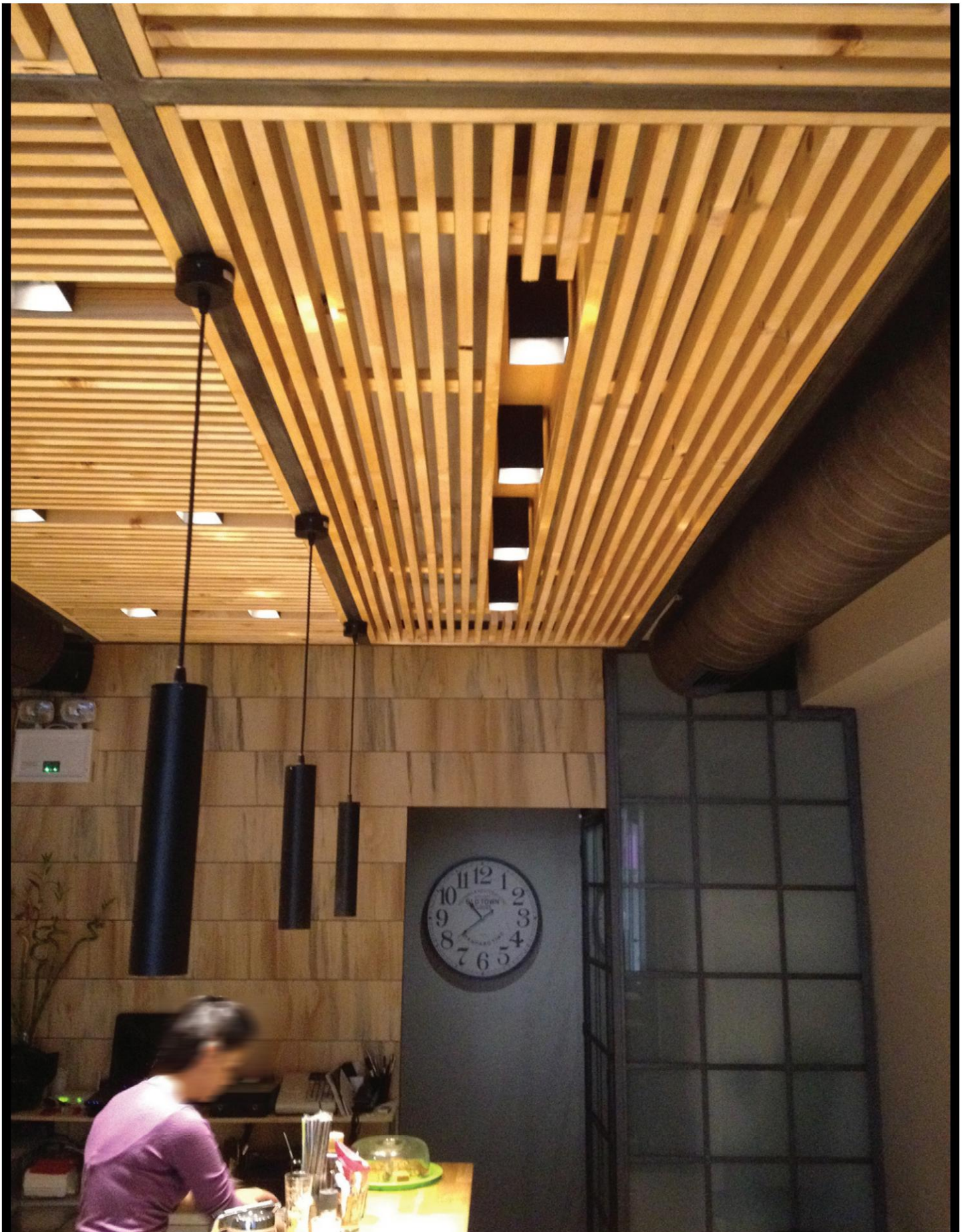
BEAM CODES:

01 spot 02 medium 03 wide

Colour Codes:

0 Colours 1 White 2 Titan 3 Black 4 Chrome 5 matt Alum.

NANO



## ROLLER



Roller is surface mounted or suspended luminaire with cylindrical shape. It can be produced with different heights upon request. Due to it's version with high protection degree (IP54) it can also be used as an outdoor luminaire for facade lighting.

### Technical Features

- Aluminium body.
- High pure aluminium reflectors in Spot, Medium, Wide versions and tempered protection glass for HIT-CE, HIT-TC-CE versions.

#### For LED Version

- Pure light without IR/UV radiation.
- Efficient thermal management.
- 1800 lumen in 22W and 2000 lumen in 25W neutral edition.
- Operation life: 50,000 hours with efficiency > 70% of the initial luminous flux.
- Connection for operation with Constant Current.

#### Efficiency:

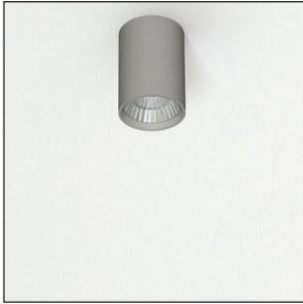
22W: 4000 K: 1800 Lumen, CRI: min. 75  
 22W: 3000 K: 1800 Lumen, CRI: min. 80  
 25W: 4000 K: 2000 Lumen, CRI: min. 80  
 25W: 3000 K: 2000 Lumen, CRI: min. 80  
 Maximum: 95 Lm/W

#### Upon request:

Available with highest colour rendering index (CRI)

ROLLER

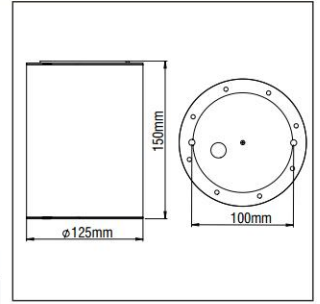
ROLLER LED 25W 230V IP20



CE	F	850°C	IP 20
0°	0°		
LED	LED Version	ta 25°C	

- Aluminium body.
- High efficient reflectors in Medium and Wide versions.
- 230V/50Hz module.

Code	Description	Kg
88008	ROLLER 25W 230V/50Hz IP20	1,200



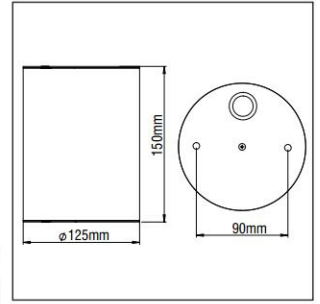
ROLLER LED 25W 230V IP54



CE	F	850°C	IP 54
0°	0°		
LED	LED Version	ta 25°C	

- Aluminium body.
- High efficient reflectors in Medium and Wide versions.
- Tempered protection glass.
- 230V/50Hz module.

Code	Description	Kg
88019	ROLLER 25W 230V/50Hz IP54	1,500



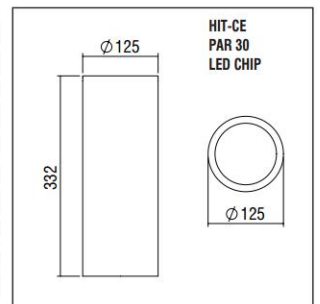
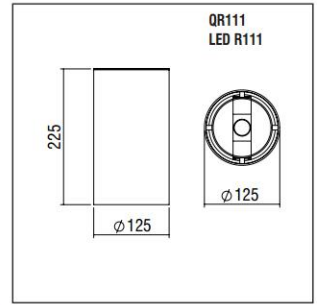
ROLLER



CE	F	850°C	IP 20 IP 54
0°	0°		
			Included
LED	LED Version	ta 25°C	

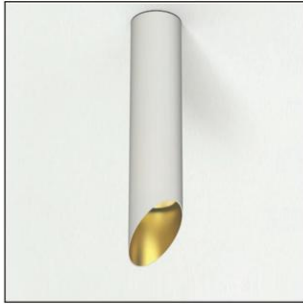
- Aluminium body.
- High pure aluminium reflectors in Spot, Medium, Wide versions and tempered protection glass for HIT-CE, HIT-TC-CE versions.

Code	Description	IP	Kg	
88022	ROLLER 1x35W HIT-CE/G12 SPOT	IP54	3,100	
88028	ROLLER 1x35W HIT-CE/G12 MEDIUM	IP54	3,100	
88020	ROLLER 1x35W HIT-CE/G12 WIDE	IP54	3,100	
88023	ROLLER 1x70W HIT-CE/G12 SPOT	IP54	3,100	
88029	ROLLER 1x70W HIT-CE/G12 MEDIUM	IP54	3,100	
88021	ROLLER 1x70W HIT-CE/G12 WIDE	IP54	3,100	
88024	ROLLER 1x100W max. PAR 30/E27	IP20	1,400	
88025	ROLLER 1x50W max. QR111/G53	IP20	1,350	
LED	88026	ROLLER LED R111/GU10	IP20	1,350
LED	88027	ROLLER LED CHIP 22W	IP20	3,100



ROLLER

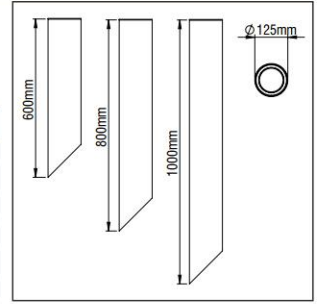
ROLLER AS



CE	F	850°C	IP 20
↻	↻		
LED			

- Aluminium body in asymmetrical version.

Code	Description	Kg
88090	ROLLER AS 1x100W max. PAR 30/E27 60cm	2,000
88092	ROLLER AS 1x100W max. PAR 30/E27 80cm	2,250
88094	ROLLER AS 1x100W max. PAR 30/E27 100cm	2,500
88091	ROLLER AS LED R111/GU10 60cm	1,900
88093	ROLLER AS LED R111/GU10 80cm	2,150
88095	ROLLER AS LED R111/GU10 100cm	2,400



ROLLER ACCESSORIES



CE	F		IP 20

ACCESSORY		
Code	Description	Kg
80800	SUSPENSION max.1000mm with Power Supply and Rosette	0,200

**LED COLOUR CODES:**

2	Warm	3	Neutral
---	------	---	---------

**BEAM CODES:**

01	spot	02	medium	03	wide
----	------	----	--------	----	------

**Colour Codes:**

0	Colours	1	White	2	Titan	3	Black	4	Chrome	5	matt Alum.
---	---------	---	-------	---	-------	---	-------	---	--------	---	------------

ROLLER



ROLLER

