

FLASH 2

Flash 2 is a highly innovative recessed spot, with or without rotation. It can satisfy multiple lighting requirements thanks to its wide variety of modules, which makes it a perfect choice for houses, galleries, museums and retail areas.

A LED version is also available and it is guaranteed by the use of last generation light sources which ensure excellent performance with maximum energy efficiency. This, in combination with an efficient thermal management, makes Flash 2 a warranty for premium lighting with LED technology.

Technical Features

- Aluminium body, painted electrostatically in selected colour or plated.
- For adjustable edition aluminium internal ring.
- Easy mounting with clips.

Upon request:

Available with highest colour rendering index (CRI)

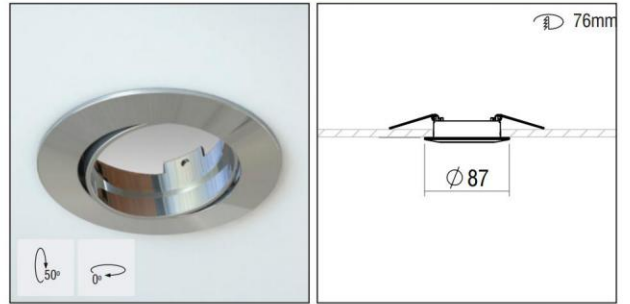
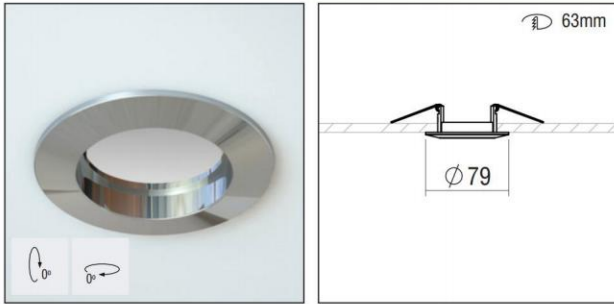
For LED Version

- Big range of aluminium reflector, lens, diffusers.
- Pure light without IR/UV radiation.
- 3W up to 7W wattage range and 300 up to 825 luminous flux range.
- Die cast aluminum heatsink anodized.
- Operation life: 50,000 hours with efficiency > 70% of the initial luminous flux.
- Connection for operation with Constant Current.

FLASH 2

FLASH 2 - Fixed Fitting

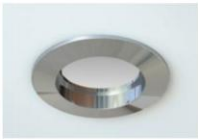


FLASH 2 - Adjustable Fitting



Code	Description	Kg
88140	FLASH 2 Fixed	0,100

Code	Description	Kg
88141	FLASH 2 Adjustable	0,100

EXAMPLE

	FLASH 2 FIXED		Module 50 IRA 7W Reflector		DRIVER 350mA 8W
CODE	PIECE	CODE	PIECE	CODE	PIECE
88140	1	80608	1	800020	1

FLASH 2 + G5.3

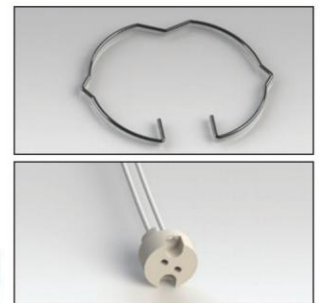
G5.3 LAMPHOLDER + CLIP



CE	F	850°C	IP 20
0/50°	0°	1-16mm	
SODAK DECORAN 21 PHILIPS MASTERLINE			

- Simple version for incandescent halogen max.50W 12V (QR-CBC 51).

Code	Description	Kg
806051	Lampholder G5,3 + Safety Lamp Clip	0,020



FLASH 2 + GU10

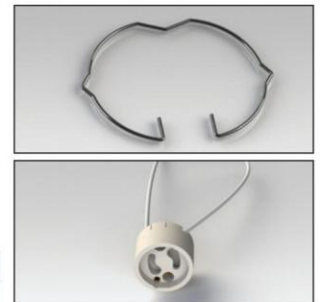
GU10 LAMPHOLDER + CLIP



CE	F	850°C	IP 20
0/50°	0°	1-16mm	
PAR 16	LED	FLUO	

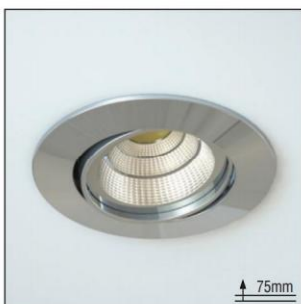
- Simple version for incandescent halogen max.50W 230V (PAR16).

Code	Description	Kg
806050	Lampholder GU10 + Safety Lamp Clip	0,020



FLASH 2 + Module 50 IRA Reflector

Module 50 IRA Reflector



CE	F	850°C	IP 20
0/50°	0°	1-16mm	
LED	500mA	ta 25°C	350/500mA

- Reflectors: 7W: Medium - Wide / 5W: Medium
 - 5W power consumption driver at 500mA.
 - 7W power consumption driven at 350mA.
 - Efficiency: 5W: 4000 K: 419 Lumen, CRI: min. 80
 5W: 3000 K: 419 Lumen, CRI: min. 80
 7W: 4000 K: 825 Lumen, CRI: min. 80
 7W: 3000 K: 720 Lumen, CRI: min. 80
 Maximum: 118 Lm/W

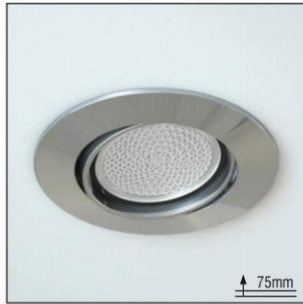
Code	Description	Kg
80643	Module 50 IRA 5W Reflector	0,120
80608	Module 50 IRA 7W Reflector	0,120



FLASH 2

FLASH 2 + Module 50 DIMITRA Reflector HO

Module 50 DIMITRA Reflector HO



CE	F	850°C	IP 40
0,50°	0°	1-16mm	
LED	500mA	ta 25°C	500mA

- Reflectors: Spot, Medium, Wide.
- 5W power consumption driven at 500mA.
- Efficiency:
 - 5W: 4000 K: 419 Lumen, CRI: min. 80
 - 5W: 3000 K: 419 Lumen, CRI: min. 80
 - Maximum: 84 Lm/W

Code	Description	Kg
80609	Module 50 DIMITRA 5W Reflector HO	0,150



FLASH 2 + Module 50 ARTEMIS Diffuser Prismatic

Module 50 ARTEMIS Diffuser Prismatic



CE	F	850°C	IP 40
0,50°	0°	1-16mm	
LED	350/500mA	ta 25°C	350/500mA

- Beam: Diffuser.
- 5W power consumption driven at 500mA.
- 7W power consumption driven at 350mA.
- Efficiency:
 - 5W: 4000 K: 419 Lumen, CRI: min. 80
 - 5W: 3000 K: 419 Lumen, CRI: min. 80
 - 7W: 4000 K: 825 Lumen, CRI: min. 80
 - 7W: 3000 K: 720 Lumen, CRI: min. 80
 - Maximum: 118 Lm/W

Code	Description	Kg
80625	Module 50 ARTEMIS 5W Diffuser Prismatic	0,150
80626	Module 50 ARTEMIS 7W Diffuser Prismatic	0,150



FLASH 2 + Module 50 ATHINA Diffuser Opal

Module 50 ATHINA Diffuser Opal



CE	F	850°C	IP 40
0,50°	0°	1-16mm	
LED	350/500mA	ta 25°C	350/500mA

- Beam: Diffuser.
- 5W power consumption driven at 500mA.
- 7W power consumption driven at 350mA.
- Efficiency:
 - 5W: 4000 K: 419 Lumen, CRI: min. 80
 - 5W: 3000 K: 419 Lumen, CRI: min. 80
 - 7W: 4000 K: 825 Lumen, CRI: min. 80
 - 7W: 3000 K: 720 Lumen, CRI: min. 80
 - Maximum: 118 Lm/W

Code	Description	Kg
80627	Module 50 ATHINA 5W Diffuser Opal	0,150
80628	Module 50 ATHINA 7W Diffuser Opal	0,150



FLASH 2 + Module 50 VENUS Lens

Module 50 VENUS Lens



CE	F	850°C	IP 40
0,50°	0°	1-16mm	
LED	350/700mA	ta 25°C	350/700mA

- Lens: Spot, Medium, Wide.
- 3W power consumption driven at 350mA.
- 6W power consumption driven at 700mA.
- Efficiency:
 - 3W: 4000 K: 321 Lumen, CRI: min. 75
 - 3W: 3000 K: 300 Lumen, CRI: min. 80
 - 6W: 4000 K: 600 Lumen, CRI: min. 75
 - 6W: 3000 K: 570 Lumen, CRI: min. 80
 - Maximum: 107 Lm/W

Code	Description	Kg
80607	Module 50 VENUS 3W/6W Lens	0,150



LED COLOUR CODES:

2 Warm 3 Neutral

BEAM CODES:

00 diffuser 01 spot 02 medium 03 wide

Colour Codes:

0 Colours 1 White 2 Titan 3 Black 4 Chrome 5 matt Alum.

FLASH 2

		DRIVERS						
		350mA 8W	350mA 15W	350mA 25W	500mA 6W	500mA 16W	700mA 14W	700mA 30W
		70x35x21	120x35x19	125x79x22	70x35x21	115x45x27,5	158x21x18	156x50x33
CODES	MODULES	800020	800022	800041	800024	800031	800026	800032
80643	Module 50 IRA Reflector 5W (500mA)				1 module	2 - 3 modules		
80608	Module 50 IRA Reflector 7W (350mA)	1 module	1 - 2 modules	1 - 3 modules				
80609	Module 50 DIMITRA Reflector HO 5W (500mA)				1 module	2 - 3 modules		
80625	Module 50 ARTEMIS Diffuser Prismatic 5W (500mA)				1 module	2 - 3 modules		
80626	Module 50 ARTEMIS Diffuser Prismatic 7W (350mA)	1 module	1 - 2 modules	1 - 3 modules				
80627	Module 50 ATHINA Diffuser Opal 5W (500mA)				1 module	2 - 3 modules		
80628	Module 50 ATHINA Diffuser Opal 7W (350mA)	1 module	1 - 2 modules	1 - 3 modules				
80607	Module 50 VENUS Lens 3W (350mA)	1 - 2 modules	3 - 4 modules					
80607	Module 50 VENUS Lens 6W (700mA)						1 - 2 modules	3 - 4 modules

DRIVERS DIMMER		
350mA 15W 500mA 22W 700mA 30W	350mA 25W 500mA 35W 700mA 50W	350mA 25W 500mA 35W 700mA 50W
145x40x28	125x79x22	125x79x22
1-10/ Push B.	1-10/ Push B.	1-10/ Push B./Dali

12V TRANSFORMERS		
Modules CODES	MODULES	Transf. CODES
806051	Module 50 G5,3 12V up to 70W	800006
806051	Module 50 G5,3 12V up to 105W	800007

CODES	MODULES	800040	800043*	800042*
80643	Module 50 IRA Reflector 5W (500mA)	3 - 4 modules	2 - 6 modules	2 - 6 modules
80608	Module 50 IRA Reflector 7W (350mA)	1 - 2 modules	1 - 3 modules	1 - 3 modules
80609	Module 50 DIMITRA Reflector HO 5W (500mA)	3 - 4 modules	2 - 6 modules	2 - 6 modules
80625	Module 50 ARTEMIS Diffuser Prismatic 5W (500mA)	3 - 4 modules	2 - 6 modules	2 - 6 modules
80626	Module 50 ARTEMIS Diffuser Prismatic 7W (350mA)	1 - 2 modules	1 - 3 modules	1 - 3 modules
80627	Module 50 ATHINA Diffuser Opal 5W (500mA)	3 - 4 modules	2 - 6 modules	2 - 6 modules
80628	Module 50 ATHINA Diffuser Opal 7W (350mA)	1 - 2 modules	1 - 3 modules	1 - 3 modules
80607	Module 50 VENUS Lens 3W (350mA)	2 - 4 modules	2 - 7 modules	2 - 7 modules
80607	Module 50 VENUS Lens 6W (700mA)	2 - 4 modules	2 - 7 modules	2 - 7 modules

Please order modules and drivers separately

* Please order synchronization cable for each dimmer driver separately - Code: 800044 (4m)