

**FLASH 1**

Flash 1 is a highly innovative recessed spot, with or without rotation. It is ideal for smooth ambient lighting or accent lighting inside display cabinets. The last generation LED chip ensures excellent performance with maximum energy efficiency. This, in combination with an efficient thermal management, makes Flash 1 a warranty for premium lighting with LED technology.

**Technical Features**

- Aluminium body, painted electrostatically in selected colour or plated.
- For adjustable edition aluminium internal ring.
- Easy mounting with clips.
- Reflector or lens selection.
- Pure light without IR/UV radiation.
- 1W and 2W wattage editions.
- Die cast aluminum heatsink anodized.
- Operation life: 50,000 hours with efficiency > 70% of the initial luminous flux.
- Connection for operation with Constant Current.

**Upon request:**

Available with highest colour rendering index (CRI)

FLASH 1

FLASH 1 Fixed - Lens



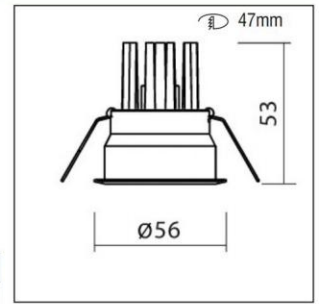
850°C IP 20  

 1-16mm  

 ta 25°C

- Beams: Spot, Medium, Wide.
- 1W power consumption driven at 350mA.
- 2W power consumption driven at 700mA.
- Efficiency:
- 1W: 4000 K: 107 Lumen, CRI: min. 75
- 1W: 3000 K: 100 Lumen, CRI: min. 80
- 2W: 4000 K: 200 Lumen, CRI: min. 75
- 2W: 3000 K: 185 Lumen, CRI: min. 80
- Maximum: 107 Lm/W

Code	Description	Kg
88132	FLASH 1 Fixed Lens 1/2W	0,110



FLASH 1 Adjustable - Lens



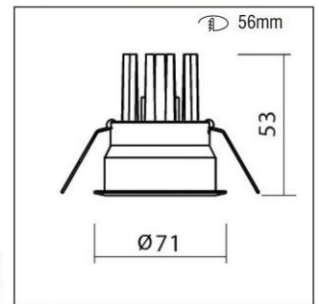
850°C IP 20  

 1-16mm  

 ta 25°C

- Beams: Spot, Medium, Wide.
- 1W power consumption driven at 350mA.
- 2W power consumption driven at 700mA.
- Efficiency:
- 1W: 4000 K: 107 Lumen, CRI: min. 75
- 1W: 3000 K: 100 Lumen, CRI: min. 80
- 2W: 4000 K: 200 Lumen, CRI: min. 75
- 2W: 3000 K: 185 Lumen, CRI: min. 80
- Maximum: 107 Lm/W

Code	Description	Kg
88133	FLASH 1 Adjustable Lens 1/2W	0,120



FLASH 1 Fixed - Reflector



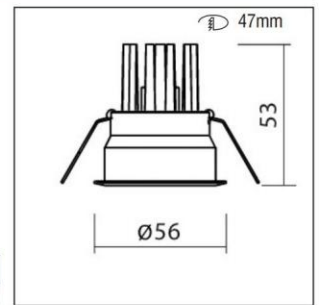
850°C IP 20  

 1-16mm  

 ta 25°C

- Reflectors: Spot.
- 1W power consumption driven at 350mA.
- 2W power consumption driven at 700mA.
- Efficiency:
- 1W: 4000 K: 107 Lumen, CRI: min. 75
- 1W: 3000 K: 100 Lumen, CRI: min. 80
- 2W: 4000 K: 200 Lumen, CRI: min. 75
- 2W: 3000 K: 185 Lumen, CRI: min. 80
- Maximum: 107 Lm/W

Code	Description	Kg
88130	FLASH 1 Fixed Reflector 1/2W	0,110



FLASH 1 Adjustable - Reflector



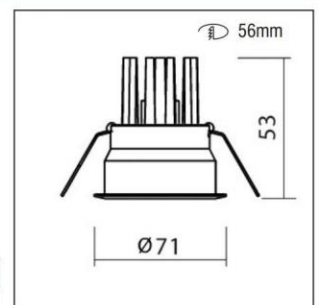
850°C IP 20  

 1-16mm  

 ta 25°C

- Reflectors: Spot.
- 1W power consumption driven at 350mA.
- 2W power consumption driven at 700mA.
- Efficiency:
- 1W: 4000 K: 107 Lumen, CRI: min. 75
- 1W: 3000 K: 100 Lumen, CRI: min. 80
- 2W: 4000 K: 200 Lumen, CRI: min. 75
- 2W: 3000 K: 185 Lumen, CRI: min. 80
- Maximum: 107 Lm/W

Code	Description	Kg
88131	FLASH 1 Adjustable Reflector 1/2W	0,120



LED COLOUR CODES:  
 2 Warm 3 Neutral

BEAM CODES:  
 10 spot 30 medium 45 wide

Colour Codes:  
 0 Colours 1 White 2 Titan 3 Black 4 Chrome 5 matt Alum.

DRIVERS						
LED LUMINAIRES DESCRIPTION	N° Luminaires		DIMENSIONS mm			
	min.	max.				CODE
FLASH 1 (CONSTANT CURRENT) 1W	1	4	350mA 6W	IP20	70 x 35 x 21	800020
FLASH 1 (CONSTANT CURRENT) 1W	5	12	350mA 15W	IP20	120 x 35 x 19	800022
FLASH 1 (CONSTANT CURRENT) 2W	1	2	700mA 6W	IP20	70 x 35 x 21	800076
FLASH 1 (CONSTANT CURRENT) 2W	3	5	700mA 14W	IP20	160 x 22 x 19	800026

DIMMER DRIVERS						
LED LUMINAIRES DESCRIPTION	N° Luminaires		DIMMER TYPE	DIMENSIONS mm		
	min.	max.				CODE
FLASH 1 (CONSTANT CURRENT) 1W	3	10	350mA 15W	IP20	1-10Vdc/Push Button	145 x 40 x 28
FLASH 1 (CONSTANT CURRENT) 2W	3	10	700mA 30W	IP20	1-10Vdc/Push Button	145 x 40 x 28