

ERIS



Eris is a range of surface mounted square luminaires, with the lamp deep inside. Eris 1 is the smaller one and it has no rotation. Eris 2 is adjustable with symmetric distribution and Eris 3 is also adjustable but with asymmetric distribution. All of them can be produced with different heights upon request.

Technical Features

- Steel body (or aluminium body for plated editions).
- Inner adjustable ring from aluminium with clips for easy lamp replacement.
- High pure aluminium reflectors in Spot, Medium, Wide versions and tempered protection glass for HIT-CE, HIT-TC-CE versions.

For LED Version

- Pure light without IR/UV radiation.
- Die cast aluminum heatsink anodized.
- Efficient thermal management.
- 1800 lumen in 22W neutral edition.
- Operation life: 50,000 hours with efficiency > 70% of the initial luminous flux.
- Connection for operation with Constant Current.

Efficiency:

22W: 4000 K: 1800 Lumen, CRI: min. 75

22W: 3000 K: 1800 Lumen, CRI: min. 80

Maximum: 95 Lm/W

Upon request:

Available with highest colour rendering index (CRI)

ERIS

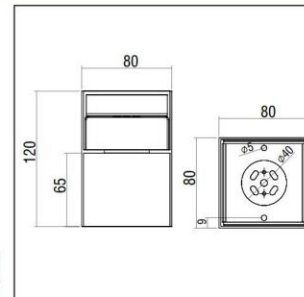
ERIS 1



CE	F	850°C	IP 20
0°	0°		
PAR 16	LED	FLUO	

- Version for PAR 16/GU10.
- Aluminium body.
- 230V/50Hz.

Code	Description	Kg
88011	ERIS 1 PAR 16/GU10	0,350



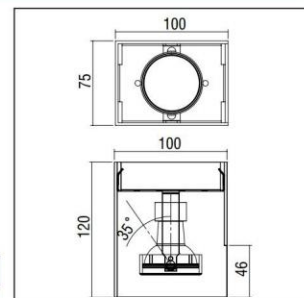
ERIS 1 ASYM



CE	F	850°C	IP 20
30°	0°		
PAR 16	LED	FLUO	

- Version for PAR 16/GU10.
- Aluminium body.
- 230V/50Hz.

Code	Description	Kg
88009	ERIS 1 ASYM PAR 16/GU10	0,450



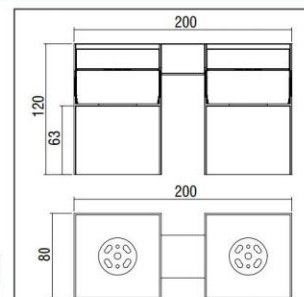
ERIS 1 DOUBLE



CE	F	850°C	IP 20
30°	0°		
PAR 16	LED	FLUO	

- Version for PAR 16/GU10.
- Aluminium body.
- 230V/50Hz.

Code	Description	Kg
88018	ERIS 1 DOUBLE 2xPAR 16/GU10	0,850



ERIS

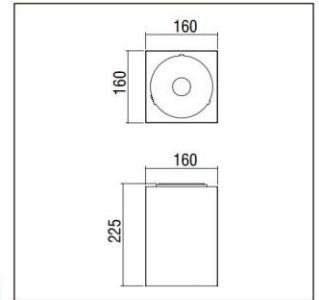
ERIS 2 SYM



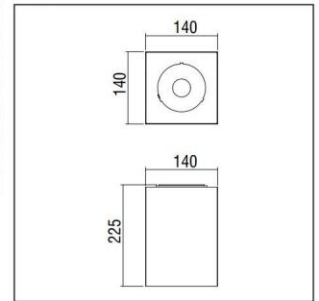
850°C

ta 25°C

- Symmetrical version for (HIT-CE, HIT-TC-CE, QR111, CDM-R111, LED R111, LED CHIP).
- Inner adjustable ring from aluminium with clips for easy lamp replacement.
- High pure aluminium reflectors in Spot, Medium, Wide versions and tempered protection glass for HIT-CE, HIT-TC-CE versions.



Code	Description	Kg
88402	ERIS 2 SYM. 1x35W HIT-CE/G12 SPOT	1,850
88403	ERIS 2 SYM. 1x35W HIT-CE/G12 MEDIUM	1,850
88404	ERIS 2 SYM. 1x35W HIT-CE/G12 WIDE	1,850
88405	ERIS 2 SYM. 1x70W HIT-CE/G12 SPOT	1,850
88406	ERIS 2 SYM. 1x70W HIT-CE/G12 MEDIUM	1,850
88407	ERIS 2 SYM. 1x70W HIT-CE/G12 WIDE	1,850
88409	ERIS 2 SYM. 1x35W HIT-TC-CE/G8,5 SPOT	1,850
88410	ERIS 2 SYM. 1x35W HIT-TC-CE/G8,5 MEDIUM	1,850
88411	ERIS 2 SYM. 1x35W HIT-TC-CE/G8,5 WIDE	1,850
88412	ERIS 2 SYM. 1x70W HIT-TC-CE/G8,5 SPOT	1,850
88413	ERIS 2 SYM. 1x70W HIT-TC-CE/G8,5 MEDIUM	1,850
88414	ERIS 2 SYM. 1x70W HIT-TC-CE/G8,5 WIDE	1,850
88012	ERIS 2 SYM. 1x75W max. QR111/G53	1,500
88013	ERIS 2 SYM. 1x35W CDM-R111/GX8,5	1,700
88014	ERIS 2 SYM. 1x70W CDM-R111/GX8,5	1,700
LED 88415	ERIS 2 SYM. LED R111/GU10	1,500
LED 88416	ERIS 2 SYM. LED CHIP 22W	2,000
88461	ERIS 2 SYM. 1x20W HIT-TC-CE/GU6,5 SPOT	1,850
88462	ERIS 2 SYM. 1x20W HIT-TC-CE/GU6,5 MEDIUM	1,850
88463	ERIS 2 SYM. 1x20W HIT-TC-CE/GU6,5 WIDE	1,850
88464	ERIS 2 SYM. 1x35W HIT-TC-CE/GU6,5 SPOT	1,850
88465	ERIS 2 SYM. 1x35W HIT-TC-CE/GU6,5 MEDIUM	1,850
88466	ERIS 2 SYM. 1x35W HIT-TC-CE/GU6,5 WIDE	1,850
LED 88467	ERIS 2 SYM. LED CHIP 10,5W	2,000



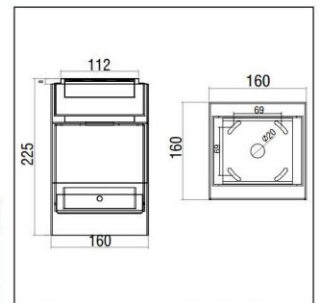
ERIS 3 ASYM



850°C

- Asymmetrical version for (QR111, CDM-R111).
- Inner adjustable ring from aluminium with clips for easy lamp replacement.

Code	Description	Kg
88015	ERIS 3 ASYM. 1x75W max. QR111/G53	1,500
88016	ERIS 3 ASYM. 1x35W CDM-R111/GX8,5	1,700
88017	ERIS 3 ASYM. 1x70W CDM-R111/GX8,5	1,700



ERIS

ERIS 4 SYM



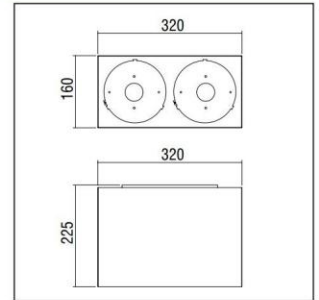
850°C IP 20

 Included

OSRAM: HCR R 111 PHILIPS: CDM-R 111 OSRAM: HALOSPOT 111 PHILIPS: HALOSPOT 111 OSRAM: HCR-T PHILIPS: CDM-T OSRAM: HCR-TC PHILIPS: CDM-TC

 ta 25°C

- Symmetrical version for (HIT-CE, HIT-TC-CE, QR111, CDM-R111, LED R111, LED CHIP).
- Inner adjustable ring from aluminium with clips for easy lamp replacement.
- High pure aluminium reflectors in Spot, Medium, Wide versions and tempered protection glass for HIT-CE, HIT-TC-CE versions.



Code	Description	Kg
88437	ERIS 4 SYM. 2x35W HIT-CE/G12 SPOT	3,600
88438	ERIS 4 SYM. 2x35W HIT-CE/G12 MEDIUM	3,600
88439	ERIS 4 SYM. 2x35W HIT-CE/G12 WIDE	3,600
88443	ERIS 4 SYM. 2x35W HIT-TC-CE/G8,5 SPOT	3,600
88444	ERIS 4 SYM. 2x35W HIT-TC-CE/G8,5 MEDIUM	3,600
88445	ERIS 4 SYM. 2x35W HIT-TC-CE/G8,5 WIDE	3,600
88449	ERIS 4 SYM. 2x75W max. QR111/G53	2,900
88450	ERIS 4 SYM. 2x35W CDM-R111/GX8,5	3,300
88452	ERIS 4 SYM. LED R111/GU10	2,900
88453	ERIS 4 SYM. LED CHIP 22W	3,900

ERIS 5 ASYM

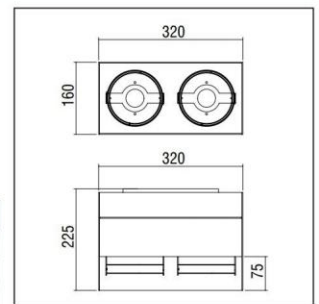


850°C IP 20

 Included

OSRAM: HCR R 111 PHILIPS: CDM-R 111 OSRAM: HALOSPOT 111 PHILIPS: HALOSPOT 111

- Asymmetrical version for (QR111, CDM-R111).
- Inner adjustable ring from aluminium with clips for easy lamp replacement.



Code	Description	Kg
88458	ERIS 5 ASYM. 2x75W max. QR111/G53	3,000
88459	ERIS 5 ASYM. 2x35W CDM-R111/GX8,5	3,400
88460	ERIS 5 ASYM. 2x70W CDM-R111/GX8,5	3,400

LED COLOUR CODES:

2 Warm 3 Neutral

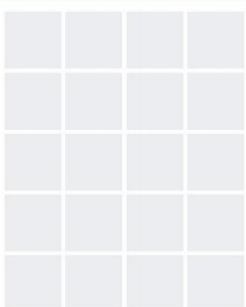
BEAM CODES:

00 diffuser 01 spot 02 medium 03 wide

Colour Codes:

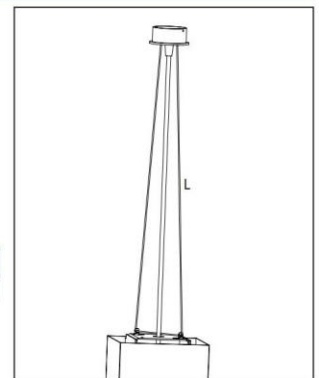
0 Colours 1 White 2 Titan 3 Black 4 Chrome 5 matt Alum.

ERIS - ACCESSORY



- Double adjustable suspension of stainless steel cable and regulators.
- Power supply for suspended fittings consisting of an aluminium rosette and transparent cable 3x0,75mm².

Code	Description	Kg
80801	DOUBLE SUSPENSION WITH POWER SUPPLY	0,400



ERIS



ERIS

