

CREA 1



A recessed mounted luminaire with different light sources. It highlights impressively premises, such as shopping malls, stores, hotels, exhibition halls, museums etc. It is compact and economical architectural version.

Technical Features

- Aluminium body, painted electrostatically in selected colour.
- With clips for easy mounting.
- Connection for operation on 230V-50/60Hz with electronic ballast.

Upon request

- Connection for operation with electronic dimmable ballast.

CREA 1

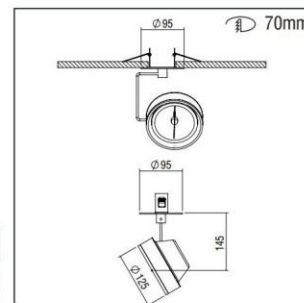
CREA 1 - R



CE	F	IP 20
		Included

- Version for QR111/G53 or LED R111/G53.
- Aluminium body.
- Round base.

Code	Description	Kg
89529	CREA 1 R 1x max.60W QR111/G53	0,850
89609	CREA 1 R 1x LED R111/G53	0,850



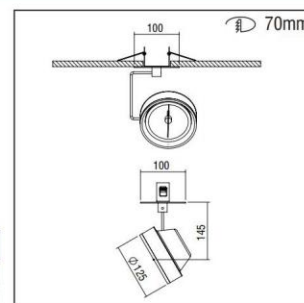
CREA 1 - S



CE	F	IP 20
		Included

- Version for QR111/G53 or LED R111/G53.
- Aluminium body.
- Square base.

Code	Description	Kg
89539	CREA 1 S 1x max.60W QR111/G53	0,850
89619	CREA 1 S 1x LED R111/G53	0,850



Colour Codes:

- 0 Colours 1 White 2 Titan 3 Black 4 Chrome

