

**CORONA - CORONA Q**

Corona is an elegant deep recessed spot with rotation. It can satisfy multiple lighting requirements thanks to its wide variety of modules, which makes it a perfect choice for houses, galleries, museums and retail areas.

A LED version is also available and it is guaranteed by the use of last generation light sources which ensure excellent performance with maximum energy efficiency. This, in combination with an efficient thermal management, makes Corona a warranty for premium lighting with LED technology.

**Technical Features**

- Body from die-cast aluminium, painted electrostatically in selected colour or plated.
- Adjustable internal ring from die-cast aluminium, painted electrostatically in selected colour or plated.
- Easy mounting with clips.

**Upon request:**

Available with highest colour rendering index (CRI)

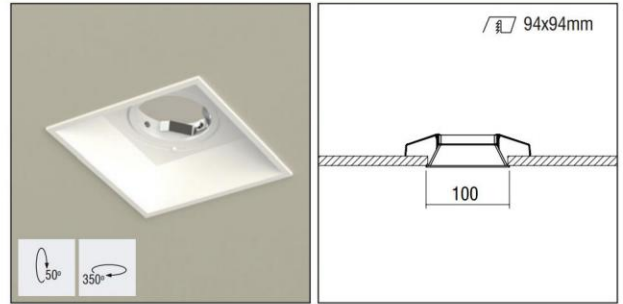
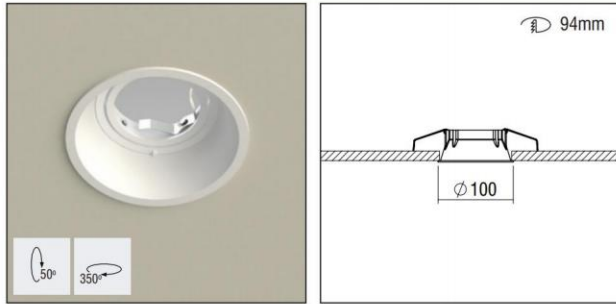
**For LED Version**

- Big range of aluminium reflector, lens, diffusers.
- Pure light without IR/UV radiation.
- 3W up to 7W wattage range and 300 up to 825 luminous flux range.
- Die cast aluminum heatsink anodized.
- Operation life: 50,000 hours with efficiency > 70% of the initial luminous flux.
- Connection for operation with Constant Current.

CORONA - CORONA Q

CORONA Fitting




CORONA Q Fitting



Code	Description	Kg
86894	CORONA	0,170

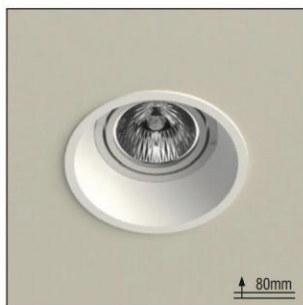
Code	Description	Kg
86895	CORONA Q	0,180

EXAMPLE

	CORONA		MODULE 50 DIMITRA 2 REFLECTOR HO		DRIVER 500mA 6W
<b>CODE</b>	<b>PIECE</b>	<b>CODE</b>	<b>PIECE</b>	<b>CODE</b>	<b>PIECE</b>
86894	1	80630	1	800024	1

CORONA + G5.3

G5.3 LAMPHOLDER



CE	F	850°C	IP 20
50°	350°	12.5mm	
OSRAM RECOMMEND BY PHILIPS MASTERLINE			

- Simple version for incandescent halogen max.50W 12V (QR-CBC 51).



Code	Description	Kg
808102	Lampholder G5,3	0,010

CORONA Q + GU10

GU10 LAMPHOLDER



CE	F	850°C	IP 20
50°	350°		
PAR 16	LED	FLUO	

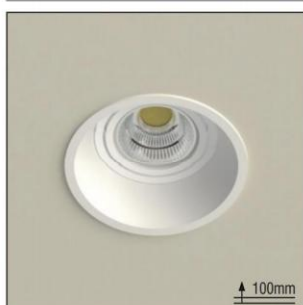
- Simple version for incandescent halogen max.50W 230V (PAR16).



Code	Description	Kg
808101	Lampholder GU10	0,010

CORONA + Module 50 IRA 2 Reflector

Module 50 IRA 2 Reflector



CE	F	850°C	IP 20
30°	0°	1-30mm	
LED	350/500mA	ta 25°C	

- Reflectors: 7W: Medium - Wide / 5W: Medium  
 - 5W power consumption driver at 500mA.  
 - 7W power consumption driven at 350mA.  
 - Efficiency: 5W: 4000 K: 419 Lumen, CRI: min. 80  
 5W: 3000 K: 419 Lumen, CRI: min. 80  
 7W: 4000 K: 825 Lumen, CRI: min. 80  
 7W: 3000 K: 720 Lumen, CRI: min. 80  
 Maximum: 118 Lm/W

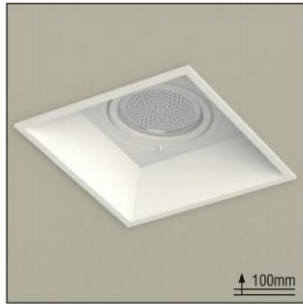


Code	Description	Kg
80644	Module 50 IRA 2 5W Reflector	0,120
80629	Module 50 IRA 2 7W Reflector	0,120

CORONA - CORONA Q

CORONA Q + Module 50 DIMITRA 2 Reflector HO

Module 50 DIMITRA 2 Reflector HO



CE	F	850°C	IP 40
50°	350°		
LED	5 YEAR WARRANTY	ta 25°C	500mA

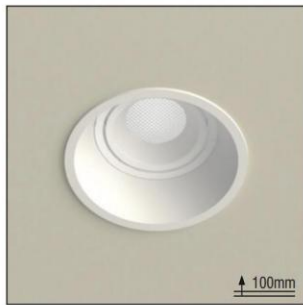
- Reflectors: Spot, Medium, Wide.
- 5W power consumption driven at 500mA.
- Efficiency:
  - 5W: 4000 K: 419 Lumen, CRI: min. 80
  - 5W: 3000 K: 419 Lumen, CRI: min. 80
  - Maximum: 84 Lm/W

Code	Description	Kg
80630	Module 50 DIMITRA 2 5W Reflector HO	0,150



CORONA + Module 50 ARTEMIS 2 Diffuser Prismatic

Module 50 ARTEMIS 2 Diffuser Prismatic



CE	F	850°C	IP 40
50°	350°		
LED	5 YEAR WARRANTY	ta 25°C	350/500mA

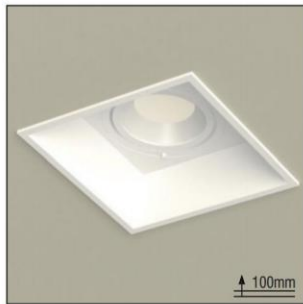
- Beam: Diffuser.
- 5W power consumption driven at 500mA.
- 7W power consumption driven at 350mA.
- Efficiency:
  - 5W: 4000 K: 419 Lumen, CRI: min. 80
  - 5W: 3000 K: 419 Lumen, CRI: min. 80
  - 7W: 4000 K: 825 Lumen, CRI: min. 80
  - 7W: 3000 K: 720 Lumen, CRI: min. 80
  - Maximum: 118 Lm/W

Code	Description	Kg
80631	Module 50 ARTEMIS 2 5W Diffuser Prismatic	0,150
80632	Module 50 ARTEMIS 2 7W Diffuser Prismatic	0,150



CORONA Q + Module 50 ATHINA 2 Diffuser Opal

Module 50 ATHINA 2 Diffuser Opal



CE	F	850°C	IP 40
50°	350°		
LED	5 YEAR WARRANTY	ta 25°C	350/500mA

- Beam: Diffuser.
- 5W power consumption driven at 500mA.
- 7W power consumption driven at 350mA.
- Efficiency:
  - 5W: 4000 K: 419 Lumen, CRI: min. 80
  - 5W: 3000 K: 419 Lumen, CRI: min. 80
  - 7W: 4000 K: 825 Lumen, CRI: min. 80
  - 7W: 3000 K: 720 Lumen, CRI: min. 80
  - Maximum: 118 Lm/W

Code	Description	Kg
80633	Module 50 ATHINA 2 5W Diffuser Opal	0,150
80634	Module 50 ATHINA 2 7W Diffuser Opal	0,150



CORONA + Module 50 VENUS 2 Lens

Module 50 VENUS 2 Lens



CE	F	850°C	IP 40
50°	350°		
LED	5 YEAR WARRANTY	ta 25°C	350/700mA

- Lens: Spot, Medium, Wide.
- 3W power consumption driven at 350mA.
- 6W power consumption driven at 700mA.
- Efficiency:
  - 3W: 4000 K: 321 Lumen, CRI: min. 75
  - 3W: 3000 K: 300 Lumen, CRI: min. 80
  - 6W: 4000 K: 600 Lumen, CRI: min. 75
  - 6W: 3000 K: 570 Lumen, CRI: min. 80
  - Maximum: 107 Lm/W

Code	Description	Kg
80635	Module 50 VENUS 2 3W/6W Lens	0,150



LED COLOUR CODES:

2 Warm 3 Neutral

BEAM CODES:

00 diffuser 01 spot 02 medium 03 wide

Colour Codes:

0 Colours 1 White 2 Titan 3 Black 4 Chrome 5 matt Alum.

CORONA - CORONA Q

CODES	MODULES	DRIVERS						
		350mA 8W	350mA 15W	350mA 25W	500mA 6W	500mA 16W	700mA 14W	700mA 30W
		70x35x21	120x35x19	125x79x22	70x35x21	115x45x27,5	158x21x18	156x50x33
		800020	800022	800041	800024	800031	800026	800032
80644	Module 50 IRA 2 Reflector 5W (500mA)				1 module	2 - 3 modules		
80629	Module 50 IRA 2 Reflector 7W (350mA)	1 module	1 - 2 modules	1 - 3 modules				
80630	Module 50 DIMITRA 2 Reflector HO 5W (500mA)				1 module	2 - 3 modules		
80631	Module 50 ARTEMIS 2 Diffuser Prismatic 5W (500mA)				1 module	2 - 3 modules		
80632	Module 50 ARTEMIS 2 Diffuser Prismatic 7W (350mA)	1 module	1 - 2 modules	1 - 3 modules				
80633	Module 50 ATHINA 2 Diffuser Opal 5W (500mA)				1 module	2 - 3 modules		
80634	Module 50 ATHINA 2 Diffuser Opal 7W (350mA)	1 module	1 - 2 modules	1 - 3 modules				
80635	Module 50 VENUS 2 Lens 3W (350mA)	1 - 2 modules	3 - 4 modules					
80635	Module 50 VENUS 2 Lens 6W (700mA)						1 - 2 modules	3 - 4 modules

CODES	MODULES	DRIVERS DIMMER		
		350mA 15W 500mA 22W 700mA 30W	350mA 25W 500mA 35W 700mA 50W	350mA 25W 500mA 35W 700mA 50W
		145x40x28	125x79x22	125x79x22
		800040	800043*	800042*
80644	Module 50 IRA 2 Reflector 5W (500mA)	3 - 4 modules	2 - 6 modules	2 - 6 modules
80629	Module 50 IRA 2 Reflector 7W (350mA)	1 - 2 modules	1 - 3 modules	1 - 3 modules
80630	Module 50 DIMITRA 2 Reflector HO 5W (500mA)	3 - 4 modules	2 - 6 modules	2 - 6 modules
80631	Module 50 ARTEMIS 2 Diffuser Prismatic 5W (500mA)	3 - 4 modules	2 - 6 modules	2 - 6 modules
80632	Module 50 ARTEMIS 2 Diffuser Prismatic 7W (350mA)	1 - 2 modules	1 - 3 modules	1 - 3 modules
80633	Module 50 ATHINA 2 Diffuser Opal 5W (500mA)	3 - 4 modules	2 - 6 modules	2 - 6 modules
80634	Module 50 ATHINA 2 Diffuser Opal 7W (350mA)	1 - 2 modules	1 - 3 modules	1 - 3 modules
80635	Module 50 VENUS 2 Lens 3W (350mA)	2 - 4 modules	2 - 7 modules	2 - 7 modules
80635	Module 50 VENUS 2 Lens 6W (700mA)	2 - 4 modules	2 - 7 modules	2 - 7 modules

12V TRANSFORMERS		
Modules CODES	MODULES	Transf. CODES
806053	Module 50 G5,3 12V up to 70W	800006
806053	Module 50 G5,3 12V up to 105W	800007

Please order modules and drivers separately

\* Please order synchronization cable for each dimmer driver separately - Code: 800044 (4m)