

AXIO

AXIO



CE F IP 20

40° 0° 1-9mm

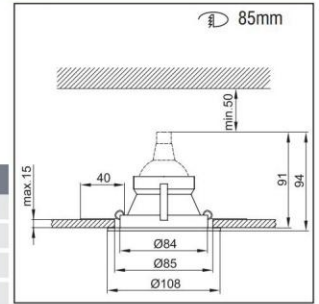
OSRAM HALOSTAR PHILIPS CAPSULELINE OSRAM DECOSTAR S1 PHILIPS MASTERLINE

PAR 16 LED

FLUO

- Simple version for incandescent halogen max.50W.
- Steel body.
- Reflector from matt aluminium.

Code	Description	Colour	Kg
88601	1x max.50W G5,3 / GU10	white	0,080
808101	Lampholder GU10		0,010
808102	Lampholder G5,3		0,010



Colour Codes:

- 0 Colours 1 White 2 Titan 3 Black

12V TRANSFORMERS

DESCRIPTION	CODES
ELECTRONIC 70W	800006
ELECTRONIC 105W	800007

QUADRO 89

QUADRO 89



CE F IP 33

0° 0° 1-9mm

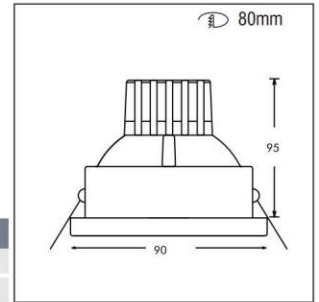
OSRAM HALOSTAR PHILIPS CAPSULELINE OSRAM DECOSTAR S1 PHILIPS MASTERLINE

PAR 16

FLUO

- Simple version for incandescent halogen max.50W.
- Steel body.
- Reflector from matt aluminium.

Code	Description	Kg
88118	Quadro 89 1x20W or 35W HIT-TC-CE / GU6.5	
88119	Quadro 89 1x50W PAR16 / GU10	



Colour Codes:

- 0 Colours 1 White 2 Titan 3 Black 4 Chrome 5 matt Alum.

SCUBA

SCUBA



CE F IP 20 54

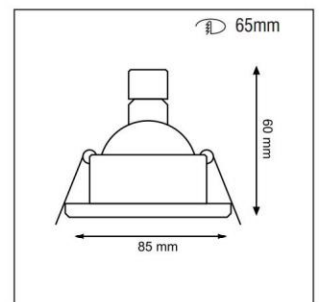
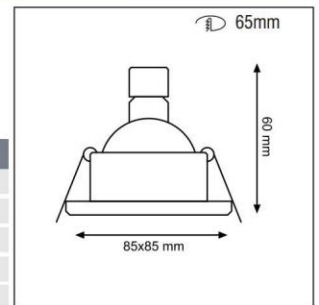
OSRAM HALOSTAR PHILIPS CAPSULELINE OSRAM DECOSTAR S1 PHILIPS MASTERLINE

PAR 16 LED

FLUO

- Simple version for incandescent halogen max.50W.
- Body from die-cast aluminium.
- Silicone gaskets.
- Tempered satin glass.

Code	Description	Kg
88123	Scuba Square 1x max.50W / GU5,3	
88124	Scuba Square 1x max.50W / GU10	
88126	Scuba Round 1x max.50W / GU5,3	
88127	Scuba Round 1x max.50W / GU10	



Colour Codes:

- 1 White 4 Chrome 5 matt Alum.

AXIO

