

YES



Technical Features

- Luminaires for mercury vapor lamps (HME), metal halide lamps (HIE), high pressure sodium lamps (HSE), self-ballasted lamps.
 - Steel body, painted electrostatically in white colour (upon request in selected colour). The perimeter has wide cooling fins for dissipation of the heat that is developed in the control gear area.
 - Transparent prismatic reflector, from PMMA plastic for direct/indirect light distribution **or**
 - Reflector from specular anodised aluminum (smooth: **TECH, C** or ribbed: **RIG**).
 - Lampholder E27 or E40 made of porcelain.
 - Input of the power cable through cable gland type PG 13,5.
 - Mounted to the ceiling with a hook. Suspended with chain or cord.
- Connection for operation on 230V-50Hz with conventional control gear and power factor correction capacitor.

Note: At the **YES SAVE** luminaires, the auxiliary halogen lamp 100W QT32 switches on from the beginning of the ignition and till the main lamp (HME or HSE or HIE) reaches it's full luminous efficiency.

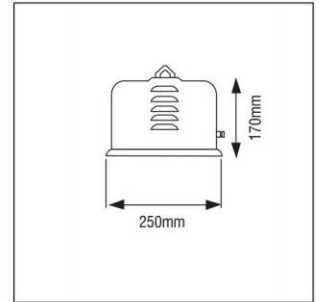
HIGH BAY - PROFESSIONAL

YES

YES - Body



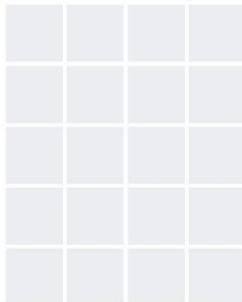
CE	F	IP 20
HME/E40 OSRAM: HQL PHILIPS: WFL	HSE/E40 OSRAM: SAV-E PHILIPS: SCH	HIE/E40 OSRAM: HQI-ERD PHILIPS: HPI PLUS BU
QB OSRAM: PHL PHILIPS: HL		



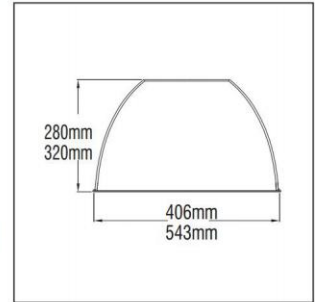
Description	Without Control Gear Code	Conventional Ballast and capacitor Code
For high pressure mercury vapour lamp		
YES 125 1x125W HME / E27		111032
YES 250 1x250W HME / E40		111042
YES 250 SAVE 1x250W HME / E40+1x100W QT32 / E27		115042
YES 400 1x400W HME / E40		111052
For high pressure sodium lamp		
YES 150 1x150W HSE / E40		111172
YES 251 1x250W HSE / E40		111182
YES 251 SAVE 1x250W HSE / E40+1x100W QT32 / E27		115182
YES 401 1x400W HSE / E40		111192
For metal halide lamp		
YES 150 1x150W HIE / E27		111082
YES 150 1x150W HIE / E40		111172
OSRAM HQI-E/NSI, PHILIPS HPI PLUS BU, SYLVANIA HSI-HX		
YES 250P 1x250W HIE / E40		111102
YES 400P SAVE 1x400W HIE / E40+1x100W QT32 / E27		115122
YES 400P 1x400W HIE / E40		111122
For self-ballasted lamp		
YES 160 1x160W QB / E27	111132	
YES 253 1x max.500W QB / E40	111142	

YES - REFLECTORS

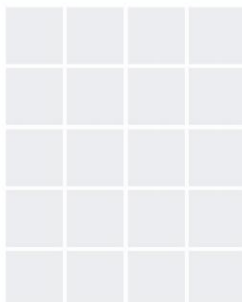
YES PRISMATIC



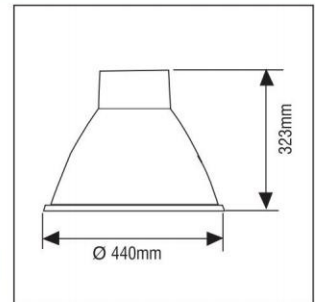
Code	Description
807107	PRISMATIC Ø406
807102	PRISMATIC Ø543



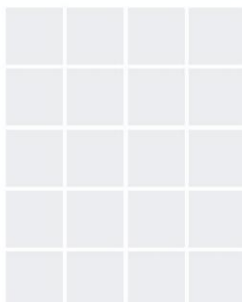
YES TECH



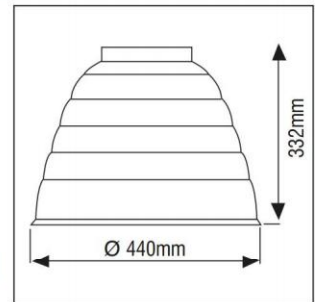
Code	Description
101105	TECH REFLECTOR



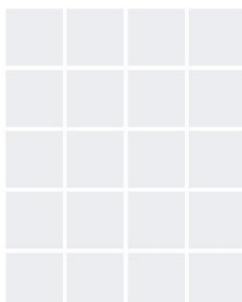
YES RIG



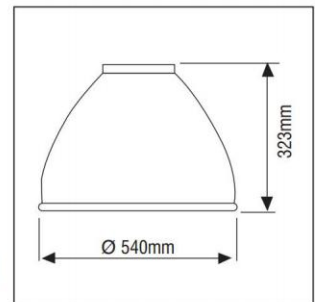
Code	Description
101104	RIG REFLECTOR



YES C



Code	Description
101103	C REFLECTOR



YES - ACCESSORIES

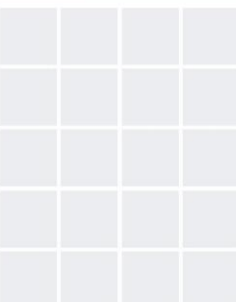
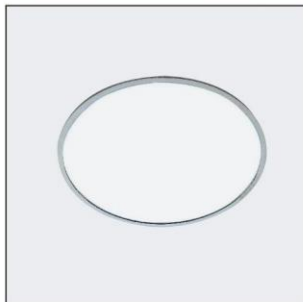
YES PRISMATIC - ACRYLIC PROTECTIVE COVER



- **Acrylic protective cover** modulated to the reflector by a metal collar.

Code	Description
101405	PRISMATIC DIFFUSER for Ø406
101406	PRISMATIC DIFFUSER for Ø543

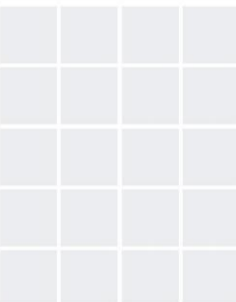
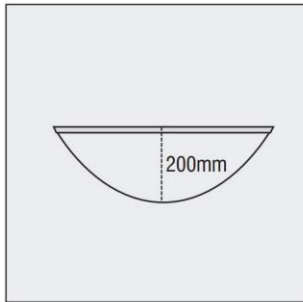
YES TECH / RIG / C - TEMPERED GLASS



- **Tempered glass** complete with stainless steel springs and silicon gasket. Recommended to use for metal halide lamps.

Code	Description
101203	TEMPERED GLASS TECH / RIG
101201	TEMPERED GLASS C

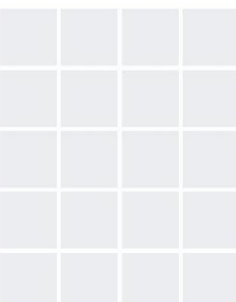
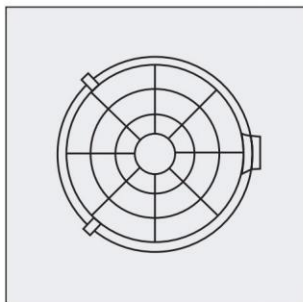
YES TECH / RIG / C - ACRYLIC COVER



- **Acrylic protection cover** with stainless steel springs and silicon gasket. Recommended to use in food industry.

Code	Description
101402	ACRYLIC COVER TECH / RIG
101401	ACRYLIC COVER C

YES TECH / RIG / C - GRILL



- **Grill**, zinc plated and steel coated in silver colour.

Code	Description
101303	GRILL TECH / RIG
101301	GRILL C