

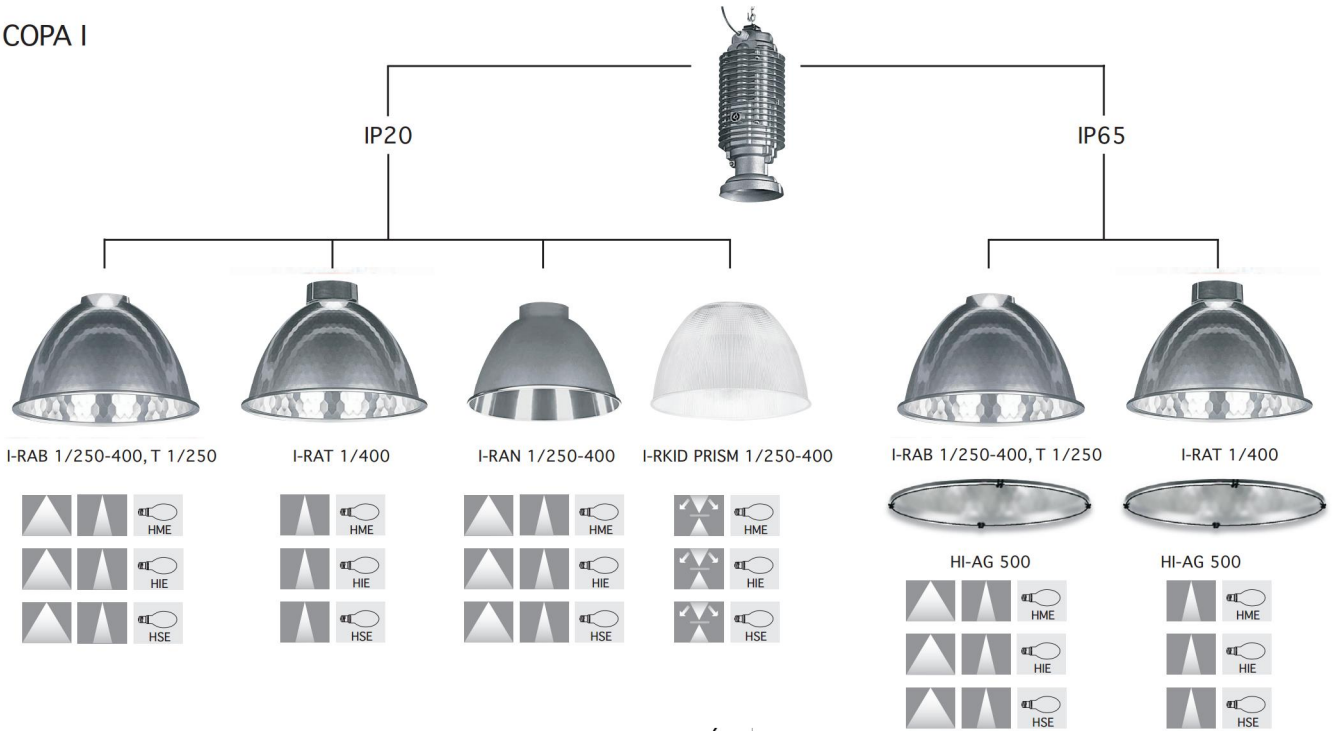
	PAGE
■ COPA	130
■ CABANA 79	142
■ YES	144
■ YES SHOW	148

COPA

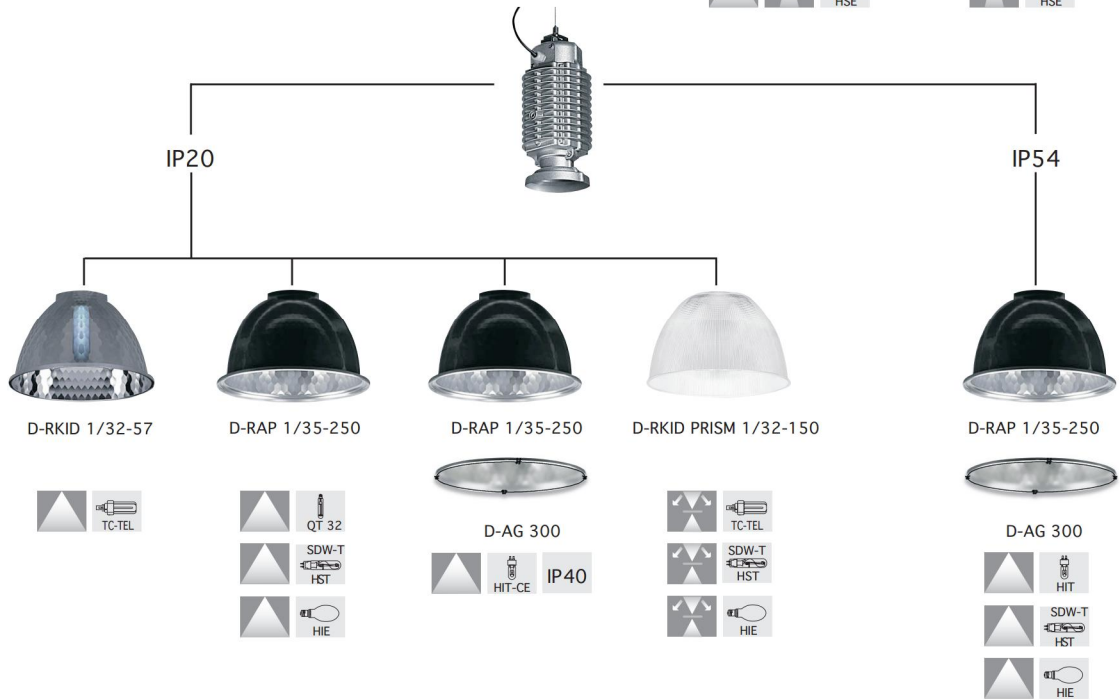


COPA

COPA I



COPA D



Gear Unit

Reflector

Luminaire



+



=



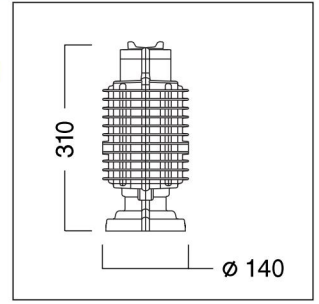
COPA D IP20

COPA D IP20 – Gear Unit



CE	F	ELC	IP 20
TC-TEL OSRAM DULUX T/E PHILIPS PL-C/1/HP	QT 32 OSRAM HALOQUE PHILIPS HALOQUE A	HIE OSRAM HIE HCE PHILIPS COM-ET	HIT-CE/G12 OSRAM HCS-T PHILIPS COM-T
HST/PG12-1 OSRAM PHILIPS OSW-T			

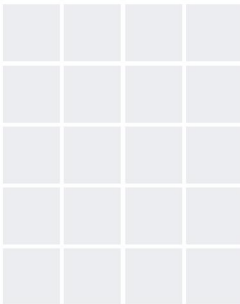
- Luminaires for fluorescent compact lamps (TC-TEL), metal halide lamps (HIE, HIT-CE), high pressure sodium lamps (HST, HSE), mercury lamps (HME) or incandescent halogen lamps 230V (QT32).
- Diecast aluminum body, untreated with fine texture. Improved heat dissipation due to peripheral fins.
- Input of the power cable through cable gland type PG 13,5.
- Individual suspension facility using chain, cord, pendant, wall bracket, or surface-mounting on ceiling.
- Connection for operation on 230V-50/60Hz with electronic ballast (lamp TC-TEL).
- Connection for operation on 230V-50Hz with conventional control gear and power factor correction capacitor. (lamps HIE, HIT-CE, HST, HME).



Description	Without Control Gear Code	Conventional Ballast and capacitor Code	Electronic Ballast Code
COPA D 1x 32W TC-TEL / GX24q-3			871121
COPA D 1x 42W TC-TEL / GX24q-4			871221
COPA D 1x 57W TC-TEL / GX24q-5			871321
COPA D 1x max.250W QT32 / E27	871491		
COPA D 1x 70W HIE / E27		871511	
COPA D 1x150W HIE / E27		871611	
COPA D 1x 70W HIT-CE / G12		871711	
COPA D 1x150W HIT-CE / G12		871811	
COPA D 1x100W HST / PG12-1		871911	

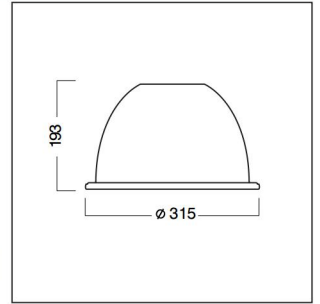
COPA D IP20 - REFLECTORS

COPA D RKID

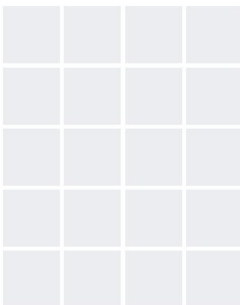


- Specular semi-translucent reflector, with faceted structure, made of aluminised polycarbonate (for TC-TEL compact lamps).

Code	Description	
807110	COPA D RKID	20968040

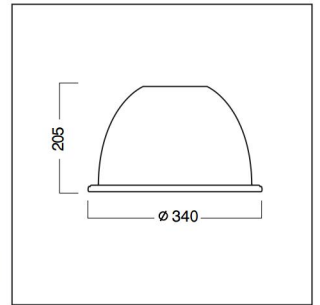


COPA D RAP

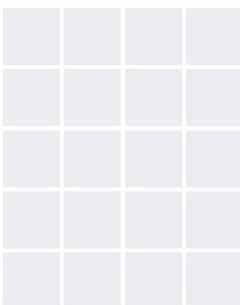


- Specular reflector, with faceted structure, made of anodised high purity aluminium (for QT32, HIE, HIT-CE, HST lamps).

Code	Description	
807105	COPA D RAP	20969367

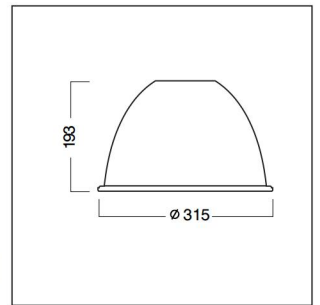


COPA D RAP



- Prismatic reflector made of PMMA, for direct/indirect light distribution (for TC-TEL, QT32, HIE, HIT-CE, HST lamps).
Please note: Not approved for 150W HIT-CE.

Code	Description	
807101	COPA D PRISMATIC Ø315	



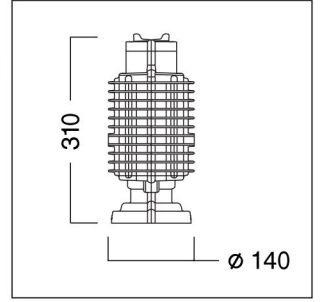
COPA D IP54

COPA D IP54 – Gear Unit



CE	F	RoHS	IP 54
HIT-CE/G12	HST/PG12-1		
OSRAM HCS-T PHILIPS COM-T	OSRAM - PHILIPS SOW-T		

- Luminaires for fluorescent compact lamps (TC-TEL), metal halide lamps (HIE, HIT-CE), high pressure sodium lamps (HST, HSE), mercury lamps (HME) or incandescent halogen lamps 230V (QT32).
- Diecast aluminum body, untreated with fine texture. Improved heat dissipation due to peripheral fins.
- Input of the power cable through cable gland type PG 13,5.
- Individual suspension facility using chain, cord, pendant, wall bracket, or surface-mounting on ceiling.
- Connection for operation on 230V-50/60Hz with electronic ballast (lamp TC-TEL).
- Connection for operation on 230V-50Hz with conventional control gear and power factor correction capacitor. (lamps HIE, HIT-CE, HST, HST, HME).



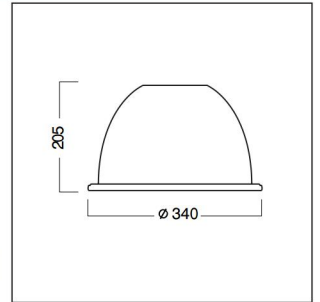
Code	Description
871712	COPA D IP54 1x 70W HIT-CE / G12
871812	COPA D IP54 1x150W HIT-CE / G12
871912	COPA D IP54 1x100W HST / PG12-1

COPA D IP54 - REFLECTORS

COPA D RAP



- Specular reflector, with faceted structure, made of anodised high purity aluminium (for QT32, HIE, HIT-CE, HST lamps).



Code	Description
807105	COPA D RAP 20969367

COPA



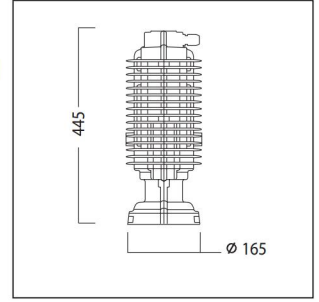
COPA I IP20

COPA I IP20 – Gear Unit



CE	F	ELC	IP 20
HME/E40 OSRAM: HQL PHILIPS: HPL	HSE/E40 OSRAM: HAV-E PHILIPS: SON	HIE OSRAM: HSE-HCE PHILIPS: COM-ET	

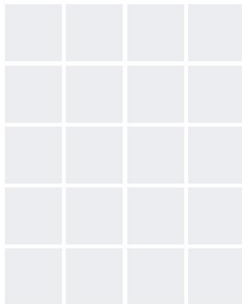
- Luminaires for fluorescent compact lamps (TC-TEL), metal halide lamps (HIE, HIT-CE), high pressure sodium lamps (HST, HSE), mercury lamps (HME) or incandescent halogen lamps 230V (QT32).
- Diecast aluminum body, untreated with fine texture. Improved heat dissipation due to peripheral fins.
- Input of the power cable through cable gland type PG 13,5.
- Individual suspension facility using chain, cord, pendant, wall bracket, or surface-mounting on ceiling.
- Connection for operation on 230V-50/60Hz with electronic ballast (lamp TC-TEL).
- Connection for operation on 230V-50Hz with conventional control gear and power factor correction capacitor. (lamps HIE, HIT-CE, HST, HST, HME).



Code	Description
For high pressure mercury vapour lamp	
872211	COPA I 250 1x250W HME / E40
872311	COPA I 400 1x400W HME / E40
For high pressure sodium lamp	
872411	COPA I 251 1x250W HSE / E40
872511	COPA I 401 1x400W HSE / E40
For metal halide lamp	
OSRAM HQI-E/NSI, PHILIPS HPI PLUS BU, SYLVANIA HSI-HX	
872811	COPA I 250P 1x250W HIE / E40
872911	COPA I 400P 1x400W HIE / E40

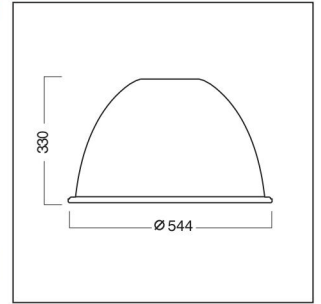
COPA I IP20 - REFLECTORS

COPA I RAB

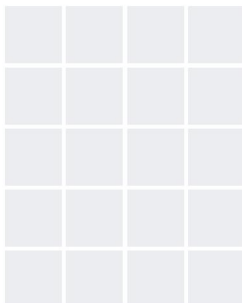


- Specular reflector with faceted structure, made of anodised high purity aluminium, with wide-angle distribution for 250/400W and narrow-beam distribution for 250W (if lampholder is adjusted on site).

Code	Description	
807103	COPA I RAB	20969348

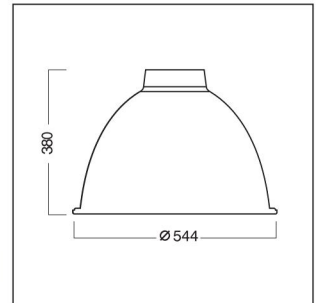


COPA I RAT

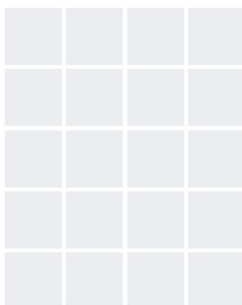


- Specular reflector, with faceted structure, made of anodised high purity aluminium with narrow-beam distribution for 400W.

Code	Description	
807106	COPA I RAT	20969354

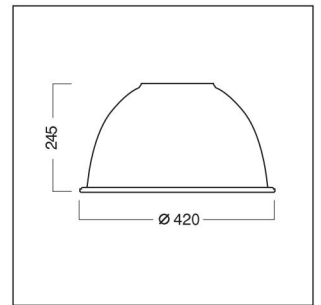


COPA I RAN

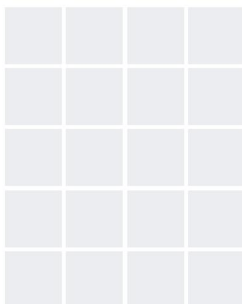


- Specular reflector made of pure aluminium with smooth surface. Wide-angle distribution for 250/400W and narrow-beam distribution for 250W (if lampholder is adjusted on site). Please note: Reflector only possible for open use (cover glass not possible)

Code	Description	
807104	COPA I RAN	20969423

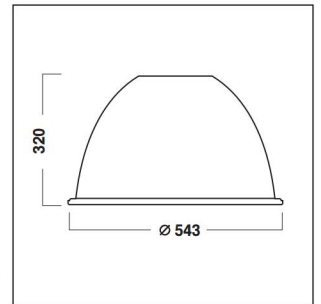


COPA I RKID PRISM



- Prismatic reflector made of PMMA with direct/indirect light distribution for 250/400W.

Code	Description	
807102	COPA I PRISMATIC Ø543	



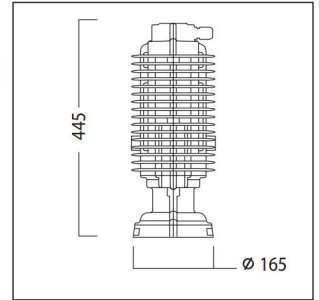
COPA I IP65

COPA I IP65 – Gear Unit



CE	F	IP 20
HME/E40 OSRAM: HQL PHILIPS: HPL	HSE/E40 OSRAM: NAV-E PHILIPS: SON	HIE OSRAM: HQI-E, HCE PHILIPS: COM-ET

- Luminaires for fluorescent compact lamps (TC-TEL), metal halide lamps (HIE, HIT-CE), high pressure sodium lamps (HST, HSE), mercury lamps (HME) or incandescent halogen lamps 230V (QT32).
- Diecast aluminum body, untreated with fine texture. Improved heat dissipation due to peripheral fins.
- Input of the power cable through cable gland type PG 13,5.
- Individual suspension facility using chain, cord, pendant, wall bracket, or surface-mounting on ceiling.
- Connection for operation on 230V-50/60Hz with electronic ballast (lamp TC-TEL).
- Connection for operation on 230V-50Hz with conventional control gear and power factor correction capacitor. (lamps HIE, HIT-CE, HST, HST, HME).



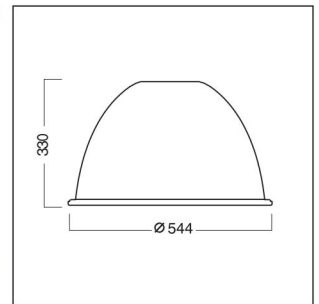
Code	Description
For high pressure mercury vapour lamp	
872212	COPA I 250 IP65 1x250W HME / E40
872312	COPA I 400 IP65 1x400W HME / E40
For high pressure sodium lamp	
872412	COPA I 251 IP65 1x250W HSE ή HIE / E40
872512	COPA I 401 IP65 1x400W HSE / E40
For metal halide lamp	
OSRAM HQI-E/NSI, PHILIPS HPI PLUS BU, SYLVANIA HSI-HX	
872812	COPA I 250P IP65 1x250W HIE / E40
872912	COPA I 400P IP65 1x400W HIE / E40

COPA I IP65 - REFLECTORS

COPA I RAB



- Specular reflector with faceted structure, made of anodised high purity aluminium, with wide-angle distribution for 250/400W and narrow-beam distribution for 250W (if lampholder is adjusted on site).

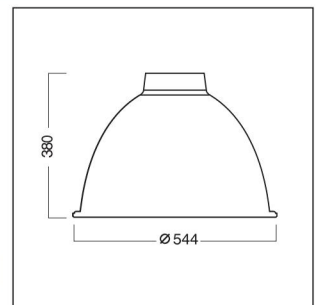


Code	Description
807103	COPA I RAB 20969348

COPA I RAT



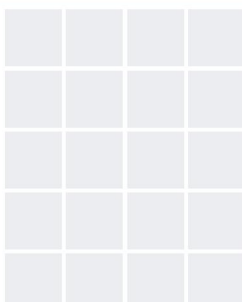
- Specular reflector, with faceted structure, made of anodised high purity aluminium with narrow-beam distribution for 400W.



Code	Description
807106	COPA I RAT 20969354

COPA I / COPA D - ACCESSORIES

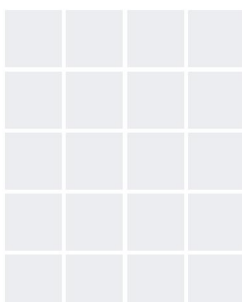
ZAD



- Ceiling bracket.

Code	Description
ZS 20350658	ZAD 20350658

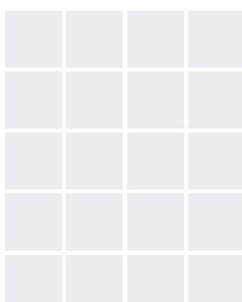
ZAR



- Chain suspension assembly without chain.

Code	Description
ZS 20969635	ZAR 20969635

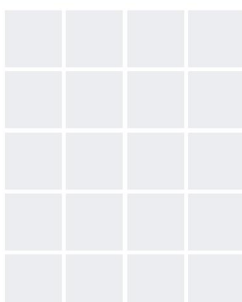
ZAKK



- Knotted chain.

Code	Description
605105	ZAKK

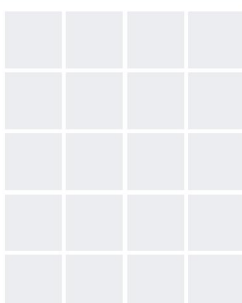
ASI



- Cord suspension.

Code	Description	Length
ZS 20350588	ASI 1000 O-L 20350588	1000mm
ZS 20350605	ASI 2000 O-L 20350605	2000mm
ZS 20936702	ASI 4000 O-L 20936702	4000mm

API

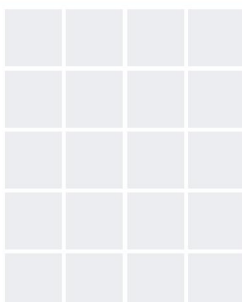


- Pendant suspension.
- Silver colour.

Code	Description	Length
ZS 20934969	API 500 E-L 20934969	500mm
ZS 20934975	API 1000 E-L 20934975	1000mm
ZS 20934981	API 1500 E-L 20934981	1500mm
ZS 20934997	API 2000 E-L 20934997	2000mm

COPA I / COPA D - ACCESSORIES

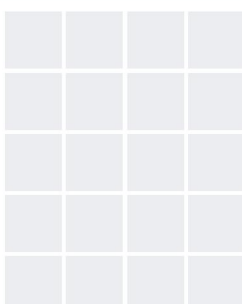
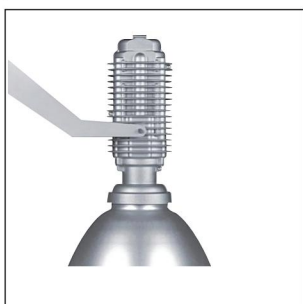
PRO-BALDACHIN



- Feed-in ceiling rose.

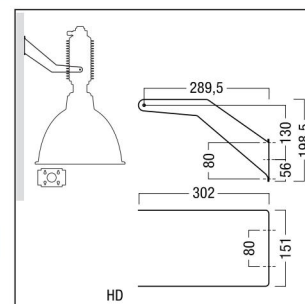
Code	Description
ZS 20668728	PRO-BALDACHIN 20668728

D-WA & I-WA

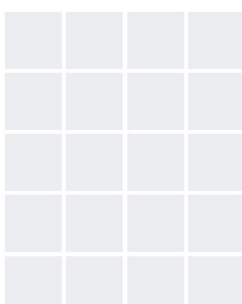


- Wall bracket.

Code	Description
ZS 20968196	D-WA 20968196 wall bracket for COPA D
ZS 20968180	I-WA 20968180 wall bracket for COPA I



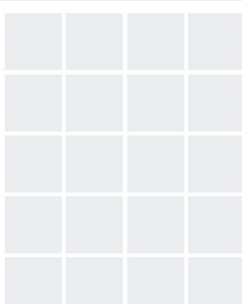
D AG & I AG



- **Glass cover:** When using high-pressure lamps the use of a glass cover is recommended.

Code	Description
ZS 20969445	COPA D AG 300 20969445 glass cover COPA D
ZS 20969439	COPA I AG 300 20969439 glass cover COPA I

D ABD & I ABD



- Plastic diffuser made of PMMA for COPA D
 - **Please note:** only approved for use with TC-TELI 42/57 W.

Code	Description
ZS 22157544	D ABD 312 22157544

COPA



CABANA 79



Technical Features

- Luminaires for fluorescent compact lamps (TC-D) or incandescent halogen lamps 230V (QT32).
- Aluminum body, painted electrostatically in titan colour (upon request: blue, red, green).
- Transparent prismatic reflector, from plastic PMMA for direct / indirect light distribution **or**
- Reflector from specular anodized aluminium (smooth: for lamps 160W & 2x26W or ribbed: for lamp 250W)
- Mounted to the ceiling with a hook. Suspended with chain or cord.
- Connection for operation on 230V-50Hz with conventional ballast and power factor correction capacitor (lamp TC-D).

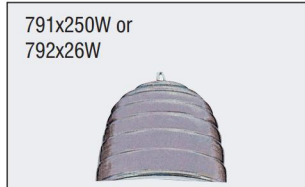
HIGH BAY - PROFESSIONAL

CABANA 79

CABANA 79 - Body

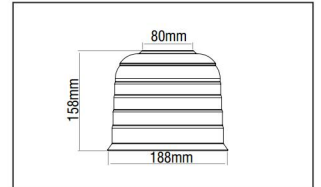
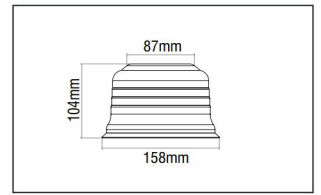


791x160W



791x250W or
792x26W

CE	F	IP 20
QT 32	TC-D	
OSRAM HALOGEN PHILIPS HALOGEN R	OSRAM DULUX D PHILIPS PL-C	



Description	Without Control Gear Code	Conventional Ballast and capacitor Code
791x160 1x max. 100W QT32 / E27 for ALUM. REFL. Ø360mm or PRISMATIC PLASTIC REFL. Ø315	11419	
791x250 1x max. 250W QT32 / E27 for ALUM. REFL. Ø440mm or PRISMATIC PLASTIC REFL. Ø406	11429	
792x26 2x26W TC-D / G24d-3 for ALUM. REFL. Ø360mm		11432

Colour Codes:

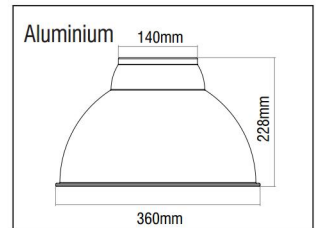
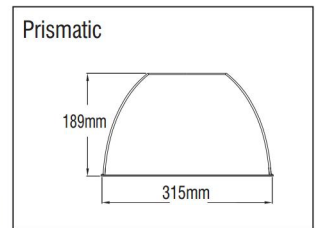
0 Colours 1 White 2 Titan 9 Anodized

CABANA 791x160 & 792x26 - REFLECTORS



- Prismatic reflector made of PMMA for direct/indirect light distribution.
- Smooth anodized aluminium reflector.

Code	Description
101101	SMOOTH REFLECTOR Ø360mm
807101	PRISMATIC REFLECTOR Ø315 (only for CABANA 791)
807109	PRISMATIC REFLECTOR Ø315 (only for CABANA 792)

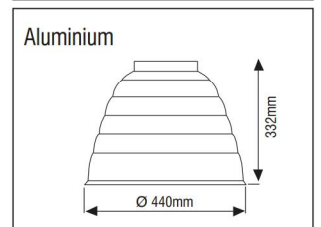
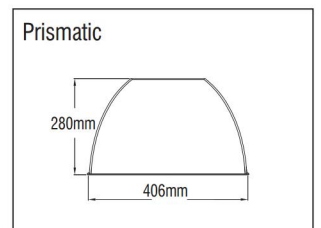


CABANA 791x250 - REFLECTORS



- Prismatic reflector made of PMMA for direct/indirect light distribution.
- Smooth ribbed aluminium reflector.

Code	Description
101104	RIBBED REFLECTOR Ø440mm
807107	PRISMATIC REFLECTOR Ø406



YES



Technical Features

- Luminaires for mercury vapor lamps (HME), metal halide lamps (HIE), high pressure sodium lamps (HSE), self-ballasted lamps.
 - Steel body, painted electrostatically in white colour (upon request in selected colour). The perimeter has wide cooling fins for dissipation of the heat that is developed in the control gear area.
 - Transparent prismatic reflector, from PMMA plastic for direct/indirect light distribution **or**
 - Reflector from specular anodised aluminum (smooth: **TECH, C** or ribbed: **RIG**).
 - Lampholder E27 or E40 made of porcelain.
 - Input of the power cable through cable gland type PG 13,5.
 - Mounted to the ceiling with a hook. Suspended with chain or cord.
- Connection for operation on 230V-50Hz with conventional control gear and power factor correction capacitor.

Note: At the **YES SAVE** luminaires, the auxiliary halogen lamp 100W QT32 switches on from the beginning of the ignition and till the main lamp (HME or HSE or HIE) reaches it's full luminous efficiency.

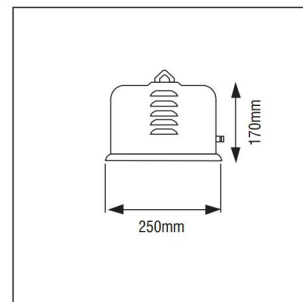
HIGH BAY - PROFESSIONAL

YES

YES - Body



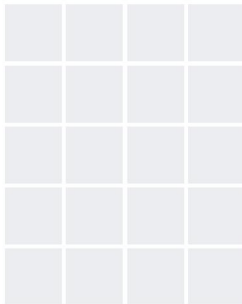
CE	F		IP 20
HME/E40 OSRAM: HQL PHILIPS: HPL	HSE/E40 OSRAM: NAV-E PHILIPS: SON	HIE/E40 OSRAM: HQ-E40 PHILIPS: HPI PLUS BU	QB OSRAM: PHL PHILIPS: HL



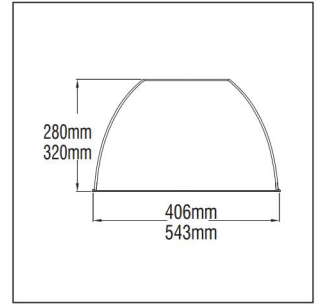
Description	Without Control Gear Code	Conventional Ballast and capacitor Code
For high pressure mercury vapour lamp		
YES 125 1x125W HME / E27		111032
YES 250 1x250W HME / E40		111042
YES 250 SAVE 1x250W HME / E40+1x100W QT32 / E27		115042
YES 400 1x400W HME / E40		111052
For high pressure sodium lamp		
YES 150 1x150W HSE / E40		111172
YES 251 1x250W HSE / E40		111182
YES 251 SAVE 1x250W HSE / E40+1x100W QT32 / E27		115182
YES 401 1x400W HSE / E40		111192
For metal halide lamp		
YES 150 1x150W HIE / E27		111082
YES 150 1x150W HIE / E40		111172
OSRAM HQI-E/NSI, PHILIPS HPI PLUS BU, SYLVANIA HSI-HX		
YES 250P 1x250W HIE / E40		111102
YES 400P SAVE 1x400W HIE / E40+1x100W QT32 / E27		115122
YES 400P 1x400W HIE / E40		111122
For self-ballasted lamp		
YES 160 1x160W QB / E27	111132	
YES 253 1x max.500W QB / E40	111142	

YES - REFLECTORS

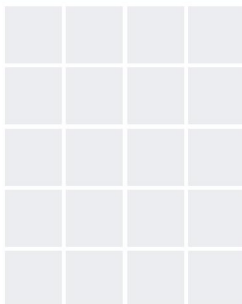
YES PRISMATIC



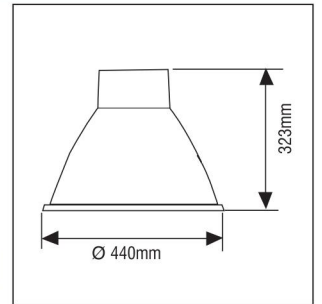
Code	Description
807107	PRISMATIC Ø406
807102	PRISMATIC Ø543



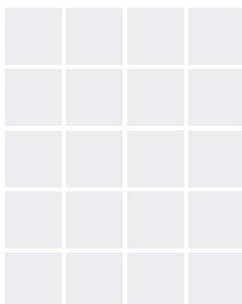
YES TECH



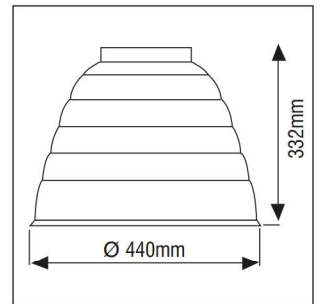
Code	Description
101105	TECH REFLECTOR



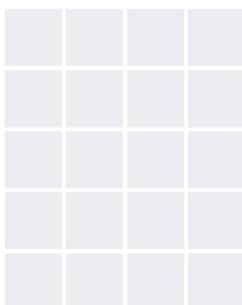
YES RIG



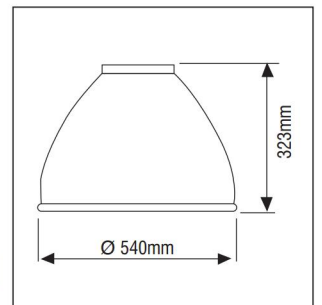
Code	Description
101104	RIG REFLECTOR



YES C

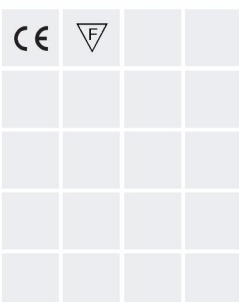


Code	Description
101103	C REFLECTOR



YES - ACCESSORIES

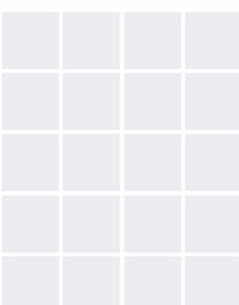
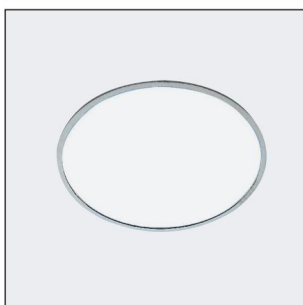
YES PRISMATIC - ACRYLIC PROTECTIVE COVER



- **Acrylic protective cover** modulated to the reflector by a metal collar.

Code	Description
101405	PRISMATIC DIFFUSER for Ø406
101406	PRISMATIC DIFFUSER for Ø543

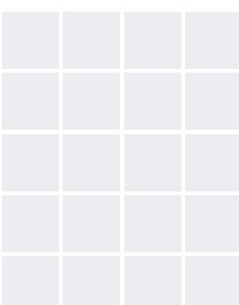
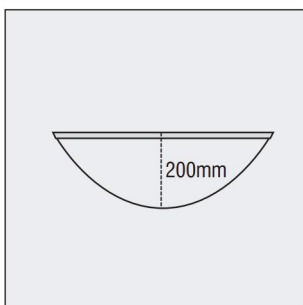
YES TECH / RIG / C - TEMPERED GLASS



- **Tempered glass** complete with stainless steel springs and silicon gasket. Recommended to use for metal halide lamps.

Code	Description
101203	TEMPERED GLASS TECH / RIG
101201	TEMPERED GLASS C

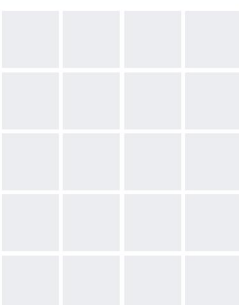
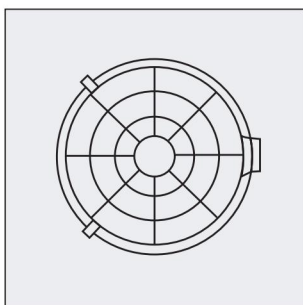
YES TECH / RIG / C - ACRYLIC COVER



- **Acrylic protection cover** with stainless steel springs and silicon gasket. Recommended to use in food industry.

Code	Description
101402	ACRYLIC COVER TECH / RIG
101401	ACRYLIC COVER C

YES TECH / RIG / C - GRILL



- **Grill**, zinc plated and steel coated in silver colour.

Code	Description
101303	GRILL TECH / RIG
101301	GRILL C

YES SHOW



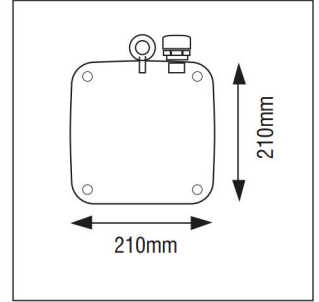
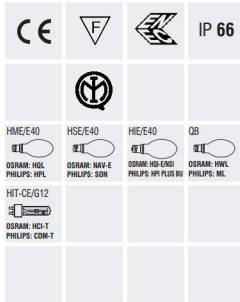
Technical Features

- Luminaires for mercury vapor lamps (HME), metal halide lamps (HIE, HIT-CE), high pressure sodium lamps (HSE), self-ballasted lamps.
- Steel body, painted electrostatically in silver colour. The perimeter has wide cooling fins for dissipation of the heat that is developed in the control gear area.
- Reflector from specular anodised aluminum (smooth: **TECH, C** or ribbed: **RIG**).
- Tempered protection glass, with seal rubber, adjusted to the reflector with steel clips **or** Acrylic protection cover, with seal rubber, adjusted to the reflector with steel clips.
Recommended for use in food industries.
- Lampholder E27, E40, G12 made of porcelain.
- Input of the power cable through cable gland type PG 13,5.
- Mounted to the ceiling with a hook. Suspended with chain or cord.
- Connection for operation on 230V-50Hz with conventional control gear and power factor correction capacitor.
- Connection for operation with electronic control gear (lamp HIT-CE).

HIGH BAY - PROFESSIONAL

YES SHOW

YES - Body

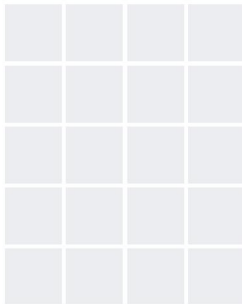


Description	Without Control Gear Code	Conventional Ballast and capacitor Code	Electronic Ballast Code
For high pressure mercury vapour lamp			
YES SHOW 125	1x125W HME / E27	112032	
YES SHOW 250	1x250W HME / E40	112042	
YES SHOW 400	1x400W HME / E40	112052	
For high pressure sodium lamp			
YES SHOW 150	1x150W HSE / E40	112172	
YES SHOW 251	1x250W HSE / E40	112182	
YES SHOW 401	1x400W HSE / E40	112192	
For metal halide lamp			
YES SHOW 150	1x150W HIT-CE / G12	112222	112223
YES SHOW 150	1x150W HIE / E27	112082	
YES SHOW 150	1x150W HIE / E40	112172	
OSRAM HQI-E/NSI, PHILIPS HPI PLUS BU, SYLVANIA HSI-HX			
YES SHOW 250P	1x250W HIE / E40	112102	
YES SHOW 400P	1x400W HIE / E40	112122	
For self-ballasted lamp			
YES SHOW 500	1x500W QB / E40	112149	

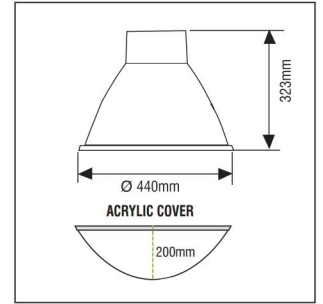


YES SHOW - REFLECTORS

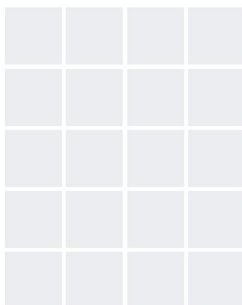
YES SHOW TECH



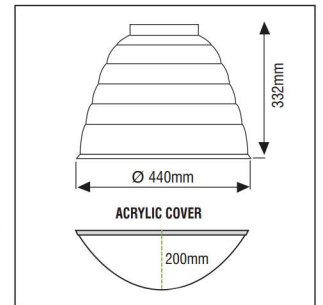
Code	Description
101501	REFLECTOR + GLASS TECH
101502	REFLECTOR + ACRYLIC COVER TECH



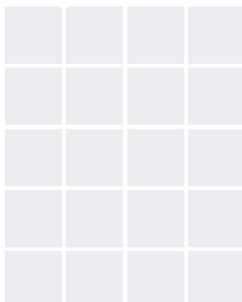
YES SHOW RIG



Code	Description
101505	REFLECTOR + GLASS RIG
101506	REFLECTOR + ACRYLIC COVER RIG



YES SHOW C



Code	Description
101503	REFLECTOR + GLASS C
101504	REFLECTOR + ACRYLIC COVER C

