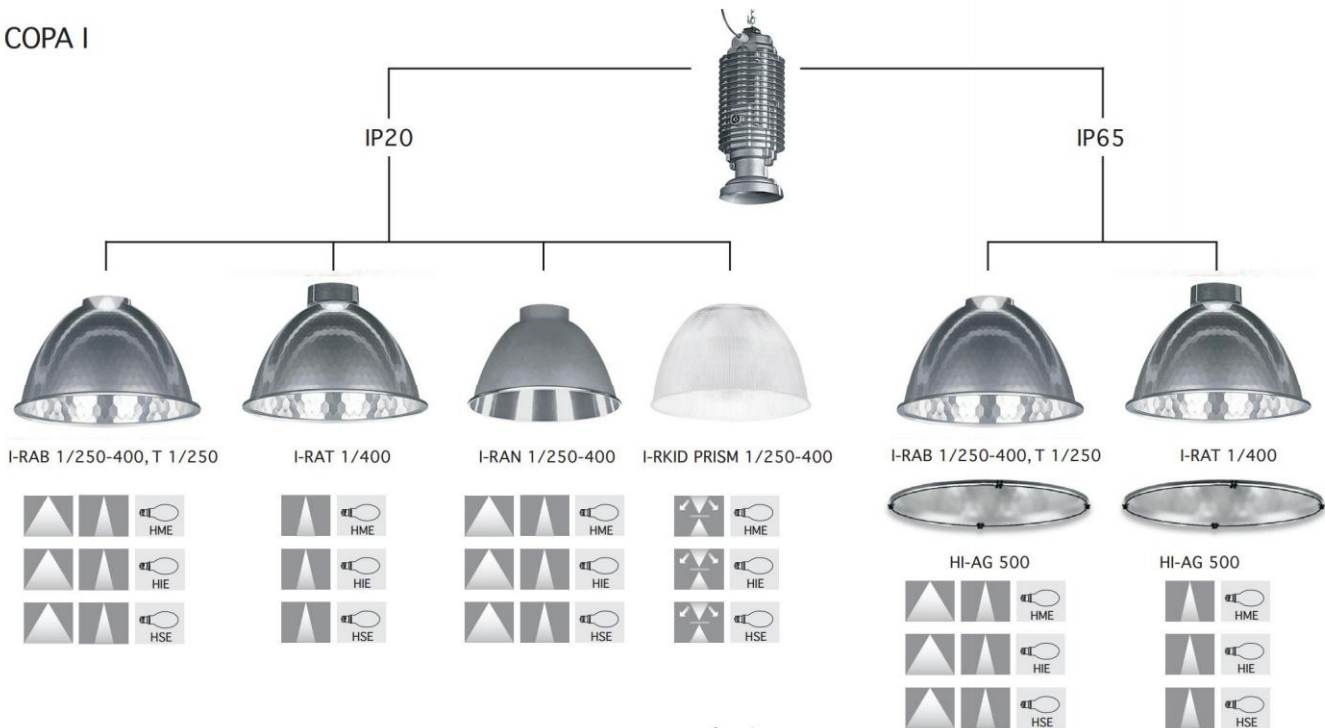


COPA

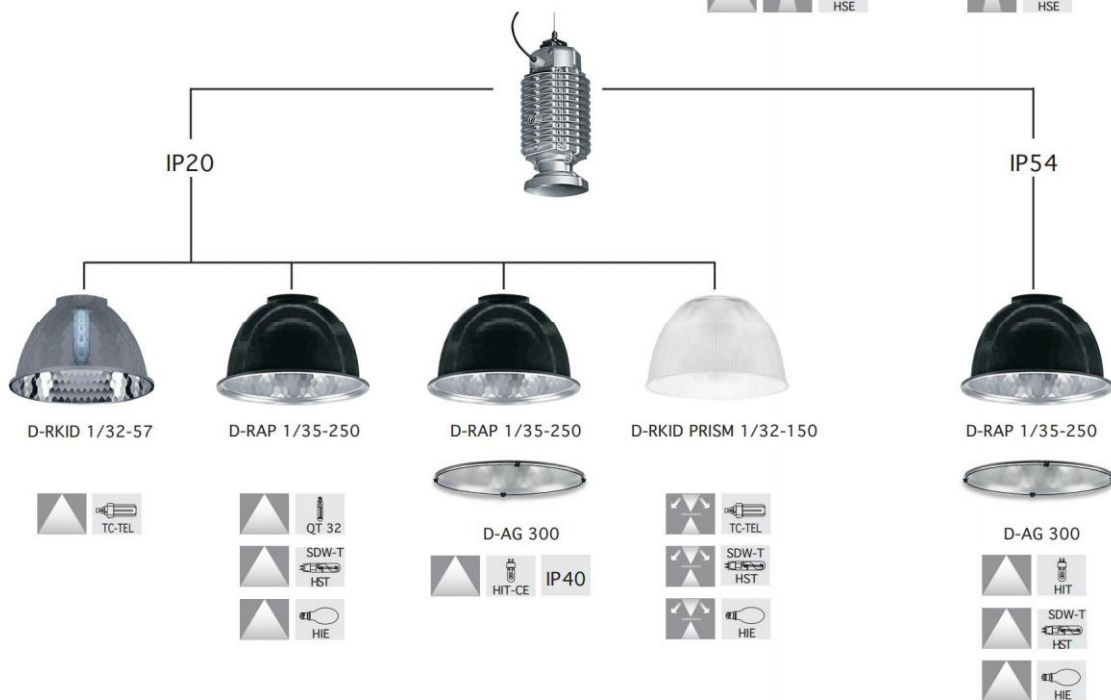


COPA

COPA I



COPA D



**Gear Unit**

**Reflector**

**Luminaire**



+



=





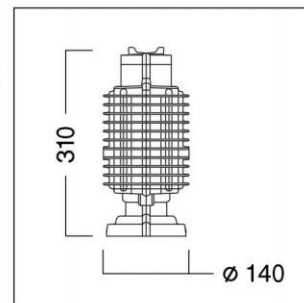
**COPA D IP20**

**COPA D IP20 – Gear Unit**



CE	F	IP 20
TC-TEL OSRAM DULUX T 8 PHILIPS PL 31/08	QT 32 OSRAM HALOJUX PHILIPS HALOGEN A	HIE OSRAM HIE E HCE PHILIPS COM 07
HST/PG12-1 OSRAM PHILIPS COM 7	HIT-CE/G12 OSRAM HIT-T PHILIPS COM 1	

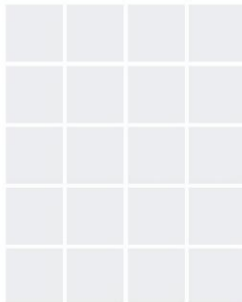
- Luminaires for fluorescent compact lamps (TC-TEL), metal halide lamps (HIE, HIT-CE), high pressure sodium lamps (HST, HSE), mercury lamps (HME) or incandescent halogen lamps 230V (QT32).
- Diecast aluminum body, untreated with fine texture.
- Improved heat dissipation due to peripheral fins.
- Input of the power cable through cable gland type PG 13,5.
- Individual suspension facility using chain, cord, pendant, wall bracket, or surface-mounting on ceiling.
- Connection for operation on 230V-50/60Hz with electronic ballast (lamp TC-TEL).
- Connection for operation on 230V-50Hz with conventional control gear and power factor correction capacitor. (lamps HIE, HIT-CE, HST, HSE, HME).



Description	Without Control Gear Code	Conventional Ballast and capacitor Code	Electronic Ballast Code
COPA D 1x 32W TC-TEL / GX24q-3			871121
COPA D 1x 42W TC-TEL / GX24q-4			871221
COPA D 1x 57W TC-TEL / GX24q-5			871321
COPA D 1x max.250W QT32 / E27	871491		
COPA D 1x 70W HIE / E27		871511	
COPA D 1x150W HIE / E27		871611	
COPA D 1x 70W HIT-CE / G12		871711	
COPA D 1x150W HIT-CE / G12		871811	
COPA D 1x100W HST / PG12-1		871911	

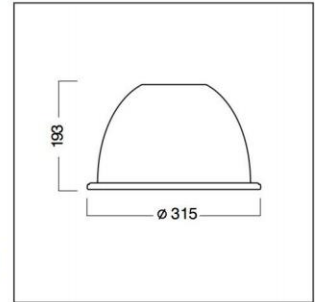
COPA D IP20 - REFLECTORS

COPA D RKID

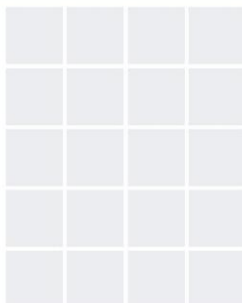


- Specular semi-translucent reflector, with faceted structure, made of aluminised polycarbonate (for TC-TEL compact lamps).

Code	Description	
807110	COPA D RKID	20968040

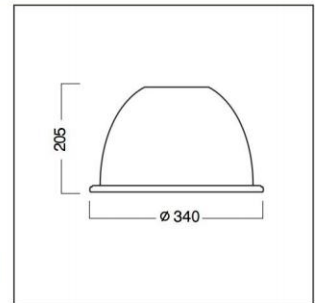


COPA D RAP

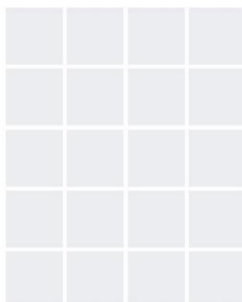


- Specular reflector, with faceted structure, made of anodised high purity aluminium (for QT32, HIE, HIT-CE, HST lamps).

Code	Description	
807105	COPA D RAP	20969367

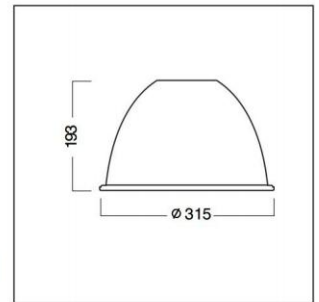


COPA D RAP



- Prismatic reflector made of PMMA, for direct/indirect light distribution (for TC-TEL, QT32, HIE, HIT-CE, HST lamps).  
**Please note:** Not approved for 150W HIT-CE.

Code	Description	
807101	COPA D PRISMATIC Ø315	



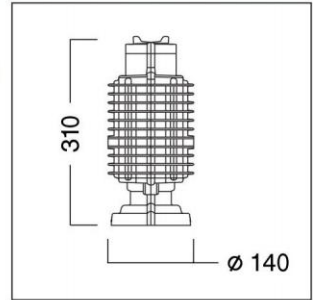
## HIGH BAY - PROFESSIONAL

### COPA D IP54

#### COPA D IP54 – Gear Unit



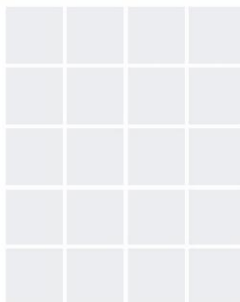
- Luminaires for fluorescent compact lamps (TC-TEL), metal halide lamps (HIE, HIT-CE), high pressure sodium lamps (HST, HSE), mercury lamps (HME) or incandescent halogen lamps 230V (QT32).
- Diecast aluminum body, untreated with fine texture. Improved heat dissipation due to peripheral fins.
- Input of the power cable through cable gland type PG 13,5.
- Individual suspension facility using chain, cord, pendant, wall bracket, or surface-mounting on ceiling.
- Connection for operation on 230V-50/60Hz with electronic ballast (lamp TC-TEL).
- Connection for operation on 230V-50Hz with conventional control gear and power factor correction capacitor. (lamps HIE, HIT-CE, HST, HST, HME).



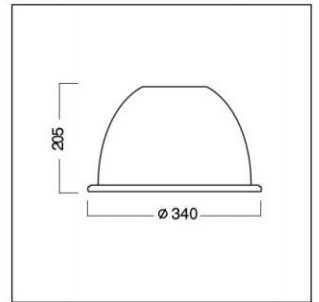
Code	Description
871712	COPA D IP54 1x 70W HIT-CE / G12
871812	COPA D IP54 1x150W HIT-CE / G12
871912	COPA D IP54 1x100W HST / PG12-1

### COPA D IP54 - REFLECTORS

#### COPA D RAP



- Specular reflector, with faceted structure, made of anodised high purity aluminium (for QT32, HIE, HIT-CE, HST lamps).



Code	Description
807105	COPA D RAP 20969367



COPA



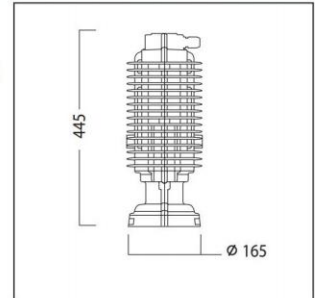
COPA I IP20

COPA I IP20 – Gear Unit



CE	F	ELC	IP 20
HME/E40 OSRAM: HQL PHILIPS: WFL	HSE/E40 OSRAM: HAV-E PHILIPS: SGR	HIE OSRAM: HQI-E, HSE-E PHILIPS: COM-ET	

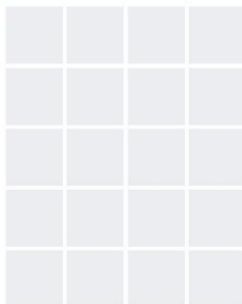
- Luminaires for fluorescent compact lamps (TC-TEL), metal halide lamps (HIE, HIT-CE), high pressure sodium lamps (HST, HSE), mercury lamps (HME) or incandescent halogen lamps 230V (QT32).
- Diecast aluminum body, untreated with fine texture. Improved heat dissipation due to peripheral fins.
- Input of the power cable through cable gland type PG 13,5.
- Individual suspension facility using chain, cord, pendant, wall bracket, or surface-mounting on ceiling.
- Connection for operation on 230V-50/60Hz with electronic ballast (lamp TC-TEL).
- Connection for operation on 230V-50Hz with conventional control gear and power factor correction capacitor. (lamps HIE, HIT-CE, HST, HST, HME).



Code	Description
<b>For high pressure mercury vapour lamp</b>	
872211	COPA I 250 1x250W HME / E40
872311	COPA I 400 1x400W HME / E40
<b>For high pressure sodium lamp</b>	
872411	COPA I 251 1x250W HSE / E40
872511	COPA I 401 1x400W HSE / E40
<b>For metal halide lamp</b>	
OSRAM HQI-E/NSI, PHILIPS HPI PLUS BU, SYLVANIA HSI-HX	
872811	COPA I 250P 1x250W HIE / E40
872911	COPA I 400P 1x400W HIE / E40

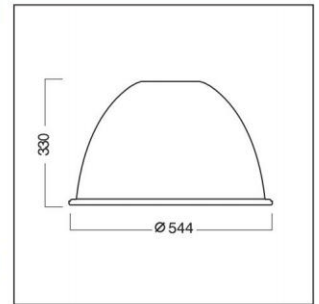
COPA I IP20 - REFLECTORS

COPA I RAB

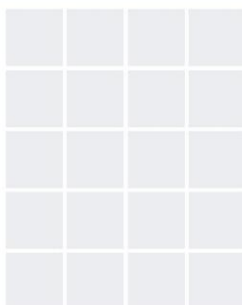


- Specular reflector with faceted structure, made of anodised high purity aluminium, with wide-angle distribution for 250/400W and narrow-beam distribution for 250W (if lampholder is adjusted on site).

Code	Description	
807103	COPA I RAB	20969348

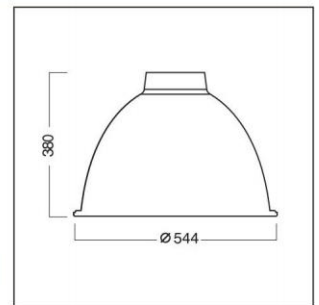


COPA I RAT

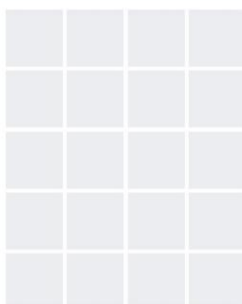


- Specular reflector, with faceted structure, made of anodised high purity aluminium with narrow-beam distribution for 400W.

Code	Description	
807106	COPA I RAT	20969354

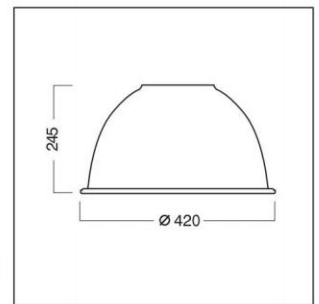


COPA I RAN

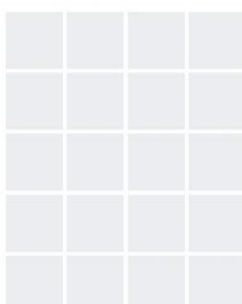


- Specular reflector made of pure aluminium with smooth surface. Wide-angle distribution for 250/400W and narrow-beam distribution for 250W (if lampholder is adjusted on site). Please note: Reflector only possible for open use (cover glass not possible)

Code	Description	
807104	COPA I RAN	20969423

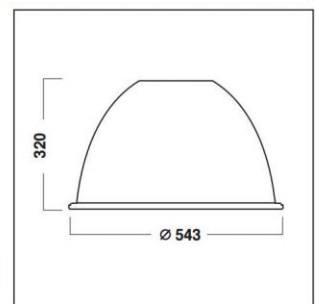


COPA I RKID PRISM



- Prismatic reflector made of PMMA with direct/indirect light distribution for 250/400W.

Code	Description	
807102	COPA I PRISMATIC Ø543	





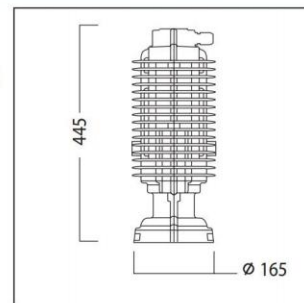
COPA I IP65

COPA I IP65 – Gear Unit



CE	F	IP 20
HME/E40 OSRAM: HCL PHILIPS: WFL	HSE/E40 OSRAM: HAV-E PHILIPS: SGR	HIE OSRAM: HQI-E, HSE-E PHILIPS: COM-ET

- Luminaires for fluorescent compact lamps (TC-TEL), metal halide lamps (HIE, HIT-CE), high pressure sodium lamps (HST, HSE), mercury lamps (HME) or incandescent halogen lamps 230V (QT32).
- Diecast aluminum body, untreated with fine texture. Improved heat dissipation due to peripheral fins.
- Input of the power cable through cable gland type PG 13,5.
- Individual suspension facility using chain, cord, pendant, wall bracket, or surface-mounting on ceiling.
- Connection for operation on 230V-50/60Hz with electronic ballast (lamp TC-TEL).
- Connection for operation on 230V-50Hz with conventional control gear and power factor correction capacitor. (lamps HIE, HIT-CE, HST, HST, HME).



Code	Description
<b>For high pressure mercury vapour lamp</b>	
872212	COPA I 250 IP65 1x250W HME / E40
872312	COPA I 400 IP65 1x400W HME / E40
<b>For high pressure sodium lamp</b>	
872412	COPA I 251 IP65 1x250W HSE η HIE / E40
872512	COPA I 401 IP65 1x400W HSE / E40
<b>For metal halide lamp</b>	
OSRAM HQI-E/NSI, PHILIPS HPI PLUS BU, SYLVANIA HSI-HX	
872812	COPA I 250P IP65 1x250W HIE / E40
872912	COPA I 400P IP65 1x400W HIE / E40

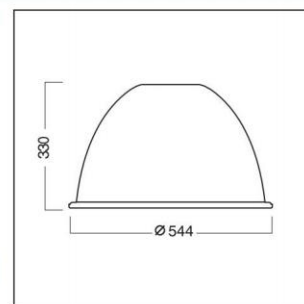
COPA I IP65 - REFLECTORS

COPA I RAB



--	--	--

- Specular reflector with faceted structure, made of anodised high purity aluminium, with wide-angle distribution for 250/400W and narrow-beam distribution for 250W (if lampholder is adjusted on site).



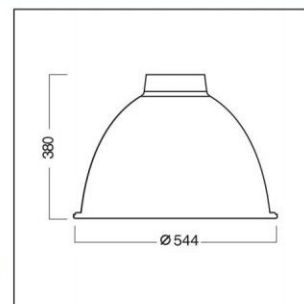
Code	Description
807103	COPA I RAB 20969348

COPA I RAT



--	--	--

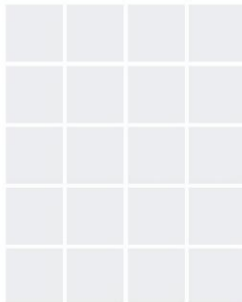
- Specular reflector, with faceted structure, made of anodised high purity aluminium with narrow-beam distribution for 400W.



Code	Description
807106	COPA I RAT 20969354

**COPA I / COPA D - ACCESSORIES**

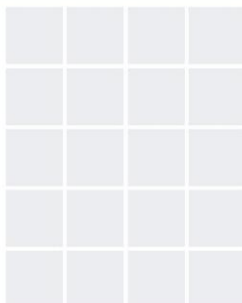
**ZAD**



- Ceiling bracket.

Code	Description
ZS 20350658	ZAD 20350658

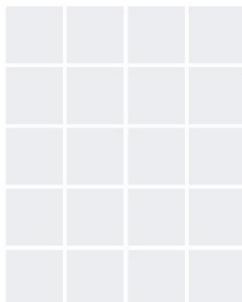
**ZAR**



- Chain suspension assembly without chain.

Code	Description
ZS 20969635	ZAR 20969635

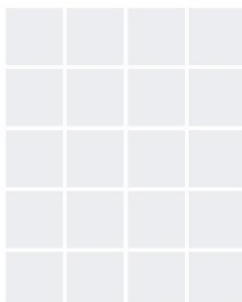
**ZAKK**



- Knotted chain.

Code	Description
605105	ZAKK

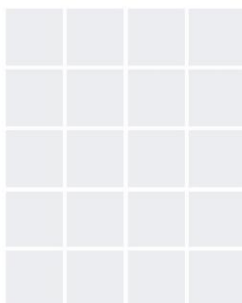
**ASI**



- Cord suspension.

Code	Description	Length
ZS 20350588	ASI 1000 O-L 20350588	1000mm
ZS 20350605	ASI 2000 O-L 20350605	2000mm
ZS 20936702	ASI 4000 O-L 20936702	4000mm

**API**

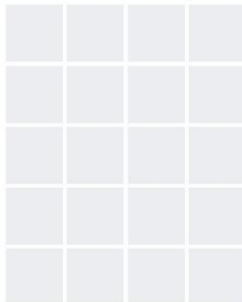


- Pendant suspension.  
- Silver colour.

Code	Description	Length
ZS 20934969	API 500 E-L 20934969	500mm
ZS 20934975	API 1000 E-L 20934975	1000mm
ZS 20934981	API 1500 E-L 20934981	1500mm
ZS 20934997	API 2000 E-L 20934997	2000mm

COPA I / COPA D - ACCESSORIES

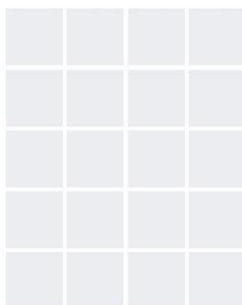
PRO-BALDACHIN



- Feed-in ceiling rose.

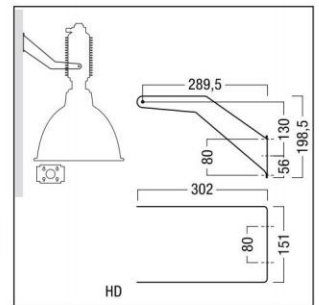
Code	Description
ZS 20668728	PRO-BALDACHIN 20668728

D-WA & I-WA

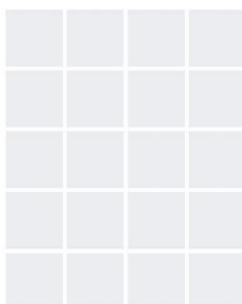


- Wall bracket.

Code	Description
ZS 20968196	D-WA 20968196 wall bracket for COPA D
ZS 20968180	I-WA 20968180 wall bracket for COPA I



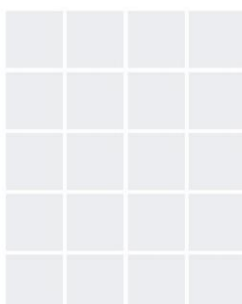
D AG & I AG



- **Glass cover:** When using high-pressure lamps the use of a glass cover is recommended.

Code	Description
ZS 20969445	COPA D AG 300 20969445 glass cover COPA D
ZS 20969439	COPA I AG 300 20969439 glass cover COPA I

D ABD & I ABD



- Plastic diffuser made of PMMA for COPA D  
 - **Please note:** only approved for use with TC-TELI 42/57 W.

Code	Description
ZS 22157544	D ABD 312 22157544



COPA

