

MACH 5

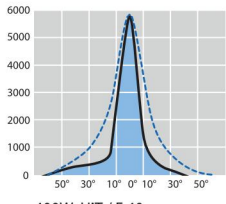
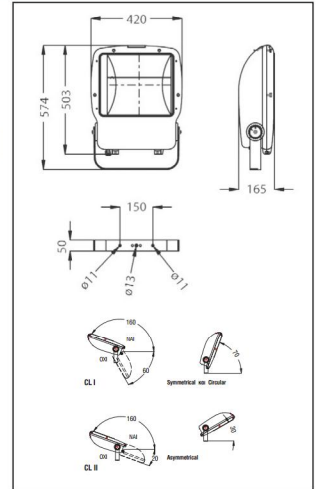
MACH 5 - Circular



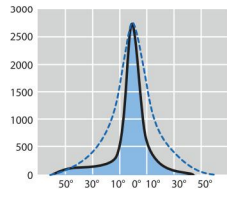
CE	F	ELC	IP 66
HIT	HST		
OSRAM HQI-T/NSI PHILIPS HPI-T PLUS	OSRAM HMI-T PHILIPS SON-T		

- Circular reflector (with baffle to avoid the direct glare) for narrow beam at highest intensity, from anodised high purity aluminum.

Code	Description
	<i>For metal halide lamp 250-400W</i>
	OSRAM HQI-T/NSI, PHILIPS HPI-T PLUS, SYLVANIA HSI-THX
714232	1x250P HIT / E40
714252	1x400P HIT / E40
	<i>For high pressure sodium lamp</i>
714222	1x250W HST / E40
714262	1x400W HST / E40



400W HIT / E 40



400W HST / E 40



Note: The preceding luminaires are also available in **class II**.

Colour Codes:

- 1 White
- 2 Titan
- 3 Black

