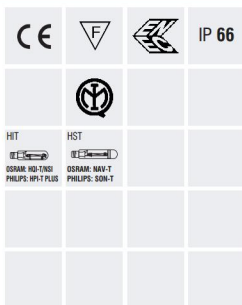


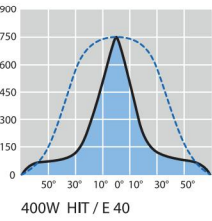
MACH 5

MACH 5 - Symmetrical

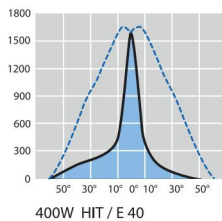


- Symmetrical reflector from anodised high purity aluminum, peened for wide and medium-wide beam and specular for medium-narrow beam.

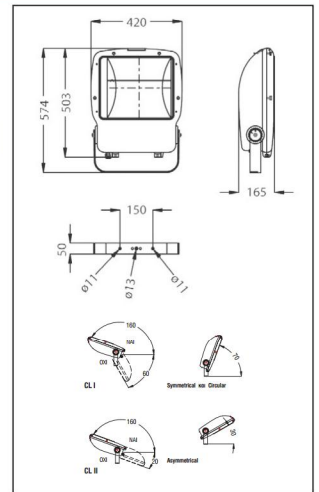
Code	Description
<i>For metal halide lamp</i>	
OSRAM HQI-T/NSI, PHILIPS HPI-T PLUS, SYLVANIA HSI-THX	
<b>Wide beam</b>	
713532	1x250P HIT / E40
713552	1x400P HIT / E40
<b>Narrow beam</b>	
713832	1x250P HIT / E40
713852	1x400P HIT / E40
<i>For high pressure sodium lamp</i>	
<b>Wide beam</b>	
713522	1x250W HST / E40
713562	1x400W HST / E40
<b>Narrow beam</b>	
713822	1x250W HST / E40
713862	1x400W HST / E40



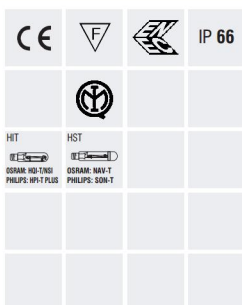
MACH 5 Symmetrical Wide beam



MACH 5 Symmetrical Narrow beam

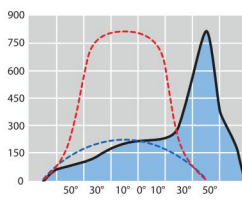


MACH 5 - Asymmetrical

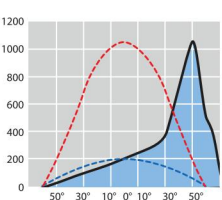


- Asymmetrical reflector from anodised high purity aluminum, peened for wide beam and specular for narrow beam.

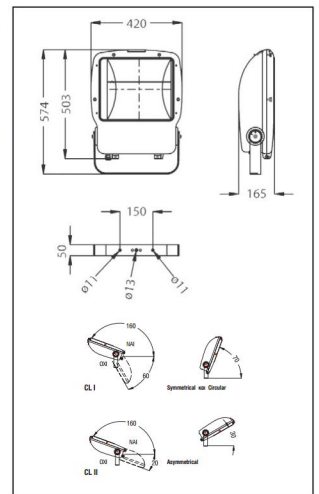
Code	Description
<i>For metal halide lamp 250-400W</i>	
OSRAM HQI-T/NSI, PHILIPS HPI-T PLUS, SYLVANIA HSI-THX	
<b>Wide beam</b>	
713932	1x250P HIT / E40
713952	1x400P HIT / E40
<b>Narrow beam</b>	
714132	1x250P HIT / E40
714152	1x400P HIT / E40
<i>For high pressure sodium lamp</i>	
<b>Wide beam</b>	
713922	1x250W HST / E40
713962	1x400W HST / E40
<b>Narrow beam</b>	
714122	1x250W HST / E40
714162	1x400W HST / E40



MACH 5 Asymmetrical Narrow beam



MACH 5 Asymmetrical Narrow beam



Colour Codes:

- 1 White
- 2 Titan
- 3 Black