

MACH 3

MACH 3 - Symmetrical



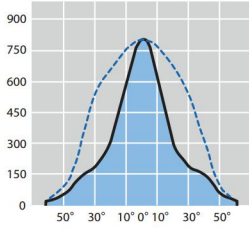
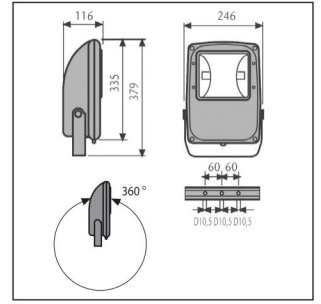
CE F ENEC IP 67

HIT-DE/RX7s HST-DE/RX7s HIT-CE/G12

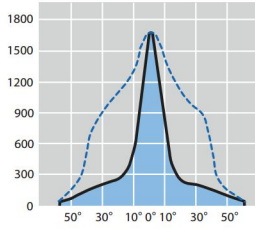
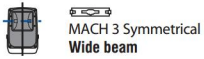
OSRAM HO-TL HO-TS PHILIPS: HO-TL, HO-TS OSRAM: NAV-TS PHILIPS: OSRAM: HO-T PHILIPS: COM-T

- Symmetrical reflector from anodised high purity aluminum, peened for medium-wide beam and specular for medium-narrow beam.

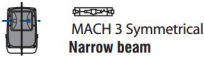
Code	Description
<i>For metal halide lamp or high pressure sodium lamp</i>	
<b>Wide beam</b>	
71211	1x150W HIT-DE or HST-DE / Rx7s-24
71241	1x150W HIT-CE / G12
<b>Narrow beam</b>	
71231	1x150W HIT-DE or HST-DE / Rx7s-24



150W HIT-DE / RX7s-24



150W HIT-DE / RX7s-24



Note: The preceding luminaires are also available in **class II** 70W.

MACH 3 - Asymmetrical



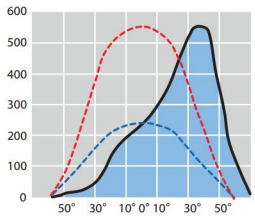
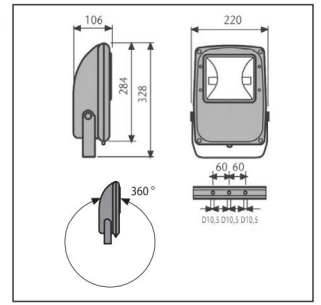
CE F ENEC IP 67

HIT-DE/RX7s HST-DE/RX7s HIT-CE/G12

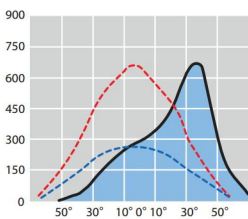
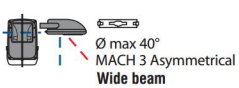
OSRAM HO-TL HO-TS PHILIPS: HO-TL, HO-TS OSRAM: NAV-TS PHILIPS: OSRAM: HO-T PHILIPS: COM-T

- Asymmetrical reflector from anodised high purity aluminum, peened for medium-wide beam and specular for medium-narrow beam.

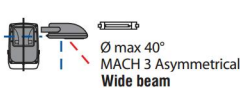
Code	Description
<i>For metal halide lamp or high pressure sodium lamp</i>	
<b>Wide beam</b>	
71251	1x150W HIT-DE or HST-DE / Rx7s-24
71281	1x150W HIT-CE / G12
<b>Narrow beam</b>	
71271	1x150W HIT-DE or HST-DE / Rx7s-24



150W HIT-DE / RX7s-24



150W HST-DE / RX7s-24



Note: The preceding luminaires are also available in **class II** 70W.

Colour Codes:

- 1 White
- 2 Titan
- 3 Black