

MACH 3

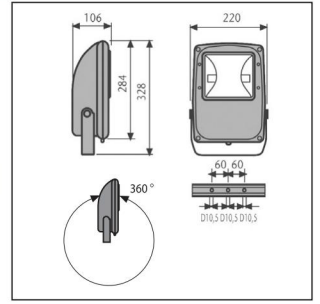
MACH 3 - Circular



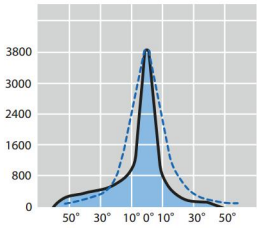
CE	F		IP 67
HIT-DE/RX7s	HST-DE/RX7s	HIT-CE/G12	
OSRAM: H0-FL-HC-TS PHILIPS: HH-TS-DM-TS	OSRAM: NAV-TS PHILIPS: -	OSRAM: H0-T PHILIPS: COM-T	

- Circular reflector from anodised high purity aluminum, glazed with medium-narrow beam completed with baffle to avoid the direct glare and super bright with narrow beam at highest intensity.

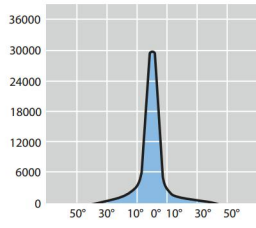
Code	Description
	For metal halide lamp or high pressure sodium lamp
	Μέσης Narrow beam
71291	1x150W HIT-DE or HST-DE / Rx7s-24
71311	1x150W HIT-CE / G12



Note: The preceding luminaires are also available in class II 70W.



150W HIT-DE / RX7s-24



150W HIT-CE / G12



Colour Codes:

- 1 White
- 2 Titan
- 3 Black