

FLOODLIGHTS

MACH 2

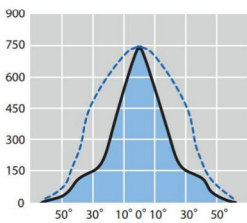
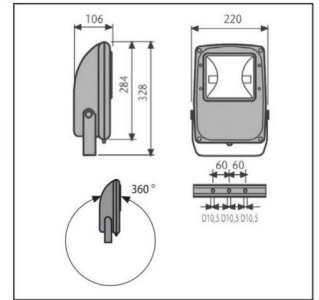
MACH 2 - Symmetrical



HIT-DE/RX7s OSRAM: HQ-TL HQ-TS PHILIPS: BMH-TS, DMH-TS	HST-DE/RX7s OSRAM: NAV-TS PHILIPS: -	HIT-CE/G12 OSRAM: HCL-T PHILIPS: COM-T
--	--	--

- Symmetrical reflector from anodised high purity aluminum, peened for medium-wide beam and specular for medium-narrow beam.

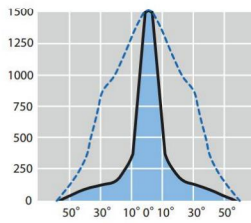
Code	Description
<i>For metal halide lamp or high pressure sodium lamp</i>	
Wide beam	
71131	1x70W HIT-DE or HST-DE / Rx7s
71151	1x35W HIT-CE / G12
71152	1x70W HIT-CE / G12
Narrow beam	
71141	1x70W HIT-DE or HST-DE / Rx7s



70W HIT-DE / RX7s



Mach 2 Symmetrical
Wide beam



70W HST-DE / RX7s



Mach 2 Symmetrical
Narrow beam

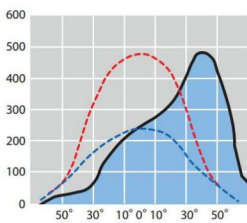
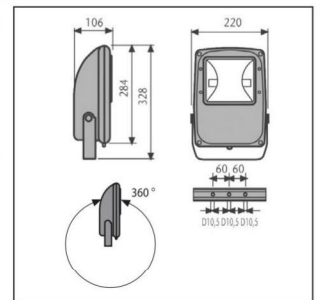
MACH 2 - Asymmetrical



HIT-DE/RX7s OSRAM: HQ-TL HQ-TS PHILIPS: BMH-TS, DMH-TS	HST-DE/RX7s OSRAM: NAV-TS PHILIPS: -	HIT-CE/G12 OSRAM: HCL-T PHILIPS: COM-T
--	--	--

- Asymmetrical reflector from anodised high purity aluminum, peened for medium-wide beam and specular for medium-narrow beam.

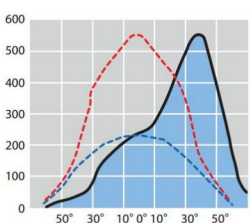
Code	Description
<i>For metal halide lamp or high pressure sodium lamp</i>	
Wide beam	
71161	1x70W HIT-DE or HST-DE / Rx7s
71181	1x35W HIT-CE / G12
71182	1x70W HIT-CE / G12
Narrow beam	
71171	1x70W HIT-DE or HST-DE / Rx7s



70W HIT-DE / RX7s



Ø max 40°
Mach 2 Asymmetrical
Wide beam



70W HST-DE / RX7s



Ø max 40°
Mach 2 Asymmetrical
Wide beam

Colour Codes:

- 1 White
 2 Titan
 3 Black