

MACH 2

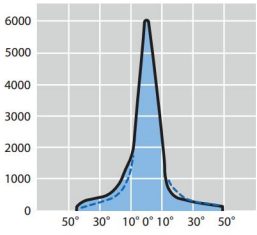
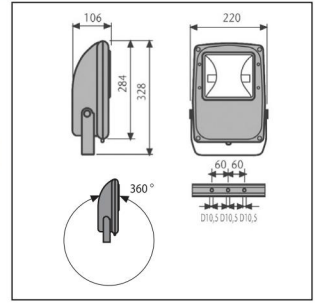
MACH 2 - Circular



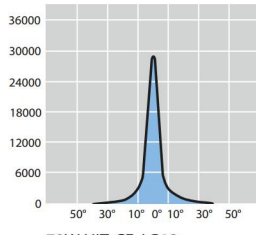
CE	F		IP 67
HIT-DE/RX7s OSRAM HO-FL-ND-7S PHILIPS HH-TL-08-7S	HST-DE/RX7s OSRAM NAV-TS PHILIPS-	HIT-CE/G12 OSRAM HCS-T PHILIPS COM-T	

- Circular reflector from anodised high purity aluminum, glazed with medium-narrow beam completed with baffle to avoid the direct glare and super bright with narrow beam at highest intensity.

Code	Description
	For metal halide lamp or high pressure sodium lamp
	Medium Narrow beam
71191	1x70W HIT-DE or HST-DE / Rx7s
71201	1x35W HIT-CE / G12
71202	1x70W HIT-CE / G12



70W HIT-DE / RX7s



70W HIT-CE / G12



Colour Codes:

- 1 White
- 2 Titan
- 3 Black