

FLOODLIGHTS

MACH 1

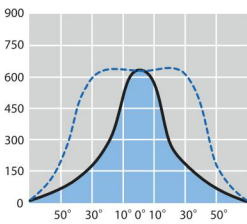
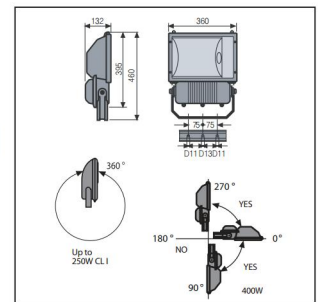
MACH 1 - Symmetrical



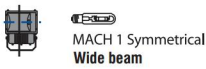
CE	F	IP 66
HIT	HST	
OSRAM HQI-T/NSI PHILIPS HPI-T PLUS	OSRAM HMI-T PHILIPS SON-T	

- Symmetrical reflector from anodised high purity aluminum, peened for medium-wide beam and specular for medium-narrow beam.

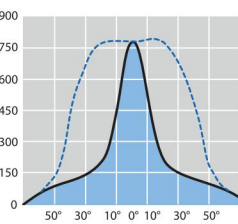
Code	Description
	<i>For metal halide lamp</i>
	OSRAM HQI-T/NSI, PHILIPS HPI-T PLUS, SYLVANIA HSI-THX
	Wide beam
71053_	1x250P HIT / E40
71054_	1x400P HIT / E40
	Narrow beam
71073_	1x250P HIT / E40
71074_	1x400P HIT / E40
	<i>For high pressure sodium lamp</i>
	Wide beam
71052_	1x250W HST / E40
71055_	1x400W HST / E40
	Narrow beam
71072_	1x250W HST / E40
71075_	1x400W HST / E40



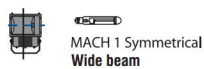
250W HIT / E40



MACH 1 Symmetrical Wide beam



250W HST / E40



MACH 1 Symmetrical Wide beam

Note: The preceding luminaires are also available in **class II**.

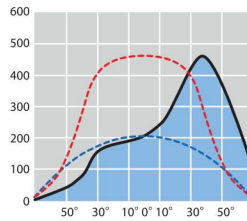
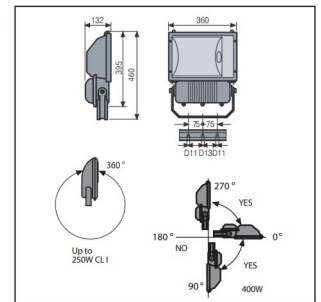
MACH 1 - Asymmetrical



CE	F	IP 66
HIT	HST	
OSRAM HQI-T/NSI PHILIPS HPI-T PLUS	OSRAM HMI-T PHILIPS SON-T	

- Asymmetrical reflector from anodised high purity aluminum, peened for medium-wide beam and specular for medium-narrow beam.

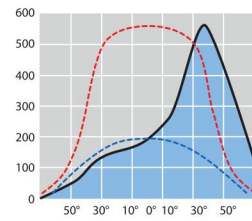
Code	Description
	<i>For metal halide lamp</i>
	OSRAM HQI-T/NSI, PHILIPS HPI-T PLUS, SYLVANIA HSI-THX
	Wide beam
71083_	1x250P HIT / E40
71084_	1x400P HIT / E40
	Narrow beam
71103_	1x250P HIT / E40
71104_	1x400P HIT / E40
	<i>For high pressure sodium lamp</i>
	Wide beam
71082_	1x250W HST / E40
71085_	1x400W HST / E40
	Narrow beam
71102_	1x250W HST / E40
71105_	1x400W HST / E40



250W HIT / E40



MACH 1 Asymmetrical Wide beam



250W HST / E40



MACH 1 Asymmetrical Wide beam

Note: The preceding luminaires are also available in **class II**.

Colour Codes:

- 1 White 2 Titan 3 Black