

MACH 1

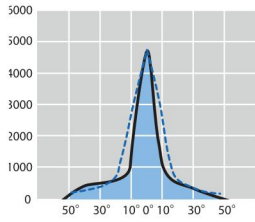
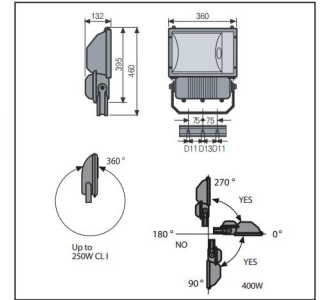
MACH 1 - Circular



CE	F	IP 66	
HIT	HST	HIT-DE	HST-DE
 OSRAM HQI-T/NSI PHILIPS HPI-T PLUS	 OSRAM NAV-T PHILIPS SON-T	 OSRAM HQI-TS	 OSRAM NAV-TS

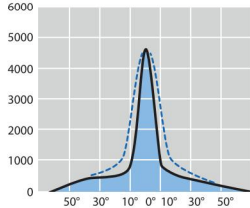
- Circular reflector (with baffle to avoid the direct glare) for narrow beam at highest intensity, from anodised high purity aluminum.

Code	Description
<i>For metal halide lamp</i>	
OSRAM HQI-T/NSI, PHILIPS HPI-T PLUS, SYLVANIA HSI-THX	
Wide beam	
71053	1x250P HIT / E40
71054	1x400P HIT / E40
Narrow beam	
71073	1x250P HIT / E40
71074	1x400P HIT / E40
<i>For high pressure sodium lamp</i>	
Wide beam	
71052	1x250W HST / E40
71055	1x400W HST / E40
Narrow beam	
71072	1x250W HST / E40
71075	1x400W HST / E40



250W HIT / E40

MACH 1 Circular
Narrow beam
High intensity



400W HIT-DE / FC2

MACH 1 Circular
Narrow beam
High intensity

Note: The preceding luminaires are also available in **class II**.

Colour Codes:

- 1 White
- 2 Titan
- 3 Black