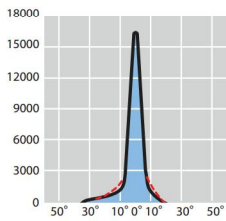
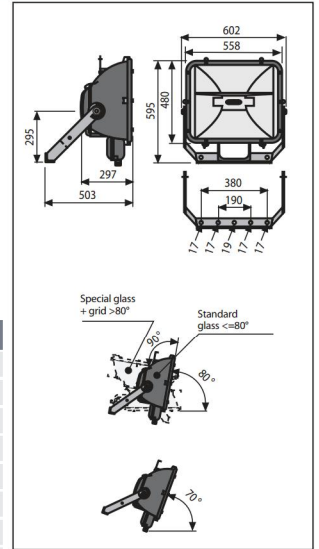


LIGHTMASTER 2000

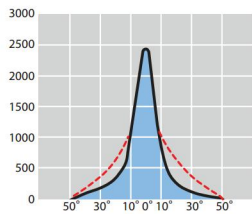
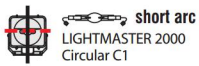
LIGHTMASTER 2000 - Circular



- High intensity circular reflector (with baffle to avoid the direct glare), type C1, C2, C3, C4, C5, C6 for short arc lamps and C1, C2, C4 for long arc lamps, from anodised high purity aluminum.



2000W HIT-DE



2000W HIT-DE



Code	Description
FA70121	FLOODLIGHT LIGHTMASTER 2000 CIRC / K12s-36 (short arc OSRAM) 70121 R1 (empty with ignitor)
FA70122	FLOODLIGHT LIGHTMASTER 2000 CIRC / K12s-36 (short arc OSRAM) 70122 R2 (empty with ignitor)
FA70123	FLOODLIGHT LIGHTMASTER 2000 CIRC / K12s-36 (short arc OSRAM) 70123 R3 (empty with ignitor)
FA70124	FLOODLIGHT LIGHTMASTER 2000 CIRC / K12s-36 (short arc OSRAM) 70124 R4 (empty with ignitor)
FA70125	FLOODLIGHT LIGHTMASTER 2000 CIRC / K12s-36 (short arc OSRAM) 70125 R5 (empty with ignitor)
FA70126	FLOODLIGHT LIGHTMASTER 2000 CIRC / K12s-36 (short arc OSRAM) 70126 R6 (empty with ignitor)
FA70127	FLOODLIGHT LIGHTMASTER 2000 CIRC / K12s-36 (short arc OSRAM) 70127 R7 (empty with ignitor)
FA70128	FLOODLIGHT LIGHTMASTER 2000 CIRC / K12s-36 (short arc OSRAM) 70128 R8 (empty with ignitor)
FA70129	FLOODLIGHT LIGHTMASTER 2000 CIRC / K12s-36 (short arc OSRAM) 70129 R9 (empty with ignitor)
FA70251	FLOODLIGHT LIGHTMASTER 2000 CIRC / K12s-36 (long arc OSRAM) 70251 R1 (empty with ignitor)
FA70252	FLOODLIGHT LIGHTMASTER 2000 CIRC / K12s-36 (long arc OSRAM) 70252 R2 (empty with ignitor)
FA70253	FLOODLIGHT LIGHTMASTER 2000 CIRC / K12s-36 (long arc OSRAM) 70253 R5 (empty with ignitor)
FA70256	FLOODLIGHT LIGHTMASTER 2000 CIRC / X528 (long arc PHILIPS) 70256 R1 (empty with ignitor)
FA70257	FLOODLIGHT LIGHTMASTER 2000 CIRC / X528 (long arc PHILIPS) 70257 R2 (empty with ignitor)
FA70258	FLOODLIGHT LIGHTMASTER 2000 CIRC / X528 (long arc PHILIPS) 70258 R5 (empty with ignitor)

2000W HIT-DE / K12s-36: OSRAM (short arc HQI-TS 2000/D/S - long arc HQI-TS 2000/N/L)
2000W HIT-DE / X528: PHILIPS (long arc) MHN-LA 2000W/842, MHN-LA 2000W/956

Note: The preceding luminaires are also available in class II.

DESCRIPTION	Type	Conventional ballast and capacitor	
		CODE	
For metal halide lamp			
1x2000W HIT-DE / K12s-36 Osram HIT-DE / X528 Philips	CONTROL GEAR (in aluminium base)	701124	
1x2000W HIT-DE / K12s-36 Osram HIT-DE / X528 Philips	CONTROL GEAR (in waterproof gear box)	701120	