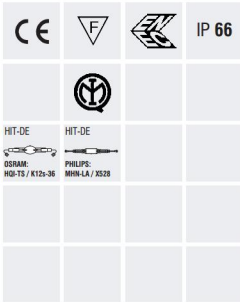
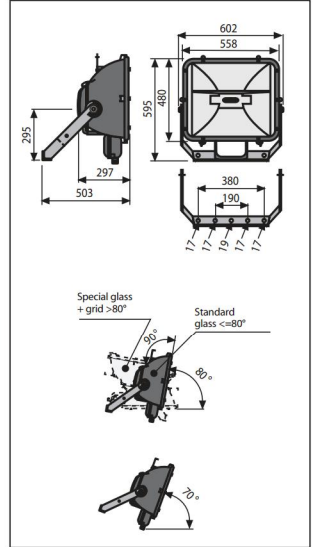


LIGHTMASTER 2000

LIGHTMASTER 2000 - Asymmetrical



- Asymmetrical reflector (with baffle to avoid the direct glare), peened for wide beam and specular for narrow beam, from anodised high purity aluminum.



Code	Description
Wide beam (with deflector)	
FA70048	FLOODLIGHT LIGHTMASTER 2000 ASYM / X528 (long arc PHILIPS) 70048 (empty with ignitor)
Wide beam (without deflector)	
FA70212	FLOODLIGHT LIGHTMASTER 2000 ASYM / K12s-36 (short arc OSRAM) 70212 (empty with ignitor)
FA74672	FLOODLIGHT LIGHTMASTER 2000 ASYM / K12s-36 (long arc OSRAM) 74672 (empty with ignitor)
Narrow beam (with deflector)	
FA70041	FLOODLIGHT LIGHTMASTER 2000 ASYM / K12s-36 (short arc OSRAM) 70041 (empty with ignitor)
FA70044	FLOODLIGHT LIGHTMASTER 2000 ASYM / K12s-36 (long arc OSRAM) 70044 (empty with ignitor)
FA70047	FLOODLIGHT LIGHTMASTER 2000 ASYM / X528 (long arc PHILIPS) 70047 (empty with ignitor)
Narrow beam (without deflector)	
FA70211	FLOODLIGHT LIGHTMASTER 2000 ASYM / K12s-36 (short arc OSRAM) 70211 (empty with ignitor)
FA74651	FLOODLIGHT LIGHTMASTER 2000 ASYM / K12s-36 (short arc OSRAM) 74651 (empty with ignitor)
FA70214	FLOODLIGHT LIGHTMASTER 2000 ASYM / K12s-36 (long arc OSRAM) 70214 (empty with ignitor)
FA74671	FLOODLIGHT LIGHTMASTER 2000 ASYM / K12s-36 (long arc OSRAM) 74671 (empty with ignitor)
FA70217	FLOODLIGHT LIGHTMASTER 2000 ASYM / X528 (long arc PHILIPS) 70217 (empty with ignitor)

2000W HIT-DE / K12s-36: OSRAM (short arc HQI-TS 2000/D/S - long arc HQI-TS 2000/N/L)
 2000W HIT-DE / X528: PHILIPS (long arc) MHN-LA 2000W/842, MHN-LA 2000W/956

Note: The preceding luminaires are also available in **class II**.

