

FLOODLIGHTS

JET 1000

JET 1000 - Symmetrical



CE	F	IP 66
HIT	HST	
OSRAM HD 1000 PHILIPS HQ-T FLE	OSRAM NAV-T PHILIPS SON-T	

- Symmetrical reflector from anodised high purity aluminum (with baffle to avoid the direct glare), peened for medium-wide beam and specular for medium-narrow beam.

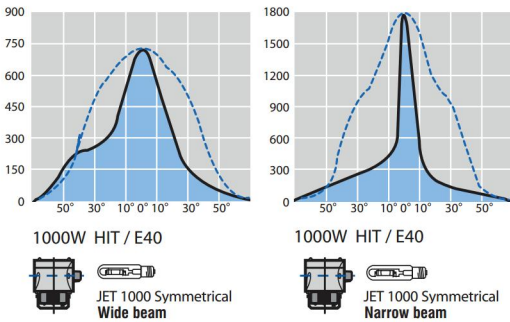
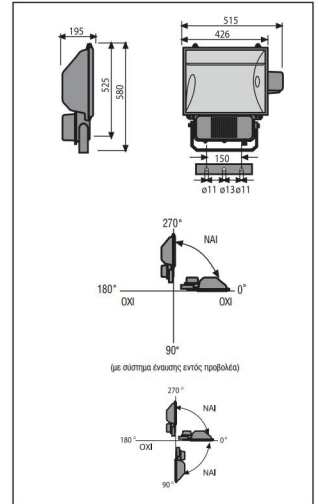
- **Note:** In the version with metal halide lamp (HIT), the ignition system can be installed either inside or outside the floodlight on a metal base. In the version with high pressure sodium lamp (HST), the ignition system is mandatory placed outside the floodlight on the same metal base as before.

There is also capacity for the ignition system to be placed in a waterproof box (cable service):

a) from diecast aluminum for **Class I** (IP65) or

b) self-extinguished thermoplastic for **Class II** (IP66).

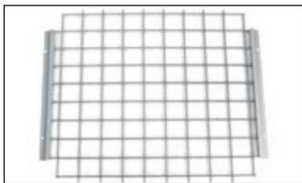
The ignitor in each case is placed within the floodlight.



Code	Description
	Wide beam (50497)
714913	1x1000W HIT / E40 Halogen (with integrated control gear)
FA50497	FLOODLIGHT JET 1000 SYM 50497 E40 (empty)
	Narrow beam (50498)
715013	1x1000W HIT / E40 Halogen (with integrated control gear)
FA50498	FLOODLIGHT JET 1000 SYM 50498 E40 (empty)

OKAY - ACCESSORIES

PROTECTION GRILLE



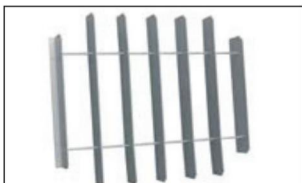
--	--	--

- Steel protection grille. Zinc plated and steel coated in black colour.

- Black colour.

Code	Description	
701308	PROTECTION GRILLE	60349

ADJUSTABLE LOUVRE



--	--	--

- Steel protection louvre. Zinc plated and steel coated in black colour.

- Black colour.

Code	Description	
701411	PROTECTION LOUVRE	60339

Description	Type	Conventional ballast and capacitor	
		CODE	
For metal halide lamp			
1x1000W HIT / E40	CONTROL GEAR (in aluminium base) + Ignitor 5KV	701111	
1x1000W HIT / E40	CONTROL GEAR (in waterproof gear box) + Ignitor 5KV	701109	
For high pressure sodium lamp			
1x1000W HST / E40	CONTROL GEAR (in aluminium base) + Ignitor 5KV	701115	
1x1000W HST / E40	CONTROL GEAR (in waterproof gear box) + Ignitor 5KV	701113	