

FLOODLIGHTS

JET 1000

JET 1000 - Asymmetrical



CE	F		IP 66
OSRAM HPS 300	OSRAM HPS 300	OSRAM HPS 300	OSRAM HPS 300
PHILIPS HR-T PLUS	PHILIPS HR-T PLUS	PHILIPS HR-T PLUS	PHILIPS HR-T PLUS

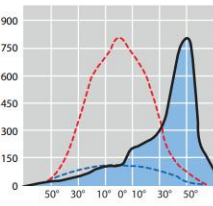
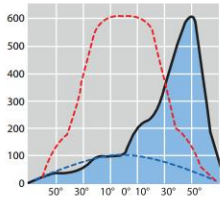
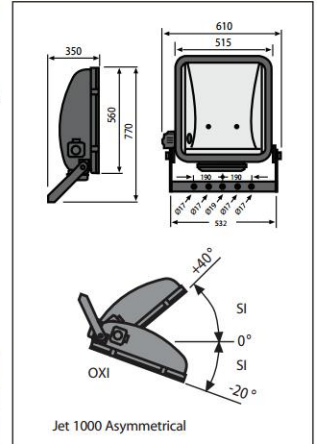
- Asymmetrical reflector from anodised high purity aluminum (with baffle to avoid the direct glare), peened for medium-wide beam and specular for medium-narrow beam.

- **Note:** The ignition system is always installed inside the floodlight on a metal base.

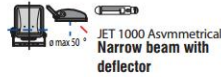
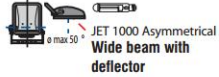
There is also capacity for the ignition system to be placed in a waterproof box (cable service):

a) from diecast aluminum for **Class I** (IP65) or
 b) self-extinguished thermoplastic for **Class II** (IP66).

The ignitor in each case is placed within the floodlight.

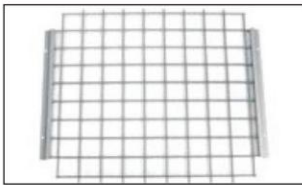


Code	Description
	Wide beam (50612)
FA50612	FLOODLIGHT JET 1000 ASYM 50612 E40 (empty)
	Narrow beam (50613)
FA50613	FLOODLIGHT JET 1000 ASYM 50613 E40 (empty)



OKAY - ACCESSORIES

PROTECTION GRILLE



--	--	--	--

- Steel protection grille. Zinc plated and steel coated in silver colour.

Code	Description	
701307	PROTECTION GRILLE	60050

ADJUSTABLE LOUVRE



--	--	--	--

- Anti-glare louvre. Stainless steel coated in silver colour, 50° asymmetry.

- Black colour.

Code	Description	
701410	ANTI-GLARE LOUVRE	60093

Description	Type	Conventional ballast and capacitor	
		CODE	
For metal halide lamp			
1x1000W HIT / E40	CONTROL GEAR (in aluminium base) + Ignitor 5KV	701111	
1x1000W HIT / E40	CONTROL GEAR (in waterproof gear box) + Ignitor 5KV	701109	
For high pressure sodium lamp			
1x1000W HST / E40	CONTROL GEAR (in aluminium base) + Ignitor 5KV	701115	
1x1000W HST / E40	CONTROL GEAR (in waterproof gear box) + Ignitor 5KV	701113	

JET 1000

