

	PAGE
■ MACH 2 .....	172
■ MACH 3 .....	176
■ MACH 1 .....	180
■ MACH 5 .....	184
■ OKAY .....	188
■ BENZ .....	189
■ JET 1000 .....	190
■ JET 2000 .....	194
■ LIGHTMASTER 1000 .....	196
■ LIGHTMASTER 2000 .....	202
■ LIGHTMASTER ONE 1000 / 2000 .....	208

MACH 2



Technical Features

- Floodlights for metal halide lamps (HIT-DE, HIT-CE) or high pressure sodium lamp (HST-DE).
- Diecast aluminum body electrostatically painted in black, titan and white.
- Silicon rubber gasket.
- Tempered safety glass.
- Bracket made of galvanized painted steel with index for vertical orientation.
- Control gear base of galvanized steel.
- The floodlights are in accordance with regulations EN 60598-1 and EN 60598-2-5.
- Connection for operation on 230V-50Hz with conventional control gear and power factor correction capacitor.
- Wind exposed surface = 0,056 m<sup>2</sup>.

# FLOODLIGHTS

## MACH 2

### MACH 2 - Symmetrical



CE F E IP 67

HIT-DE/RX7s HST-DE/RX7s HIT-CE/G12

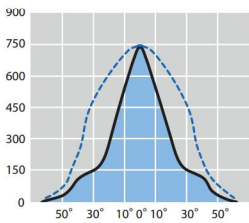
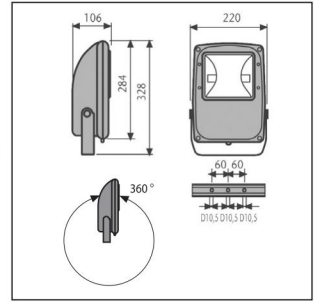
OSRAM: HO-TL, HO-TS PHILIPS: HH-TL, COM-D

OSRAM: NAV-TS PHILIPS: -

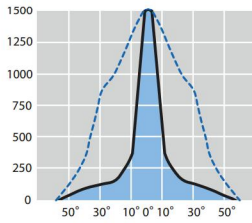
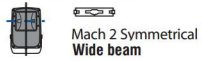
OSRAM: HCL-T PHILIPS: COM-T

- Symmetrical reflector from anodised high purity aluminum, peened for medium-wide beam and specular for medium-narrow beam.

Code	Description
<i>For metal halide lamp or high pressure sodium lamp</i>	
<b>Wide beam</b>	
71131	1x70W HIT-DE or HST-DE / Rx7s
71151	1x35W HIT-CE / G12
71152	1x70W HIT-CE / G12
<b>Narrow beam</b>	
71141	1x70W HIT-DE or HST-DE / Rx7s



70W HIT-DE / RX7s



70W HST-DE / RX7s



### MACH 2 - Asymmetrical



CE F E IP 67

HIT-DE/RX7s HST-DE/RX7s HIT-CE/G12

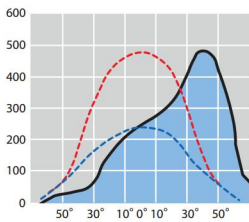
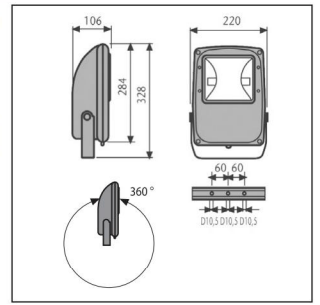
OSRAM: HO-TL, HO-TS PHILIPS: HH-TL, COM-D

OSRAM: NAV-TS PHILIPS: -

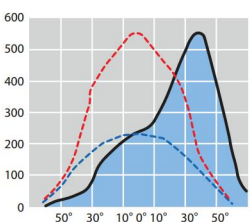
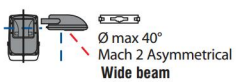
OSRAM: HCL-T PHILIPS: COM-T

- Asymmetrical reflector from anodised high purity aluminum, peened for medium-wide beam and specular for medium-narrow beam.

Code	Description
<i>For metal halide lamp or high pressure sodium lamp</i>	
<b>Wide beam</b>	
71161	1x70W HIT-DE or HST-DE / Rx7s
71181	1x35W HIT-CE / G12
71182	1x70W HIT-CE / G12
<b>Narrow beam</b>	
71171	1x70W HIT-DE or HST-DE / Rx7s



70W HIT-DE / RX7s



70W HST-DE / RX7s



#### Colour Codes:

- 1 White 2 Titan 3 Black

MACH 2

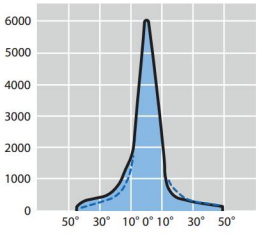
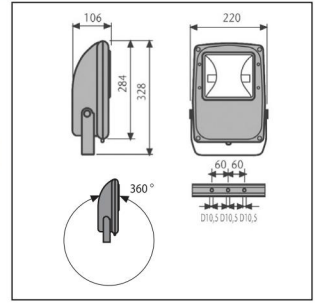
MACH 2 - Circular



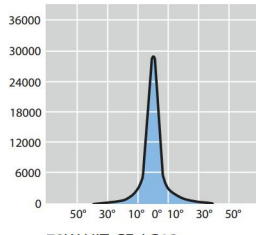
CE	F		IP 67
<small>HIT-DE/Rx7s OSRAM HO FLX RX7s PHILIPS HWL RX7s</small>	<small>HST-DE/Rx7s OSRAM NAV-TS PHILIPS-</small>	<small>HIT-CE/G12 OSRAM HCS-T PHILIPS COM-T</small>	

- Circular reflector from anodised high purity aluminum, glazed with medium-narrow beam completed with baffle to avoid the direct glare and super bright with narrow beam at highest intensity.

Code	Description
	<i>For metal halide lamp or high pressure sodium lamp</i>
	<b>Medium Narrow beam</b>
71191	1x70W HIT-DE or HST-DE / Rx7s
71201	1x35W HIT-CE / G12
71202	1x70W HIT-CE / G12



70W HIT-DE / Rx7s



70W HIT-CE / G12



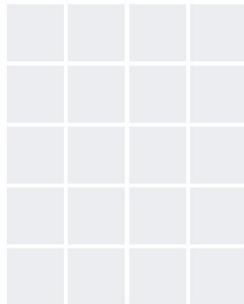
Colour Codes:

- 1 White
- 2 Titan
- 3 Black

## FLOODLIGHTS

### MACH 2 - ACCESSORIES

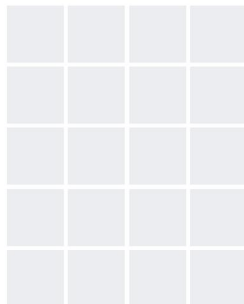
#### PROTECTION GRILLE



- Steel protection grille. Zinc plated and steel coated in black colour for **MACH 2 symmetrical, asymmetrical** and **circular** optic.
- Black colour.

Code	Description	
701312	PROTECTION GRILLE	60250

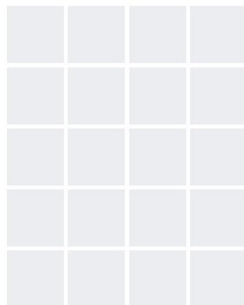
#### PROTECTION LOUVRE



- Protection louvre. Stainless steel coated in black colour for **MACH 2 symmetrical** or **asymmetrical** optic.
- Black colour.

Code	Description	
701429	PROTECTION LOUVRE	60251

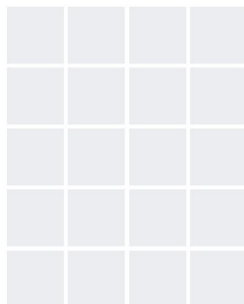
#### CIRCULAR LOUVRE



- Circular louvre. Stainless steel coated in black colour for **MACH 2 circular**.
- Black colour.

Code	Description	
701429	PROTECTION LOUVRE	60251

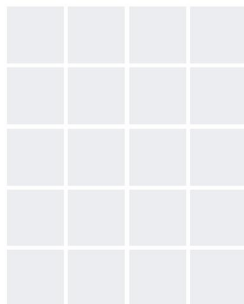
#### ANTI-GLARE LOUVRE



- Anti-glare louvre made of painted stainless steel for **MACH 2 Symmetrical**.

Code	Description	Colour
701435	ANTI-GLARE LOUVRE 60221	Black
701444	ANTI-GLARE LOUVRE 60223	Titan
701445	ANTI-GLARE LOUVRE 60224	White

#### ANTI-GLARE LOUVRE



- Anti-glare louvre made of painted stainless steel for **MACH 2 Asymmetrical**.

Code	Description	Colour
701431	ANTI-GLARE LOUVRE 60225	Black
701433	ANTI-GLARE LOUVRE 60227	Titan
701434	ANTI-GLARE LOUVRE 60228	White

MACH 3



Technical Features

- Floodlights for metal halide lamps (HIT-DE, HIT-CE) or high pressure sodium lamp (HST-DE).
- Diecast aluminum body electrostatically painted in black, titan and white.
- Silicon rubber gasket.
- Tempered safety glass.
- Bracket made of galvanized painted steel with index for vertical orientation.
- Control gear base of galvanized steel.
- The floodlights are in accordance with regulations EN 60598-1 and EN 60598-2-5.
- Connection for operation on 230V-50Hz with conventional control gear and power factor correction capacitor.
- Wind exposed surface = 0,075 m<sup>2</sup>.

MACH 3

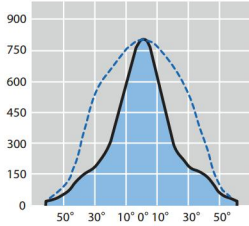
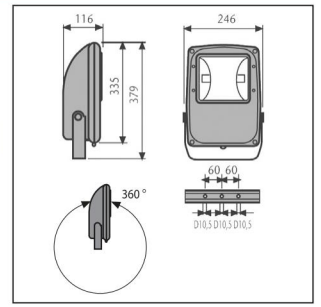
MACH 3 - Symmetrical



CE	F	IP 67
HIT-DE/RX7s OSRAM: HQI-TL, HQI-TS PHILIPS: MW-TL, COM-TD	HST-DE/RX7s OSRAM: NAV-TS PHILIPS: -	HIT-CE/G12 OSRAM: HCI-T PHILIPS: COM-T

- Symmetrical reflector from anodised high purity aluminum, peened for medium-wide beam and specular for medium-narrow beam.

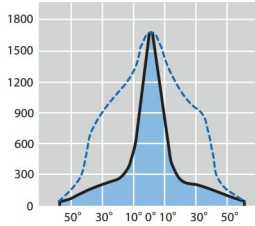
Code	Description
<i>For metal halide lamp or high pressure sodium lamp</i>	
<b>Wide beam</b>	
71211	1x150W HIT-DE or HST-DE / Rx7s-24
71241	1x150W HIT-CE / G12
<b>Narrow beam</b>	
71231	1x150W HIT-DE or HST-DE / Rx7s-24



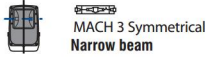
150W HIT-DE / RX7s-24



MACH 3 Symmetrical Wide beam



150W HIT-DE / RX7s-24



MACH 3 Symmetrical Narrow beam

Note: The preceding luminaires are also available in **class II** 70W.

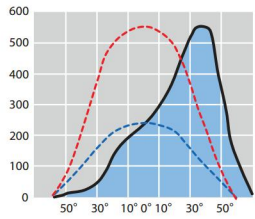
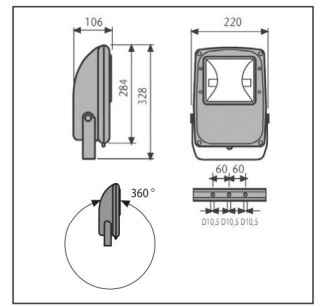
MACH 3 - Asymmetrical



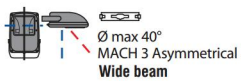
CE	F	IP 67
HIT-DE/RX7s OSRAM: HQI-TL, HQI-TS PHILIPS: MW-TL, COM-TD	HST-DE/RX7s OSRAM: NAV-TS PHILIPS: -	HIT-CE/G12 OSRAM: HCI-T PHILIPS: COM-T

- Asymmetrical reflector from anodised high purity aluminum, peened for medium-wide beam and specular for medium-narrow beam.

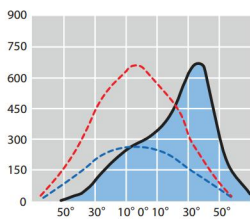
Code	Description
<i>For metal halide lamp or high pressure sodium lamp</i>	
<b>Wide beam</b>	
71251	1x150W HIT-DE or HST-DE / Rx7s-24
71281	1x150W HIT-CE / G12
<b>Narrow beam</b>	
71271	1x150W HIT-DE or HST-DE / Rx7s-24



150W HIT-DE / RX7s-24



∅ max 40° MACH 3 Asymmetrical Wide beam



150W HST-DE / RX7s-24



∅ max 40° MACH 3 Asymmetrical Wide beam

Note: The preceding luminaires are also available in **class II** 70W.

Colour Codes:

- 1 White
- 2 Titan
- 3 Black

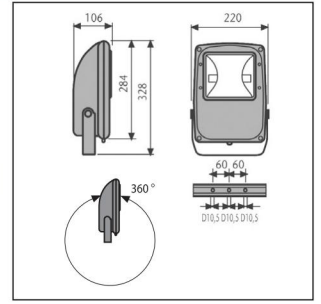
MACH 3

MACH 3 - Circular



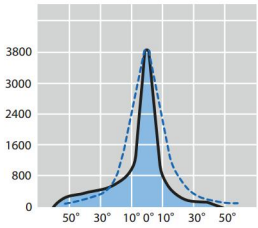
CE	F		IP 67
HIT-DE/RX7s	HST-DE/RX7s	HIT-CE/G12	
OSRAM: H0-FL-HC-TS PHILIPS: HH-TL-DM-T	OSRAM: NAV-TS PHILIPS:	OSRAM: H0-T PHILIPS: COM-T	

- Circular reflector from anodised high purity aluminum, glazed with medium-narrow beam completed with baffle to avoid the direct glare and super bright with narrow beam at highest intensity.

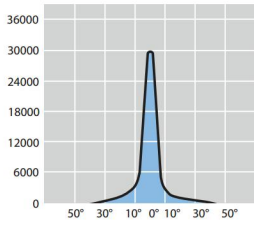


Code	Description
	For metal halide lamp or high pressure sodium lamp
	<b>Μέσης Narrow beam</b>
71291	1x150W HIT-DE or HST-DE / Rx7s-24
71311	1x150W HIT-CE / G12

Note: The preceding luminaires are also available in **class II** 70W.



150W HIT-DE / RX7s-24



150W HIT-CE / G12



Colour Codes:

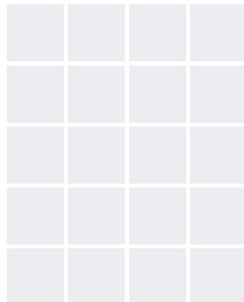
- 1 White
- 2 Titan
- 3 Black



## FLOODLIGHTS

### MACH 3 - ACCESSORIES

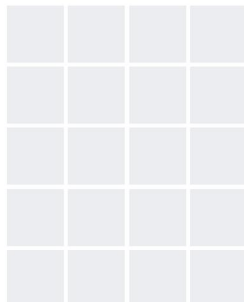
#### PROTECTION GRILLE



- Steel protection grille. Zinc plated and steel coated in black colour for **MACH 3 symmetrical, asymmetrical and circular** optic.
- Black colour.

Code	Description	
701311	PROTECTION GRILLE	60255

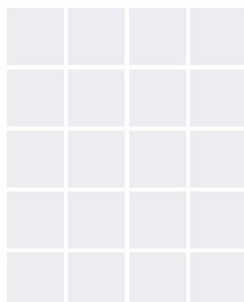
#### PROTECTION LOUVRE



- Protection louvre. Stainless steel coated in black colour for **MACH 3 symmetrical or asymmetrical** optic.
- Black colour.

Code	Description	
701421	PROTECTION LOUVRE	60256

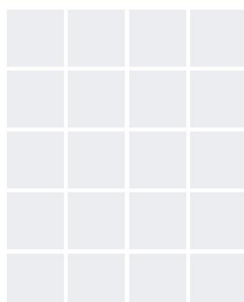
#### CIRCULAR LOUVRE



- Circular louvre. Stainless steel coated in black colour for **MACH 3 circular**.
- Black colour.

Code	Description	
701422	CIRCULAR LOUVRE	60257

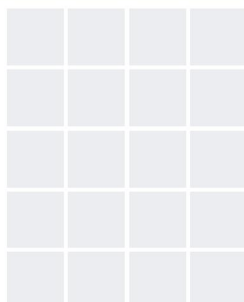
#### ANTI-GLARE LOUVRE



- Anti-glare louvre made of painted stainless steel for **MACH 3 Symmetrical**.

Code	Description	Colour
701427	ANTI-GLARE LOUVRE 60253	Black
701447	ANTI-GLARE LOUVRE 60264	Titan
701446	ANTI-GLARE LOUVRE 60265	White

#### ANTI-GLARE LOUVRE



- Anti-glare louvre made of painted stainless steel for **MACH 3 Asymmetrical**.

Code	Description	Colour
701423	ANTI-GLARE LOUVRE 60266	Black
701425	ANTI-GLARE LOUVRE 60268	Titan
701426	ANTI-GLARE LOUVRE 60269	White

## MACH 1



### Technical Features

- Floodlights for metal halide lamps (HIT, HIT-DE, HIT-CE) or high pressure sodium lamp (HST, HST-DE).
- Diecast aluminum body electrostatically painted in black, titan and white, complete with thermally isolated control gear housing.
- Silicon rubber gasket.
- Input of the power cable through cable gland type PG 13,5.
- Tempered safety glass.
- Bracket made of galvanized painted steel with index for vertical orientation.
- The removable control gear plate is made out of galvanized steel sheet for insulation Class I and of injection of selfextinguish thermoplastic material for insulation Class II.
- The floodlights are in accordance with regulations EN 60598-1 and EN 60598-2-5.
- Connection for operation on 230V-50Hz with conventional control gear and power factor correction capacitor.
- Wind exposed surface = 0,13 m<sup>2</sup>.

# FLOODLIGHTS

## MACH 1

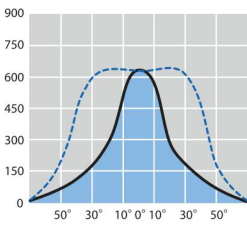
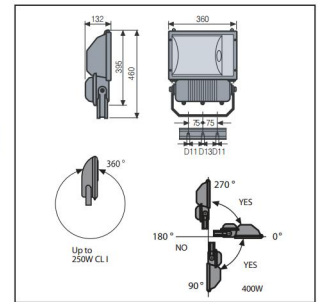
### MACH 1 - Symmetrical



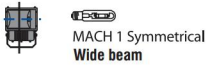
CE	F	IP 66
HIT	HST	
OSRAM HQI-T/NSI PHILIPS HPI-T PLUS	OSRAM HMI-T PHILIPS SON-T	

- Symmetrical reflector from anodised high purity aluminum, peened for medium-wide beam and specular for medium-narrow beam.

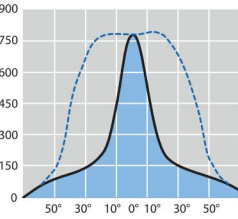
Code	Description
	<i>For metal halide lamp</i>
	OSRAM HQI-T/NSI, PHILIPS HPI-T PLUS, SYLVANIA HSI-THX
	<b>Wide beam</b>
71053_	1x250P HIT / E40
71054_	1x400P HIT / E40
	<b>Narrow beam</b>
71073_	1x250P HIT / E40
71074_	1x400P HIT / E40
	<i>For high pressure sodium lamp</i>
	<b>Wide beam</b>
71052_	1x250W HST / E40
71055_	1x400W HST / E40
	<b>Narrow beam</b>
71072_	1x250W HST / E40
71075_	1x400W HST / E40



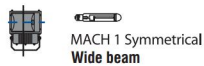
250W HIT / E40



MACH 1 Symmetrical Wide beam



250W HST / E40



MACH 1 Symmetrical Wide beam

Note: The preceding luminaires are also available in **class II**.

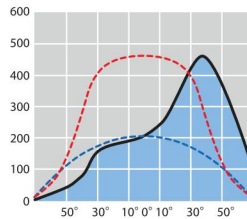
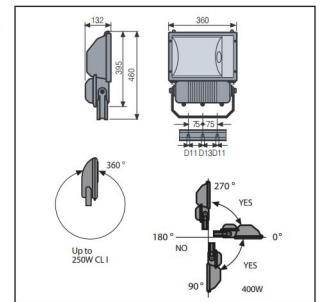
### MACH 1 - Asymmetrical



CE	F	IP 66
HIT	HST	
OSRAM HQI-T/NSI PHILIPS HPI-T PLUS	OSRAM HMI-T PHILIPS SON-T	

- Asymmetrical reflector from anodised high purity aluminum, peened for medium-wide beam and specular for medium-narrow beam.

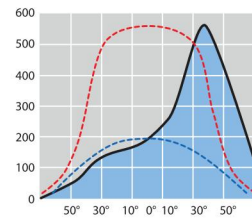
Code	Description
	<i>For metal halide lamp</i>
	OSRAM HQI-T/NSI, PHILIPS HPI-T PLUS, SYLVANIA HSI-THX
	<b>Wide beam</b>
71083_	1x250P HIT / E40
71084_	1x400P HIT / E40
	<b>Narrow beam</b>
71103_	1x250P HIT / E40
71104_	1x400P HIT / E40
	<i>For high pressure sodium lamp</i>
	<b>Wide beam</b>
71082_	1x250W HST / E40
71085_	1x400W HST / E40
	<b>Narrow beam</b>
71102_	1x250W HST / E40
71105_	1x400W HST / E40



250W HIT / E40



MACH 1 Asymmetrical Wide beam



250W HST / E40



MACH 1 Asymmetrical Wide beam

Note: The preceding luminaires are also available in **class II**.

#### Colour Codes:

- 1 White 2 Titan 3 Black

MACH 1

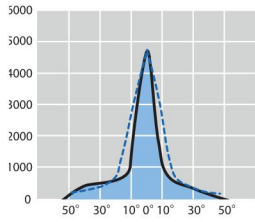
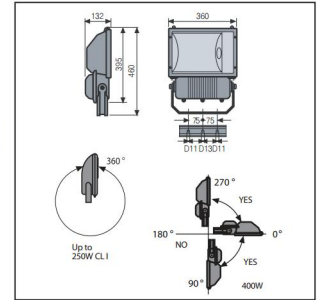
MACH 1 - Circular



CE	F	IP 66	
HIT	HST	HIT-DE	HST-DE
 OSRAM HQI-T/NSI PHILIPS HPI-T PLUS	 OSRAM NAV-T PHILIPS SONA-T	 OSRAM HQI-TS	 OSRAM NAV-TS

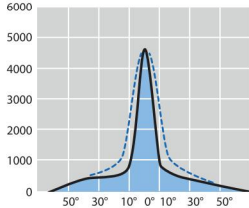
- Circular reflector (with baffle to avoid the direct glare) for narrow beam at highest intensity, from anodised high purity aluminum.

Code	Description
<i>For metal halide lamp</i>	
OSRAM HQI-T/NSI, PHILIPS HPI-T PLUS, SYLVANIA HSI-THX	
<b>Wide beam</b>	
71053	1x250P HIT / E40
71054	1x400P HIT / E40
<b>Narrow beam</b>	
71073	1x250P HIT / E40
71074	1x400P HIT / E40
<i>For high pressure sodium lamp</i>	
<b>Wide beam</b>	
71052	1x250W HST / E40
71055	1x400W HST / E40
<b>Narrow beam</b>	
71072	1x250W HST / E40
71075	1x400W HST / E40



250W HIT / E40

MACH 1 Circular  
Narrow beam  
High intensity



400W HIT-DE / FC2

MACH 1 Circular  
Narrow beam  
High intensity

Note: The preceding luminaires are also available in **class II**.

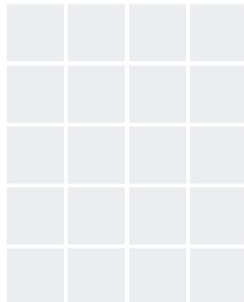
Colour Codes:

- 1 White
- 2 Titan
- 3 Black

## FLOODLIGHTS

### MACH 1 - ACCESSORIES

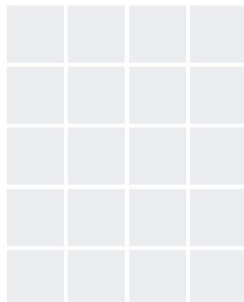
#### PROTECTION GRILLE



- Steel protection grille. Zinc plated and steel coated in black colour for **MACH 1 symmetrical, asymmetrical** and **circular** optic.
- Black colour.

Code	Description	
701436	PROTECTION GRILLE	60065

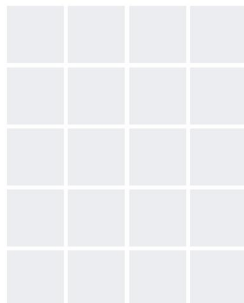
#### PROTECTION LOUVRE



- Protection louvre. Stainless steel coated in black colour for **MACH 1 symmetrical** or **asymmetrical** optic.
- Black colour.

Code	Description	
701437	PROTECTION LOUVRE	60066

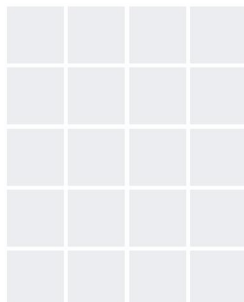
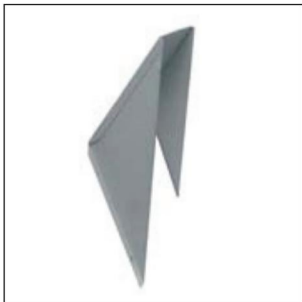
#### CIRCULAR LOUVRE



- Circular louvre. Stainless steel coated in black colour.

Code	Description	
701438	CIRCULAR LOUVRE for <b>MACH 1 Circular E40</b>	60067
701439	CIRCULAR LOUVRE for <b>MACH 1 Circular FC2</b>	60068

#### ANTI-GLARE LOUVRE



- Anti-glare louvre made of painted stainless steel for **MACH 1 Asymmetrical**.

Code	Description	Colour
701440	ANTI-GLARE LOUVRE 60274	Black
701442	ANTI-GLARE LOUVRE 60276	Titan
701443	ANTI-GLARE LOUVRE 60277	White

**MACH 5****Technical Features**

- Floodlights for metal halide lamps (HIT, HIT-DE, HIT-CE) or high pressure sodium lamp (HST, HST-DE).
- Diecast aluminum body with primary alloy and low copper content with a high weather proof rating, electrostatically painted in silver colour, complete with thermally isolated control gear housing.
- Silicon rubber gasket.
- Input of the power cable through cable gland type PG 13,5 anti-tear IP68.
- Tempered safety glass suitable for high temperature, thermal shocks and crashes (6 joules).
- Bracket made of galvanized painted steel with index for vertical orientation.
- The removable control gear plate is made out of galvanized steel sheet for insulation Class I and of injection of selfextinguish thermoplastic material for insulation Class II.
- Insulating class II with disconnecting switch for supply line break when the cover is open.
- The floodlights are in accordance with regulations EN 60598-1 and EN 60598-2-5.
- Connection for operation on 230V-50Hz with conventional control gear and power factor correction capacitor.
- Wind exposed surface = 0,17 m<sup>2</sup> (with vertical addressing 70°).

MACH 5

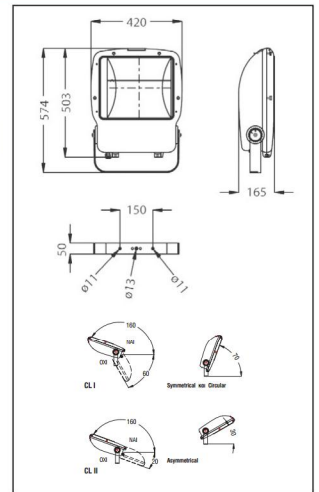
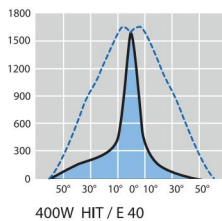
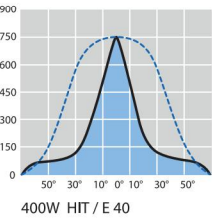
MACH 5 - Symmetrical



CE	F	IP 66
HIT	HST	
OSRAM HQI-T/NSI PHILIPS HPI-T PLUS	OSRAM HST / E40 PHILIPS SON-T	

- Symmetrical reflector from anodised high purity aluminum, peened for wide and medium-wide beam and specular for medium-narrow beam.

Code	Description
<i>For metal halide lamp</i>	
OSRAM HQI-T/NSI, PHILIPS HPI-T PLUS, SYLVANIA HSI-THX	
<b>Wide beam</b>	
713532	1x250P HIT / E40
713552	1x400P HIT / E40
<b>Narrow beam</b>	
713832	1x250P HIT / E40
713852	1x400P HIT / E40
<i>For high pressure sodium lamp</i>	
<b>Wide beam</b>	
713522	1x250W HST / E40
713562	1x400W HST / E40
<b>Narrow beam</b>	
713822	1x250W HST / E40
713862	1x400W HST / E40



Note: The preceding luminaires are also available in class II.

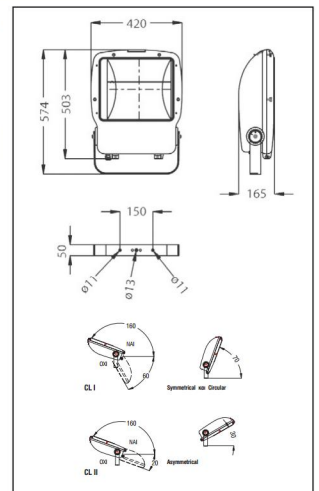
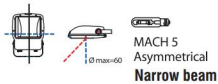
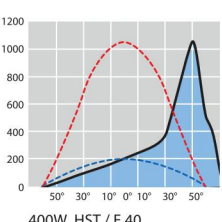
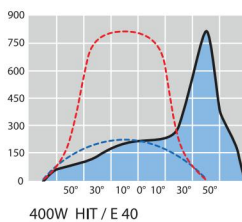
MACH 5 - Asymmetrical



CE	F	IP 66
HIT	HST	
OSRAM HQI-T/NSI PHILIPS HPI-T PLUS	OSRAM HST / E40 PHILIPS SON-T	

- Asymmetrical reflector from anodised high purity aluminum, peened for wide beam and specular for narrow beam.

Code	Description
<i>For metal halide lamp 250-400W</i>	
OSRAM HQI-T/NSI, PHILIPS HPI-T PLUS, SYLVANIA HSI-THX	
<b>Wide beam</b>	
713932	1x250P HIT / E40
713952	1x400P HIT / E40
<b>Narrow beam</b>	
714132	1x250P HIT / E40
714152	1x400P HIT / E40
<i>For high pressure sodium lamp</i>	
<b>Wide beam</b>	
713922	1x250W HST / E40
713962	1x400W HST / E40
<b>Narrow beam</b>	
714122	1x250W HST / E40
714162	1x400W HST / E40



Note: The preceding luminaires are also available in class II.

Colour Codes:

- 1 White
- 2 Titan
- 3 Black

MACH 5

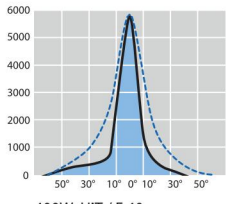
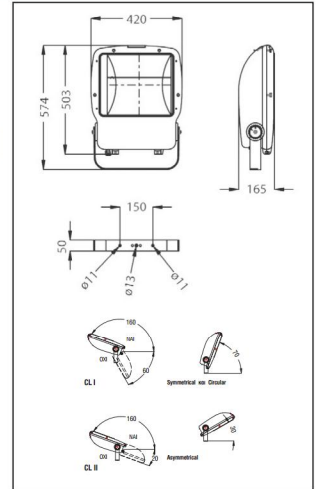
MACH 5 - Circular



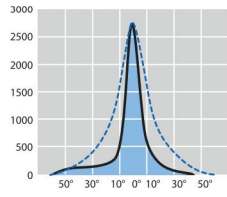
CE	F	ELC	IP 66
HIT	HST		
OSRAM HQI-T/NSI PHILIPS HPI-T PLUS	OSRAM HMI-T PHILIPS SON-T		

- Circular reflector (with baffle to avoid the direct glare) for narrow beam at highest intensity, from anodised high purity aluminum.

Code	Description
	<i>For metal halide lamp 250-400W</i>
	OSRAM HQI-T/NSI, PHILIPS HPI-T PLUS, SYLVANIA HSI-THX
714232	1x250P HIT / E40
714252	1x400P HIT / E40
	<i>For high pressure sodium lamp</i>
714222	1x250W HST / E40
714262	1x400W HST / E40



400W HIT / E 40



400W HST / E 40



Note: The preceding luminaires are also available in **class II**.

Colour Codes:

- 1 White
- 2 Titan
- 3 Black

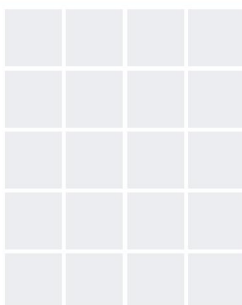




## FLOODLIGHTS

### MACH 5 - ACCESSORIES

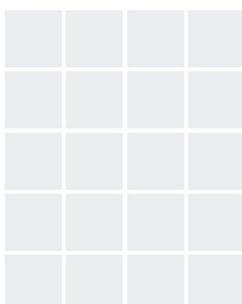
#### PROTECTION GRILLE



- Protection grille. Zinc plated and steel coated in glazed silver colour.
- Silver colour.

Code	Description	
701310	PROTECTION GRILLE	60231

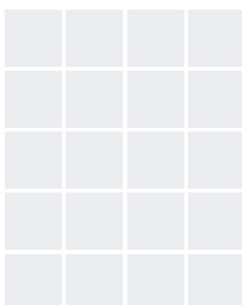
#### PROTECTION GRILLE



- Protection louvre. Stainless steel coated in glazed silver colour, for **MACH 5 symmetrical**.
- Silver colour.

Code	Description	
701416	PROTECTION LOUVRE	60232

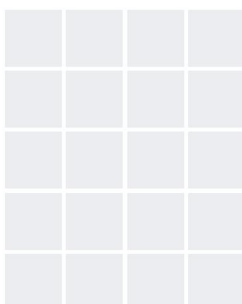
#### CIRCULAR LOUVRE



- Circular louvre. Stainless steel coated in glazed silver colour, for **MACH 5 Circular**.
- Silver colour.

Code	Description	
701417	PROTECTION LOUVRE	60233

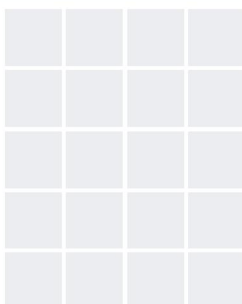
#### ANTI-GLARE LOUVRE



- Stainless steel anti-glare louvre, silver colour for the **MACH 5 symmetrical** optic.
- Silver colour.

Code	Description	
701419	ANTI-GLARE LOUVRE	60218

#### ANTI-GLARE LOUVRE

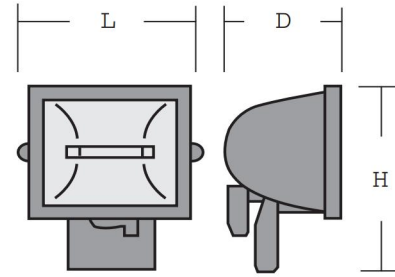


- Anti-glare louvre. Stainless steel coated in glazed silver colour for the **MACH 5 asymmetrical** optic.
- Silver colour.

Code	Description	
701418	ANTI-GLARE LOUVRE	60234

## FLOODLIGHTS

### OKAY



ΤΥΠΟΣ	D	L	H
500:	135	185	225
1000:	155	290	320
1500:	155	360	320

#### Technical Features

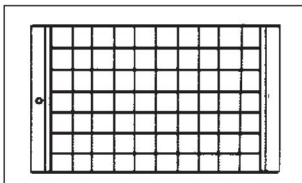
- Floodlights for halogen lamps 230V.
- Die-cast aluminium body and frame, coated with polyester powders, in selected colour.
- Symmetric reflector, made of peened aluminium sheet, characterized by a high purity degree.
- Silicon rubber gasket.
- Tempered front safety glass.
- R7s ceramic lampholder with insulated connecting cables resistant to high temperatures.
- Steel fixing bracket, in black colour.
- Black polyester connection box complete with three-pole terminal block.



Code	Description
84101	OKAY 500 1x max. 500W QT-DE 12 / R7s
841023	OKAY 1000 1x max. 1000W QT-DE 12 / R7s
841033	OKAY 1500 1x max. 1500W QT-DE 12 / R7s

### OKAY - ACCESSORIES

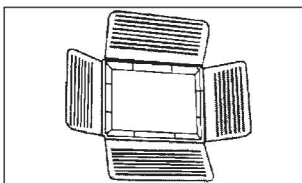
#### PROTECTION GRILLE



- Steel protection grille.
- Black colour.

Code	Description
804107	60158 for OKAY 500
804108	60165 for OKAY 1000
804111	60177 for OKAY 1500

#### ADJUSTABLE LOUVRE



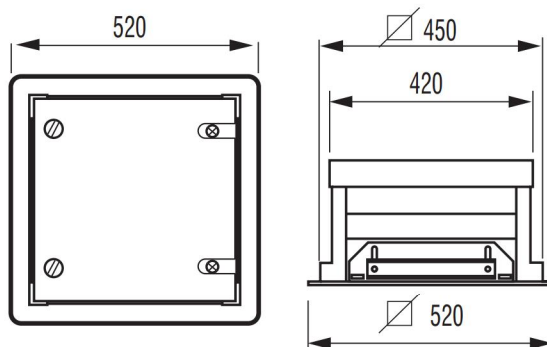
- Adjustable steel louvres for luminous flux control. Zinc plated and steel coated.
- Black colour.

Code	Description
804109	60189 for OKAY 500

#### Colour Codes:

1 White 2 Titan 3 Black

BENZ



Technical Features

**Floodlights suitable for oil stations**

- Floodlights for metal halide lamps (HIT) or high pressure sodium lamps (HST).
- Symmetric (S) or Asymmetric (A) reflector in high pure specular anodized aluminium.
- Internal vertical steel blades for glare reduction.

- Tempered front safety glass.
- Silicon rubber gasket.
- Connection for operation on 230V-50Hz with conventional control gear and power factor correction capacitor.



Code	Description
	<i>For metal halide lamp</i>
	OSRAM HQI-T/NSI, PHILIPS HPI-T PLUS, SYLVANIA HSI-THX
	<b>Symmetrical Reflector</b>
761052	BENZ-S 1x250P HIT / E40
761072	BENZ-S 1x400P HIT / E40
	<b>Asymmetrical Reflector</b>
762052	BENZ-A 1x250P HIT / E40
762072	BENZ-A 1x400P HIT / E40

**JET 1000****Technical Features**

- Floodlights for metal halide lamps (HIT) or high pressure sodium lamp (HST).
- Diecast aluminum body with primary alloy and low copper content with an high weather proof rating, electrostatically painted in black colour, complete with thermally isolated housing for the ignitor or the whole control gear when the lamp is metal halide.
- Silicon rubber gasket.
- Cable gland type PG 13,5.
- Tempered safety glass suitable for high temperature and thermal shocks.
- Bracket made of galvanized painted steel with index for vertical orientation.
- Control gear base from galvanized steel.
- The floodlights are in accordance with regulations EN 60598-1 and EN 60598-2-5.
- Wind exposed surface = 0,203 m<sup>2</sup> ( with vertical addressing 70°).
- Connection for operation on 230V-50Hz with conventional control gear and power factor correction capacitor.

Length between control gear and floodlight max.50m.

# FLOODLIGHTS

## JET 1000

### JET 1000 - Symmetrical



CE	F	IP 66
HIT	HST	
OSRAM HD 1000 PHILIPS HQI-T PLUS	OSRAM NAV-T PHILIPS SON-T	

- Symmetrical reflector from anodised high purity aluminum (with baffle to avoid the direct glare), peened for medium-wide beam and specular for medium-narrow beam.

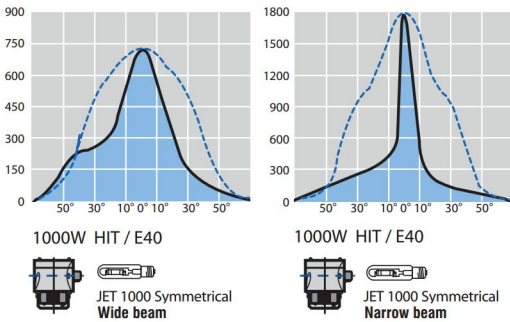
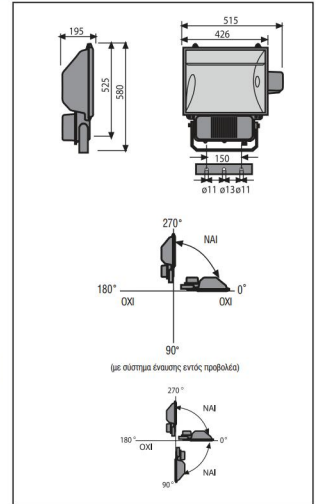
- **Note:** In the version with metal halide lamp (HIT), the ignition system can be installed either inside or outside the floodlight on a metal base. In the version with high pressure sodium lamp (HST), the ignition system is mandatory placed outside the floodlight on the same metal base as before.

There is also capacity for the ignition system to be placed in a waterproof box (cable service):

a) from diecast aluminum for **Class I** (IP65) or

b) self-extinguished thermoplastic for **Class II** (IP66).

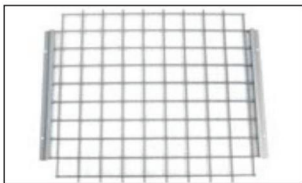
The ignitor in each case is placed within the floodlight.



Code	Description
	<b>Wide beam (50497)</b>
714913	1x1000W HIT / E40 Halogen (with integrated control gear)
FA50497	FLOODLIGHT JET 1000 SYM 50497 E40 (empty)
	<b>Narrow beam (50498)</b>
715013	1x1000W HIT / E40 Halogen (with integrated control gear)
FA50498	FLOODLIGHT JET 1000 SYM 50498 E40 (empty)

## OKAY - ACCESSORIES

### PROTECTION GRILLE



--	--	--

- Steel protection grille. Zinc plated and steel coated in black colour.

- Black colour.

Code	Description	
701308	PROTECTION GRILLE	60349

### ADJUSTABLE LOUVRE



--	--	--

- Steel protection louvre. Zinc plated and steel coated in black colour.

- Black colour.

Code	Description	
701411	PROTECTION LOUVRE	60339

Description	Type	Conventional ballast and capacitor	
		CODE	
<b>For metal halide lamp</b>			
1x1000W HIT / E40	CONTROL GEAR (in aluminium base) + Ignitor 5KV	701111	
1x1000W HIT / E40	CONTROL GEAR (in waterproof gear box) + Ignitor 5KV	701109	
<b>For high pressure sodium lamp</b>			
1x1000W HST / E40	CONTROL GEAR (in aluminium base) + Ignitor 5KV	701115	
1x1000W HST / E40	CONTROL GEAR (in waterproof gear box) + Ignitor 5KV	701113	

# FLOODLIGHTS

## JET 1000

### JET 1000 - Asymmetrical



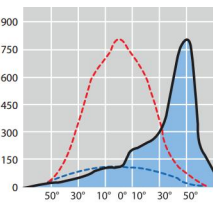
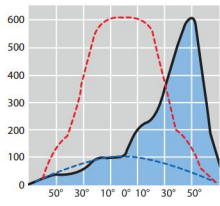
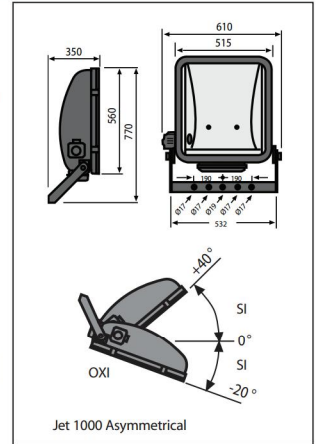
- Asymmetrical reflector from anodised high purity aluminum (with baffle to avoid the direct glare), peened for medium-wide beam and specular for medium-narrow beam.

- **Note:** The ignition system is always installed inside the floodlight on a metal base.

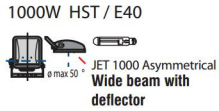
There is also capacity for the ignition system to be placed in a waterproof box (cable service):

a) from diecast aluminum for **Class I** (IP65) or  
 b) self-extinguished thermoplastic for **Class II** (IP66).

The ignitor in each case is placed within the floodlight.

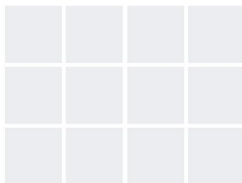
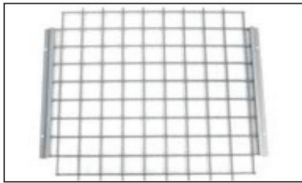


Code	Description
	<b>Wide beam (50612)</b>
FA50612	FLOODLIGHT JET 1000 ASYM 50612 E40 (empty)
	<b>Narrow beam (50613)</b>
FA50613	FLOODLIGHT JET 1000 ASYM 50613 E40 (empty)



## OKAY - ACCESSORIES

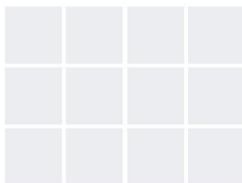
### PROTECTION GRILLE



- Steel protection grille. Zinc plated and steel coated in silver colour.

Code	Description	
701307	PROTECTION GRILLE	60050

### ADJUSTABLE LOUVRE



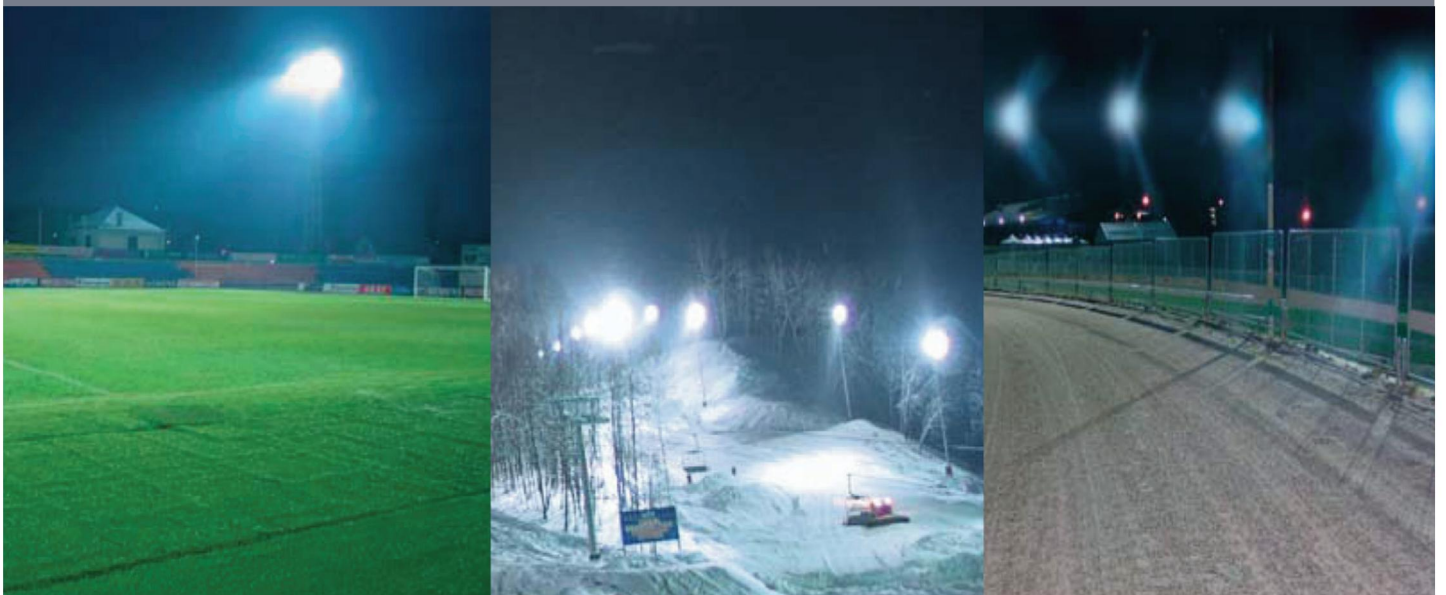
- Anti-glare louvre. Stainless steel coated in silver colour, 50° asymmetry.

- Black colour.

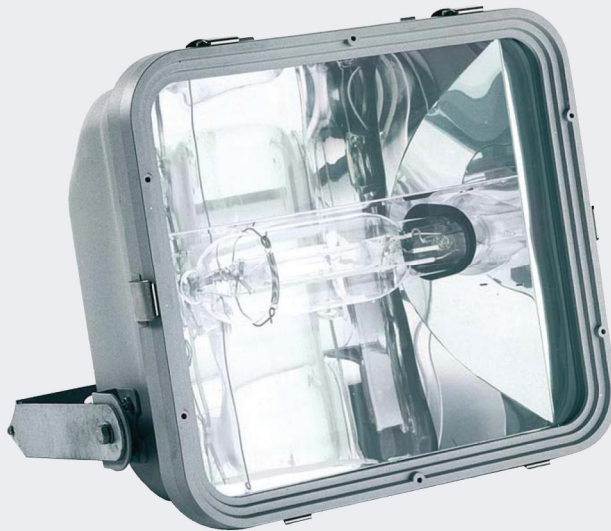
Code	Description	
701410	ANTI-GLARE LOUVRE	60093

Description	Type	Conventional ballast and capacitor	
		CODE	
<b>For metal halide lamp</b>			
1x1000W HIT / E40	CONTROL GEAR (in aluminium base) + Ignitor 5KV	701111	
1x1000W HIT / E40	CONTROL GEAR (in waterproof gear box) + Ignitor 5KV	701109	
<b>For high pressure sodium lamp</b>			
1x1000W HST / E40	CONTROL GEAR (in aluminium base) + Ignitor 5KV	701115	
1x1000W HST / E40	CONTROL GEAR (in waterproof gear box) + Ignitor 5KV	701113	

JET 1000



JET 2000



Technical Features

- Floodlights for metal halide lamps.
- Diecast aluminum body with primary alloy and low copper content with an high weather proof rating, electrostatically painted in black colour, complete with thermally isolated ignitor housing.
- Symmetrical reflector from anodised high purity aluminum (with baffle to avoid the direct glare), peened for medium-wide beam and specular for medium-narrow beam.
- Silicon rubber gasket.
- Cable gland type PG 13,5.
- Tempered safety glass suitable for high temperature, thermal shocks and crashes (6 joules).
- Bracket made of galvanized painted steel with index for vertical orientation.
- Control gear base from galvanized steel.
- The floodlights are in accordance with regulations EN 60598-1 and EN 60598-2-5.
- Wind exposed surface = 0,270 m<sup>2</sup> (with vertical addressing 70°).

- Connection for operation on 230V-50Hz with conventional control gear and power factor correction capacitor.

Length between control gear and floodlight max.50m.

**Note:** The ignition system is always installed inside the floodlight on a metal base.

There is also capacity for the ignition system to be placed in a waterproof box (cable service):

- a) from diecast aluminum for **Class I** (IP65) or
- b) self-extinguished thermoplastic for **Class II** (IP66).

The ignitor in each case is placed within the floodlight.



# FLOODLIGHTS

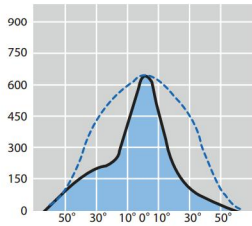
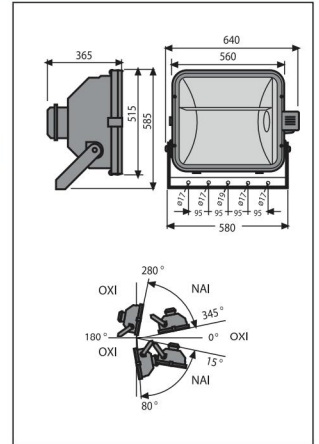
## JET 2000

### JET 2000 - Symmetrical

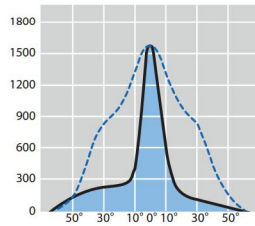


OSRAM: HQI-T/D/I  
OSRAM: HQI-T/N/E SUPER
OSRAM: HQI-T/N/SN SUPER  
PHILIPS: HPI-T

Code	Description
<b>Wide beam</b>	
FA50602	FLOODLIGHT JET 2000 SYM 50602 E40 (empty)
<b>Narrow beam</b>	
FA50603	FLOODLIGHT JET 2000 SYM 50603 E40 (empty)



2000W HIT / E40

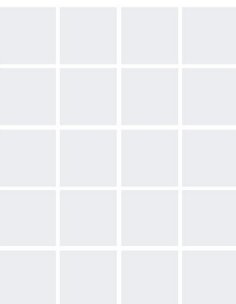
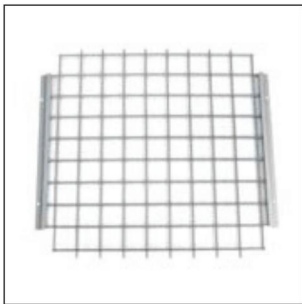


2000W HIT / E40



## OKAY - ACCESSORIES

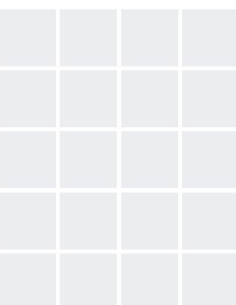
### PROTECTION GRILLE



- Steel protection grille. Zinc plated and steel coated in silver colour.

Code	Description	
701307	PROTECTION GRILLE	60050

### ADJUSTABLE LOUVRE



- Steel protection louvre. Zinc plated and steel coated in silver colour

Code	Description	
701409	PROTECTION LOUVRE	60051

Description	Type	Conventional ballast and capacitor	
		CODE	
<b>For metal halide lamp</b>			
1x2000W HIT / E40 Osram: HQI-T/D/I	CONTROL GEAR 10,3A (in aluminium base)	701124	
1x2000W HIT / E40 Osram: HQI-T/D/I	CONTROL GEAR 10,3A (in waterproof gear box)	701120	
1x2000W HIT / E40 Osram: HQI-T/N/E SUPER	CONTROL GEAR 8,8A (in aluminium base) + Ignitor 5KV	701121	
1x2000W HIT / E40 Osram: HQI-T/N/E SUPER	CONTROL GEAR 8,8A (in waterproof gear box) + Ignitor 5KV	701117	
1x2000W HIT / E40 Osram: HQI-T/N/SN SUPER	CONTROL GEAR 8,8A (in aluminium base) + Ignitor 1,2 KV	701122	
1x2000W HIT / E40 Philips: HPI-T, Sylvania: HSI-T/S/4K	CONTROL GEAR 8,8A (in waterproof gear box) + Ignitor 1,2 KV	701118	

**LIGHTMASTER 1000****Technical Features**

- Floodlights for metal halide lamps.
- Diecast aluminum body with primary alloy and low copper content with an high weather proof rating, electrostatically painted in silver colour, complete with thermally isolated housing for the ignitor or the whole control gear.
- Tempered safety glass resistant to high temperatures and to thermal shock.
- Anti-ageing gaskets in silicon rubber.
- Hot deep galvanized sheet steel fixing bracket with index for vertical orientation.
- Teflon filter for decompressing the luminaire.
- For Class II and some versions of Class I, electrical safety switch disconnects the main power supply for lamp change and luminaire maintenance.
- The floodlights are in accordance with regulations EN 60598-1 and EN 60598-2-5.
- Wind exposed surface = 0,2160 m<sup>2</sup> (with vertical addressing 70°).

- Connection for operation on 230V-50Hz with conventional control gear and power factor correction capacitor.

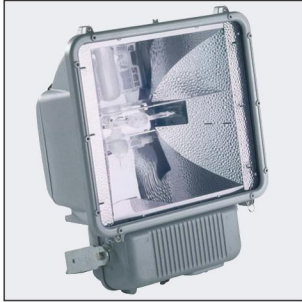
Length between control gear and floodlight max.50m.

**Note:** The ignition system is always installed inside the floodlight on a metal base.  
There is also capacity for the ignition system to be placed in a waterproof box (cable service):  
a) from diecast aluminum for **Class I** (IP65) or  
b) self-extinguished thermoplastic for **Class II** (IP66).  
The ignitor in each case is placed within the floodlight.

**Upon request:**  
Hot Restrike version available for short arc lamps.

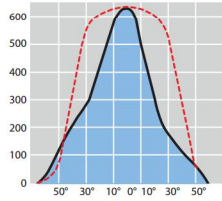
LIGHTMASTER 1000

LIGHTMASTER 1000 - Symmetrical



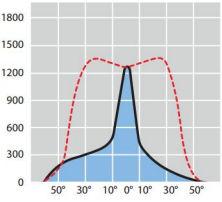
CE	F	IP 66	
HIT	HST	HIT-DE	HIT-DE
OSRAM HQI-T/100 PHILIPS HQI-T/FLUO	OSRAM NAV-T PHILIPS SONA-T	OSRAM HQI-TS / K12s-36	PHILIPS MHN-LA / X528

- Symmetrical reflector (with baffle to avoid the direct glare), peened for medium-wide beam and specular for medium-narrow beam, from anodised high purity aluminum.



1000W HIT-DE / K12s-36

short arc  
LIGHTMASTER 1000  
Symmetrical  
Wide beam



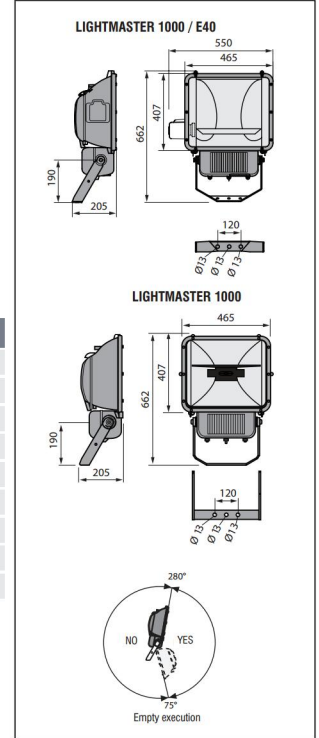
1000W HIT / E40

LIGHTMASTER 1000 E40  
Symmetrical  
Narrow beam

Code	Description	
<b>Wide beam</b>		
FA70836	FLOODLIGHT LIGHTMASTER 1000 SYM - HIT or HST /E40	70836 (empty with ignitor)
FA70512	FLOODLIGHT LIGHTMASTER 1000 SYM - K12s-36 Osram	70512 (empty with ignitor)
FA70518	FLOODLIGHT LIGHTMASTER 1000 SYM - X528 Philips	70518 (empty with ignitor)
<b>Narrow beam</b>		
FA70837	FLOODLIGHT LIGHTMASTER 1000 SYM - HIT or HST /E40	70837 (empty with ignitor)
FA70511	FLOODLIGHT LIGHTMASTER 1000 SYM - K12s-36 Osram	70511 (empty with ignitor)
FA70517	FLOODLIGHT LIGHTMASTER 1000 SYM - X528 Philips	70517 (empty with ignitor)

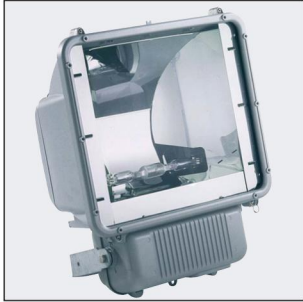
1000W HIT-DE / K12s-36: OSRAM (short arc) HQI-TS 1000/NDL/S, HQI-TS 1000/D/S  
1000W HIT-DE / X528: PHILIPS (long arc) MHN-LA 1000W/842, MHN-LA 1000W/956

Note: The preceding luminaires are also available in **class II**.



LIGHTMASTER 1000

LIGHTMASTER 1000 - Asymmetrical



CE	F	IP 66	
HIT	HST	HIT-DE	HIT-DE
OSRAM HD-1102 PHILIPS HP-T FLEU	OSRAM NAV-T PHILIPS SONA-T	OSRAM HSL-TS / K12s-36	PHILIPS MHN-LA / X528

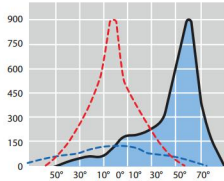
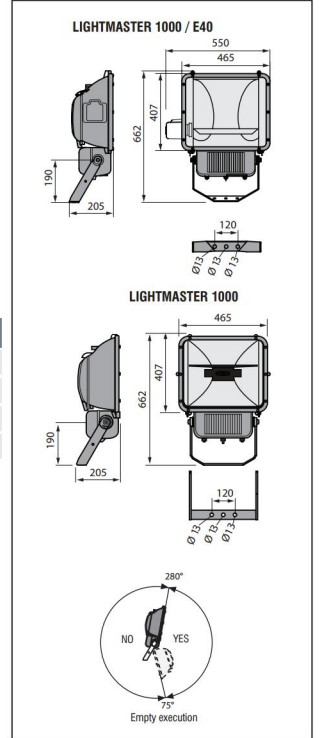
- Asymmetrical reflector from anodised high purity aluminum, supplied with specular reflector with a narrow beam made in high purity aluminium for high reflectance and efficiency with or without flux reflector skirt.



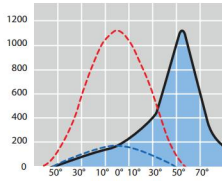
Code	Description
<b>Narrow beam</b>	
FA70838	FLOODLIGHT LIGHTMASTER 1000 ASYM - HIT or HST /E40 70838 (empty with ignitor)
FA70711	FLOODLIGHT LIGHTMASTER 1000 ASYM - K12s-36 Osram 70711 (empty with ignitor)
FA70717	FLOODLIGHT LIGHTMASTER 1000 ASYM - X528 Philips 70717 (empty with ignitor)

1000W HIT-DE / K12s-36: OSRAM (short arc) HQI-TS 1000/NDL/S, HQI-TS 1000/D/S  
 1000W HIT-DE / X528: PHILIPS (long arc) MHN-LA 1000W/842, MHN-LA 1000W/956

Note: The preceding luminaires are also available in **class II**.



1000W HIT-DE / K12s-36 short arc  
 LIGHTMASTER 1000 Asymmetrical with Anti-glare Louvre Wide beam



1000W HST / E40  
 LIGHTMASTER 1000 E40 Asymmetrical with Anti-glare Louvre Wide beam

# FLOODLIGHTS

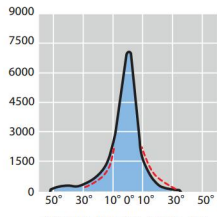
## LIGHTMASTER 1000

### LIGHTMASTER 1000 - Circular

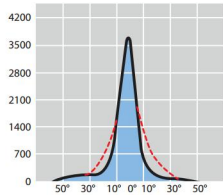


CE	F		IP 66
HIT	HST	HIT-DE	HIT-DE
OSRAM HIT-1000 PHILIPS HV-T PLUS	OSRAM NAV-T PHILIPS SONA-T	OSRAM HSI-TS / K12s-36	PHILIPS MHN-LA / X528

- High intensity circular reflector, type C1, C2, C3, C4, C5 (with baffle to avoid the direct glare), from anodised high purity aluminium.



1000W HIT-DE / K12s-36  
 short arc  
LIGHTMASTER 1000  
Circular C1

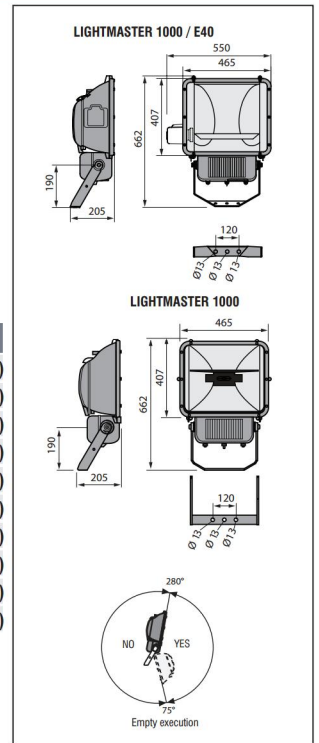


1000W HIT / E40  
 LIGHTMASTER 1000 E40  
Circular

Code	Description	
FA70839	FLOODLIGHT LIGHTMASTER 1000 CIRC - HIT or HST / E40	<b>70839</b> (empty with ignitor)
FA70581	FLOODLIGHT LIGHTMASTER 1000 CIRC - K12s-36 Osram	<b>70581 C1</b> (empty with ignitor)
FA70582	FLOODLIGHT LIGHTMASTER 1000 CIRC - K12s-36 Osram	<b>70582 C2</b> (empty with ignitor)
FA70583	FLOODLIGHT LIGHTMASTER 1000 CIRC - K12s-36 Osram	<b>70583 C3</b> (empty with ignitor)
FA70584	FLOODLIGHT LIGHTMASTER 1000 CIRC - K12s-36 Osram	<b>70584 C4</b> (empty with ignitor)
FA70585	FLOODLIGHT LIGHTMASTER 1000 CIRC - K12s-36 Osram	<b>70585 C5</b> (empty with ignitor)
FA70592	FLOODLIGHT LIGHTMASTER 1000 CIRC - X528 Philips	<b>70592 C2</b> (empty with ignitor)
FA70593	FLOODLIGHT LIGHTMASTER 1000 CIRC - X528 Philips	<b>70593 C3</b> (empty with ignitor)
FA70594	FLOODLIGHT LIGHTMASTER 1000 CIRC - X528 Philips	<b>70594 C4</b> (empty with ignitor)
FA70595	FLOODLIGHT LIGHTMASTER 1000 CIRC - X528 Philips	<b>70595 C5</b> (empty with ignitor)

1000W HIT-DE / K12s-36: OSRAM (short arc) HQI-TS 1000/NDL/S, HQI-TS 1000/D/S  
1000W HIT-DE / X528: PHILIPS (long arc) MHN-LA 1000W/842, MHN-LA 1000W/956

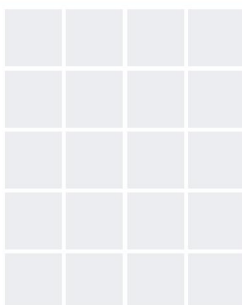
Note: The preceding luminaires are also available in **class II**.



Description	Type	Conventional ballast and capacitor	
		CODE	
<b>For metal halide lamp</b>			
1x1000W HIT / E40, HIT-DE / K12s-36 Osram, HIT-DE / X528 Philips	CONTROL GEAR (in aluminium base)	701112	
1x1000W HIT / E40, HIT-DE / K12s-36 Osram, HIT-DE / X528 Philips	CONTROL GEAR (in waterproof gear box)	701110	
<b>For high pressure sodium lamp</b>			
1x1000W HST / E40	CONTROL GEAR (in aluminium base)	701116	
1x1000W HST / E40	CONTROL GEAR (in waterproof gear box)	701114	

LIGHTMASTER 1000 - ACCESSORIES

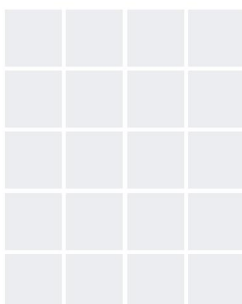
PROTECTION GRILLE



- Steel protection grille. Zinc plated and steel coated in silver colour for **LIGHTMASTER 1000 & LIGHTMASTER 1000 / E40**.
- Silver colour.

Code	Description	
701305	PROTECTION GRILLE	60290

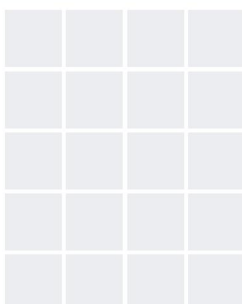
PROTECTION GRILLE



- Safety stainless steel grid for **LIGHTMASTER 1000**.

Code	Description	
701306	PROTECTION GRILLE	60292

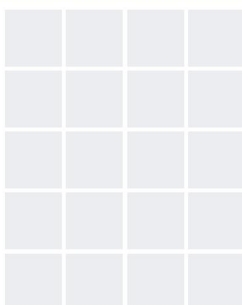
ANTI-GLARE LOUVRE



- Steel anti-glare louvre. Zinc plated and steel coated in silver colour **LIGHTMASTER 1000 Symmetrical**.
- Silver colour.

Code	Description	
701408	ANTI-GLARE LOUVRE	60294

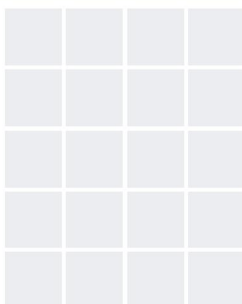
ANTI-GLARE LOUVRE



- Circular louvre. Stainless steel coated in silver colour for **LIGHTMASTER 1000 Circular & LIGHTMASTER 1000 Circular / E40**.
- Silver colour.

Code	Description	
701406	CIRCULAR LOUVRE	60291

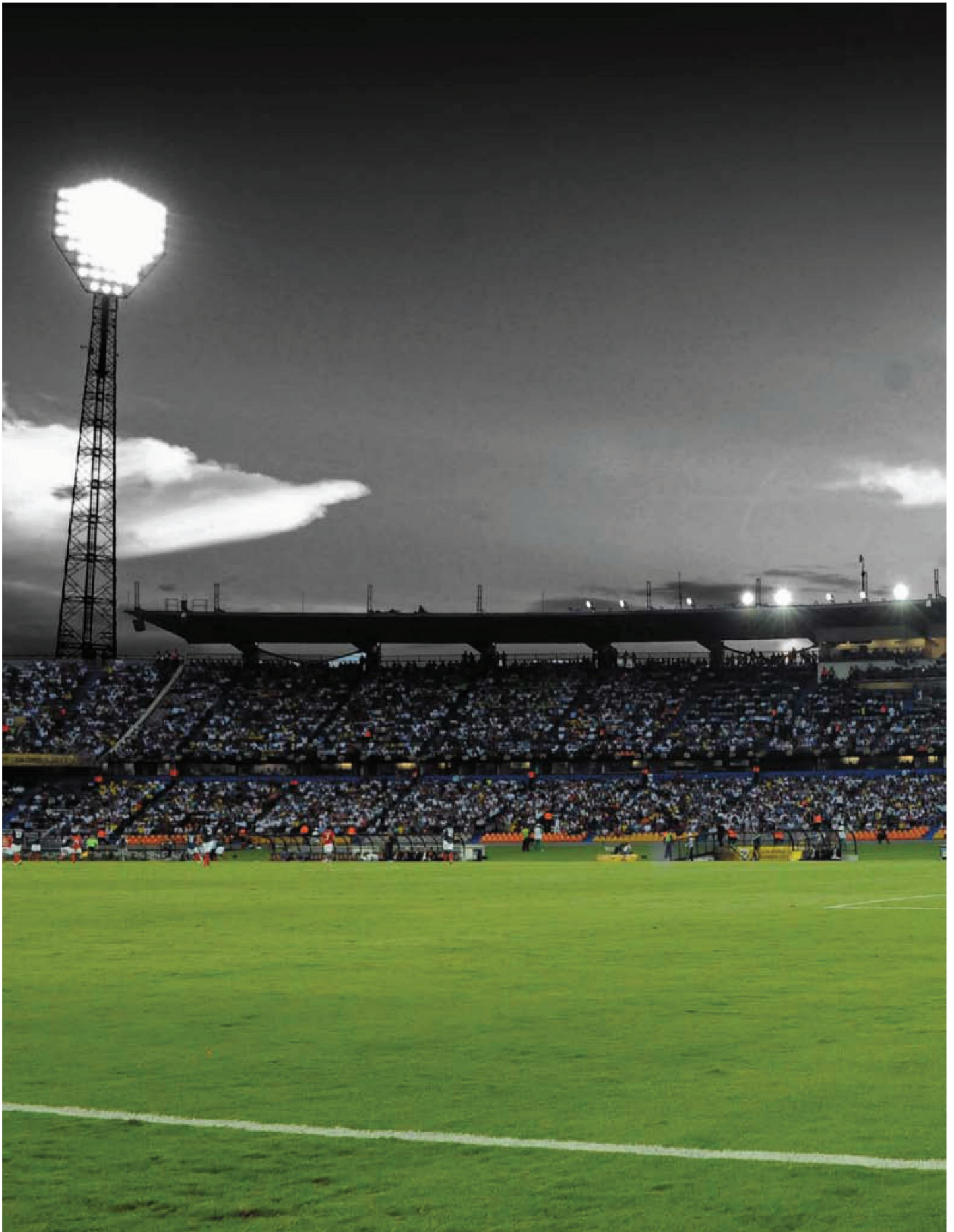
ANTI-GLARE LOUVRE

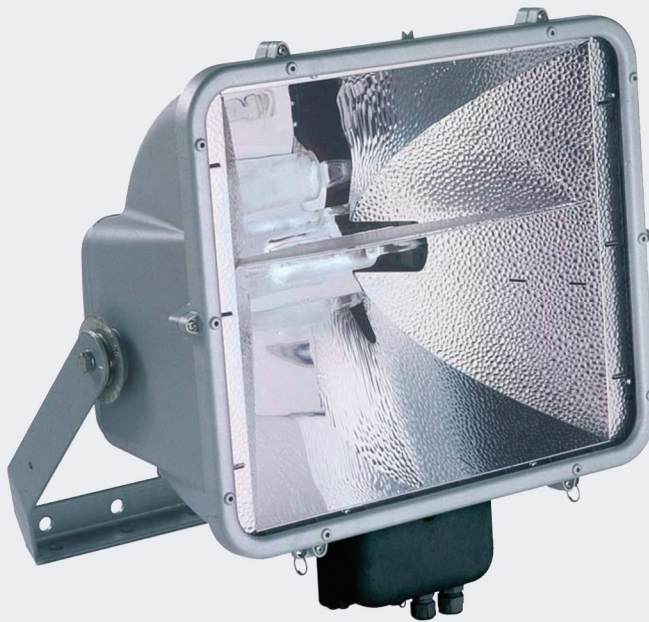


- Anti-glare louvre. Stainless steel coated in silver colour **LIGHTMASTER 1000 Asymmetrical & LIGHTMASTER 1000 Asymmetrical / E40**.
- Silver colour.

Code	Description	
701448	ANTI-GLARE LOUVRE	60137 for <b>LM 1000 ASYM</b> / E40
701407	ANTI-GLARE LOUVRE	60293 for <b>LM 1000 ASYM</b> / K12s-36 or X528

LIGHTMASTER 2000



**LIGHTMASTER 2000****Technical Features**

- Floodlights for metal halide lamps.
- Diecast aluminum body with primary alloy and low copper content with an high weather proof rating, electrostatically painted in silver colour.
- Tempered safety glass resistant to thermal shock.
- Anti-ageing gaskets in silicon rubber.
- Hot deep galvanized sheet steel fixing bracket with index for vertical orientation.
- Teflon filter for decompressing the luminaire.
- For Class II and some versions of Class I, electrical safety switch disconnects the main power supply for lamp change and luminaire maintenance.
- The floodlights are in accordance with regulations EN 60598-1 and EN 60598-2-5.

- Connection for operation on 230V-50Hz with conventional control gear and power factor correction capacitor.
- Wind exposed surface = 0,2540 m<sup>2</sup> (with vertical addressing 70°).

Length between control gear and floodlight max.50m.

Note: The ignition system is always installed inside the floodlight on a metal base.

There is also capacity for the ignition system to be placed in a waterproof box (cable service):

- a) from diecast aluminum for Class I (IP65) or
- b) self-extinguished thermoplastic for Class II (IP66).

The ignitor in each case is placed within the floodlight.

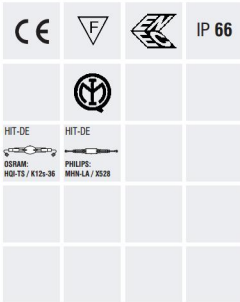
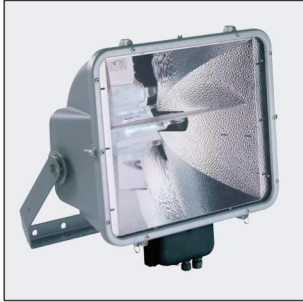
**Upon request:**

Hot Restrike version available for short arc lamps.

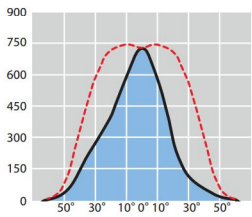
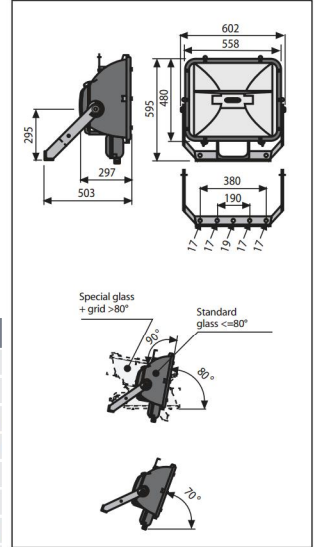


LIGHTMASTER 2000

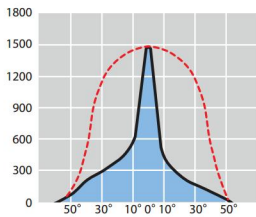
LIGHTMASTER 2000 - Symmetrical



- Symmetrical reflector (with baffle to avoid the direct glare), peened for wide beam and specular for narrow beam, from anodised high purity aluminum.



2000W HIT-DE  
 LIGHTMASTER 2000 Symmetrical Wide beam



2000W HIT-DE  
 LIGHTMASTER 2000 Symmetrical Narrow beam

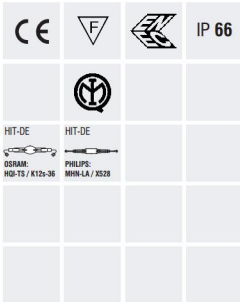
Code	Description
<b>Wide beam</b>	
FA70012	FLOODLIGHT LIGHTMASTER 2000 SYM / K12s-36 (short arc OSRAM) 70012 (empty with ignitor)
FA70015	FLOODLIGHT LIGHTMASTER 2000 SYM / K12s-36 (long arc OSRAM) 70015 (empty with ignitor)
FA70018	FLOODLIGHT LIGHTMASTER 2000 SYM / X528 (long arc PHILIPS) 70018 (empty with ignitor)
<b>Narrow beam</b>	
FA70011	FLOODLIGHT LIGHTMASTER 2000 SYM / K12s-36 (short arc OSRAM) 70011 (empty with ignitor)
FA70014	FLOODLIGHT LIGHTMASTER 2000 SYM / K12s-36 (long arc OSRAM) 70014 (empty with ignitor)
FA70017	FLOODLIGHT LIGHTMASTER 2000 SYM / X528 (long arc PHILIPS) 70017 (empty with ignitor)

2000W HIT-DE / K12s-36: OSRAM (short arc HQI-TS 2000/D/S - long arc HQI-TS 2000/N/L)  
 2000W HIT-DE / X528: PHILIPS (long arc) MHN-LA 2000W/842, MHN-LA 2000W/956

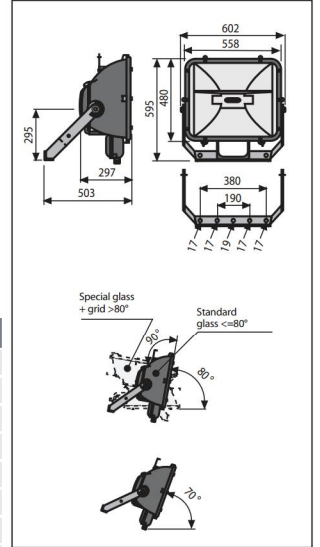
Note: The preceding luminaires are also available in **class II**.

LIGHTMASTER 2000

LIGHTMASTER 2000 - Asymmetrical



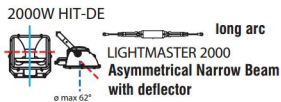
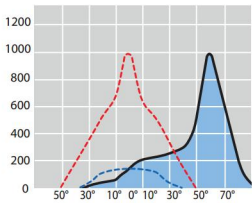
- Asymmetrical reflector (with baffle to avoid the direct glare), peened for wide beam and specular for narrow beam, from anodised high purity aluminum.



Code	Description
<b>Wide beam (with deflector)</b>	
FA70048	FLOODLIGHT LIGHTMASTER 2000 ASYM / X528 (long arc PHILIPS) 70048 (empty with ignitor)
<b>Wide beam (without deflector)</b>	
FA70212	FLOODLIGHT LIGHTMASTER 2000 ASYM / K12s-36 (short arc OSRAM) 70212 (empty with ignitor)
FA74672	FLOODLIGHT LIGHTMASTER 2000 ASYM / K12s-36 (long arc OSRAM) 74672 (empty with ignitor)
<b>Narrow beam (with deflector)</b>	
FA70041	FLOODLIGHT LIGHTMASTER 2000 ASYM / K12s-36 (short arc OSRAM) 70041 (empty with ignitor)
FA70044	FLOODLIGHT LIGHTMASTER 2000 ASYM / K12s-36 (long arc OSRAM) 70044 (empty with ignitor)
FA70047	FLOODLIGHT LIGHTMASTER 2000 ASYM / X528 (long arc PHILIPS) 70047 (empty with ignitor)
<b>Narrow beam (without deflector)</b>	
FA70211	FLOODLIGHT LIGHTMASTER 2000 ASYM / K12s-36 (short arc OSRAM) 70211 (empty with ignitor)
FA74651	FLOODLIGHT LIGHTMASTER 2000 ASYM / K12s-36 (short arc OSRAM) 74651 (empty with ignitor)
FA70214	FLOODLIGHT LIGHTMASTER 2000 ASYM / K12s-36 (long arc OSRAM) 70214 (empty with ignitor)
FA74671	FLOODLIGHT LIGHTMASTER 2000 ASYM / K12s-36 (long arc OSRAM) 74671 (empty with ignitor)
FA70217	FLOODLIGHT LIGHTMASTER 2000 ASYM / X528 (long arc PHILIPS) 70217 (empty with ignitor)

2000W HIT-DE / K12s-36: OSRAM (short arc HQI-TS 2000/D/S - long arc HQI-TS 2000/N/L)  
 2000W HIT-DE / X528: PHILIPS (long arc) MHN-LA 2000W/842, MHN-LA 2000W/956

Note: The preceding luminaires are also available in **class II**.

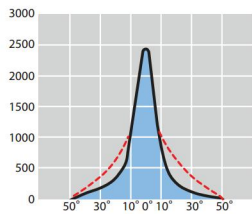
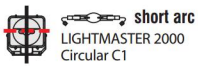
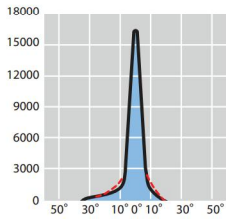
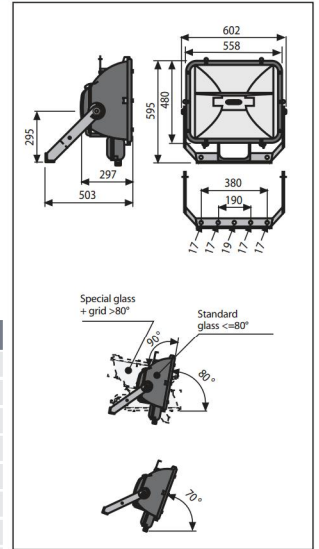


LIGHTMASTER 2000

LIGHTMASTER 2000 - Circular



- High intensity circular reflector (with baffle to avoid the direct glare), type C1, C2, C3, C4, C5, C6 for short arc lamps and C1, C2, C4 for long arc lamps, from anodised high purity aluminum.



Code	Description
FA70121	FLOODLIGHT LIGHTMASTER 2000 CIRC / K12s-36 (short arc OSRAM) 70121 R1 (empty with ignitor)
FA70122	FLOODLIGHT LIGHTMASTER 2000 CIRC / K12s-36 (short arc OSRAM) 70122 R2 (empty with ignitor)
FA70123	FLOODLIGHT LIGHTMASTER 2000 CIRC / K12s-36 (short arc OSRAM) 70123 R3 (empty with ignitor)
FA70124	FLOODLIGHT LIGHTMASTER 2000 CIRC / K12s-36 (short arc OSRAM) 70124 R4 (empty with ignitor)
FA70125	FLOODLIGHT LIGHTMASTER 2000 CIRC / K12s-36 (short arc OSRAM) 70125 R5 (empty with ignitor)
FA70126	FLOODLIGHT LIGHTMASTER 2000 CIRC / K12s-36 (short arc OSRAM) 70126 R6 (empty with ignitor)
FA70127	FLOODLIGHT LIGHTMASTER 2000 CIRC / K12s-36 (short arc OSRAM) 70127 R7 (empty with ignitor)
FA70128	FLOODLIGHT LIGHTMASTER 2000 CIRC / K12s-36 (short arc OSRAM) 70128 R8 (empty with ignitor)
FA70129	FLOODLIGHT LIGHTMASTER 2000 CIRC / K12s-36 (short arc OSRAM) 70129 R9 (empty with ignitor)
FA70251	FLOODLIGHT LIGHTMASTER 2000 CIRC / K12s-36 (long arc OSRAM) 70251 R1 (empty with ignitor)
FA70252	FLOODLIGHT LIGHTMASTER 2000 CIRC / K12s-36 (long arc OSRAM) 70252 R2 (empty with ignitor)
FA70253	FLOODLIGHT LIGHTMASTER 2000 CIRC / K12s-36 (long arc OSRAM) 70253 R5 (empty with ignitor)
FA70256	FLOODLIGHT LIGHTMASTER 2000 CIRC / X528 (long arc PHILIPS) 70256 R1 (empty with ignitor)
FA70257	FLOODLIGHT LIGHTMASTER 2000 CIRC / X528 (long arc PHILIPS) 70257 R2 (empty with ignitor)
FA70258	FLOODLIGHT LIGHTMASTER 2000 CIRC / X528 (long arc PHILIPS) 70258 R5 (empty with ignitor)

2000W HIT-DE / K12s-36: OSRAM (short arc HQI-TS 2000/D/S - long arc HQI-TS 2000/N/L)  
2000W HIT-DE / X528: PHILIPS (long arc) MHN-LA 2000W/842, MHN-LA 2000W/956

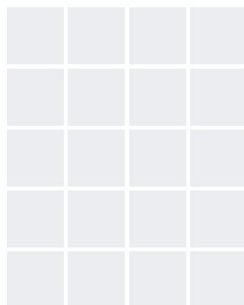
Note: The preceding luminaires are also available in class II.

DESCRIPTION	Type	Conventional ballast and capacitor	
		CODE	
<b>For metal halide lamp</b>			
1x2000W HIT-DE / K12s-36 Osram HIT-DE / X528 Philips	CONTROL GEAR (in aluminium base)	701124	
1x2000W HIT-DE / K12s-36 Osram HIT-DE / X528 Philips	CONTROL GEAR (in waterproof gear box)	701120	

## FLOODLIGHTS

### LIGHTMASTER 2000 - ACCESSORIES

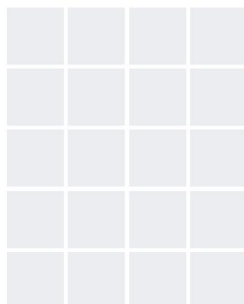
#### PROTECTION GRILLE



- Steel protection grille. Zinc plated and steel coated in silver colour.
- Silver colour.

Code	Description	
701303	PROTECTION GRILLE	60286

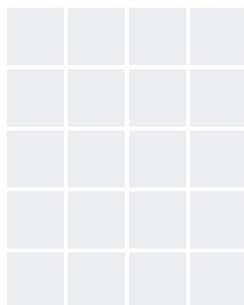
#### PROTECTION GRILLE



- Safety stainless steel grid.

Code	Description	
701304	PROTECTION GRILLE	60288

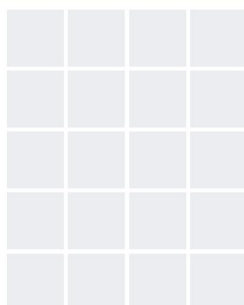
#### ANTI-GLARE LOUVRE



- Steel anti-glare louvre. Zinc plated and steel coated in silver colour **LIGHTMASTER 2000 Symmetrical.**
- Silver colour.

Code	Description	
701405	PROTECTION GRILLE	60289

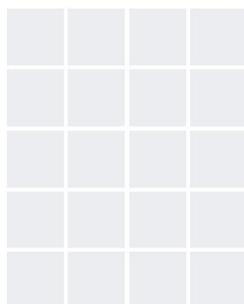
#### CIRCULAR LOUVRE



- Circular louvre. Stainless steel coated in silver colour for **LIGHTMASTER 2000 Circular.**
- Silver colour.

Code	Description	
701403	CIRCULAR LOUVRE	60285

#### ANTI-GLARE LOUVRE



- Anti-glare louvre. Stainless steel coated in silver colour **LIGHTMASTER 2000 Asymmetrical.**
- Silver colour.

Code	Description	
701404	ANTI-GLARE LOUVRE	60287

LIGHTMASTER ONE 1000



LIGHTMASTER ONE 1000 / 2000



Technical Features

- Floodlights for metal halide lamps.
- Diecast aluminum body with primary alloy and low copper content with an high weather proof rating, electrostatically painted in silver colour.
- Tempered safety glass resistant to thermal shock.
- Anti-ageing gaskets in silicon rubber.
- Hot deep galvanized sheet steel fixing bracket with index for vertical orientation.
- Teflon filter for decompressing the luminaire.
- For Class II and some versions of Class I, electrical safety switch disconnects the main power supply for lamp change and luminaire maintenance.
- The floodlights are in accordance with regulations EN 60598-1 and EN 60598-2-5.

- Connection for operation on 230V-50Hz with conventional control gear and power factor correction capacitor.
- Wind exposed surface = 0,20 m<sup>2</sup> (with vertical addressing 70°).

**Note:** The ignition system is always installed inside the floodlight on a metal base.  
There is also capacity for the ignition system to be placed in a waterproof box (cable service):  
a) from diecast aluminum for **Class I** (IP65) or  
b) self-extinguished thermoplastic for **Class II** (IP66).  
The ignitor in each case is placed within the floodlight.

Length between control gear and floodlight max.50m.

**Upon request:**  
Hot Restrike version available for short arc lamps.

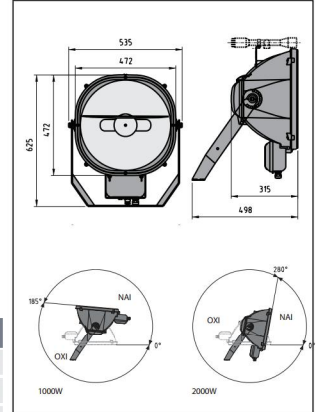
# FLOODLIGHTS

## LIGHTMASTER ONE 1000 / 2000

### LIGHTMASTER 1000 - Symmetrical



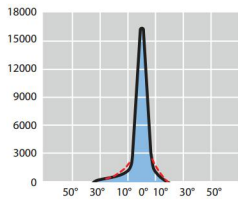
- High intensity circular reflector (with baffle to avoid the direct glare), type C1, C2, C3, C4, C5, C6 for short arc lamps.



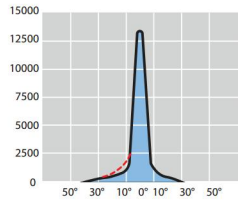
Code	Description
FA75281	FLOODLIGHT LIGHTMASTER ONE 1000 / K12s-36 (short arc) 75281 <b>R1 (empty with ignitor)</b>
FA75282	FLOODLIGHT LIGHTMASTER ONE 1000 / K12s-36 (short arc) 75282 <b>R2 (empty with ignitor)</b>
FA75283	FLOODLIGHT LIGHTMASTER ONE 1000 / K12s-36 (short arc) 75283 <b>R3 (empty with ignitor)</b>
FA75284	FLOODLIGHT LIGHTMASTER ONE 1000 / K12s-36 (short arc) 75284 <b>R4 (empty with ignitor)</b>
FA75285	FLOODLIGHT LIGHTMASTER ONE 1000 / K12s-36 (short arc) 75285 <b>R5 (empty with ignitor)</b>
FA75286	FLOODLIGHT LIGHTMASTER ONE 1000 / K12s-36 (short arc) 75286 <b>R6 (empty with ignitor)</b>
FA75287	FLOODLIGHT LIGHTMASTER ONE 1000 / K12s-36 (short arc) 75287 <b>R7 (empty with ignitor)</b>
FA75288	FLOODLIGHT LIGHTMASTER ONE 1000 / K12s-36 (short arc) 75288 <b>R8 (empty with ignitor)</b>
FA75289	FLOODLIGHT LIGHTMASTER ONE 1000 / K12s-36 (short arc) 75289 <b>R9 (empty with ignitor)</b>

1000W HIT-DE / K12s-36: OSRAM (short arc) HQI-TS 1000/NDL/S, HQI-TS 1000/D/S

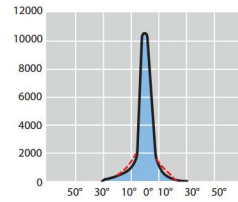
Note: The preceding luminaires are also available in **class II**.



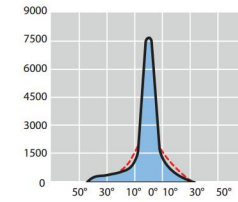
MD 2000W ad arco corto Osram



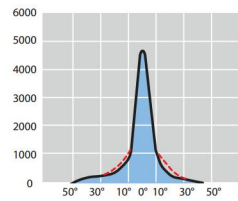
MD 2000W ad arco corto Osram



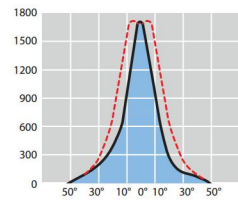
MD 2000W ad arco corto Osram



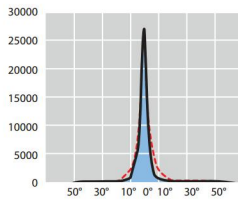
MD 2000W ad arco corto Osram



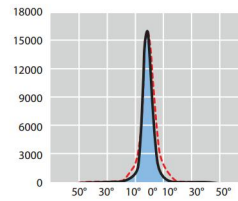
MD 2000W ad arco corto Osram



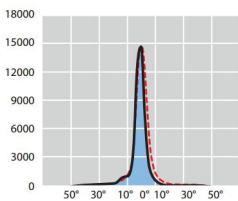
MD 2000W ad arco corto Osram



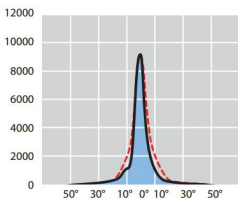
MD 2000W ad arco corto Philips



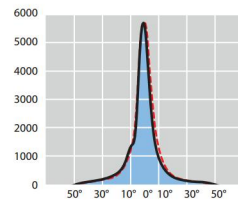
MD 2000W ad arco corto Philips



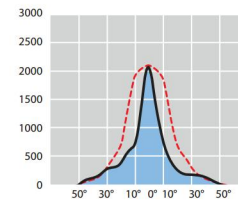
MD 2000W ad arco corto Philips



MD 2000W ad arco corto Philips



MD 2000W ad arco corto Philips



MD 2000W ad arco corto Philips

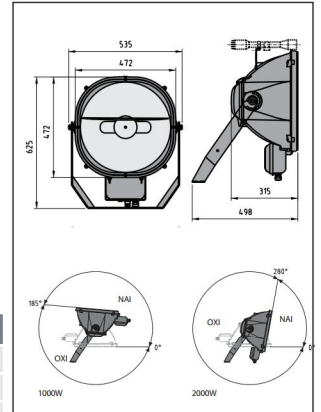


LIGHTMASTER ONE 2000

LIGHTMASTER 2000 - Symmetrical



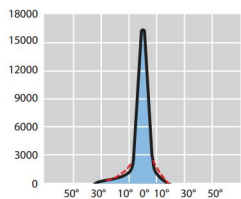
- High intensity circular reflector (with baffle to avoid the direct glare), type C1, C2, C3, C4, C5, C6 for short arc lamps.



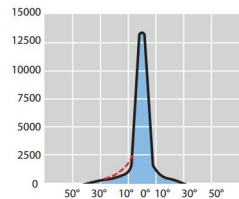
Code	Description
FA75081	FLOODLIGHT LIGHTMASTER ONE 2000 / K12s-36 (short arc) 75081 <b>R1 (empty with ignitor)</b>
FA75082	FLOODLIGHT LIGHTMASTER ONE 2000 / K12s-36 (short arc) 75082 <b>R2 (empty with ignitor)</b>
FA75083	FLOODLIGHT LIGHTMASTER ONE 2000 / K12s-36 (short arc) 75083 <b>R3 (empty with ignitor)</b>
FA75084	FLOODLIGHT LIGHTMASTER ONE 2000 / K12s-36 (short arc) 75084 <b>R4 (empty with ignitor)</b>
FA75085	FLOODLIGHT LIGHTMASTER ONE 2000 / K12s-36 (short arc) 75085 <b>R5 (empty with ignitor)</b>
FA75086	FLOODLIGHT LIGHTMASTER ONE 2000 / K12s-36 (short arc) 75086 <b>R6 (empty with ignitor)</b>
FA75087	FLOODLIGHT LIGHTMASTER ONE 2000 / K12s-36 (short arc) 75087 <b>R7 (empty with ignitor)</b>
FA75088	FLOODLIGHT LIGHTMASTER ONE 2000 / K12s-36 (short arc) 75088 <b>R8 (empty with ignitor)</b>
FA75089	FLOODLIGHT LIGHTMASTER ONE 2000 / K12s-36 (short arc) 75089 <b>R9 (empty with ignitor)</b>

2000W HIT-DE / K12s-36: OSRAM (short arc) HQI-TS 2000/D/S

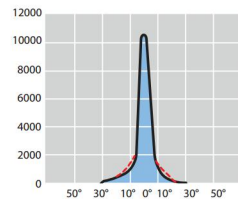
Note: The preceding luminaires are also available in **class II**.



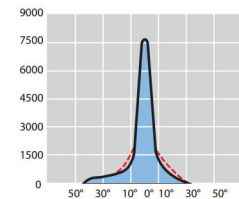
MD 2000W ad arco corto Osram



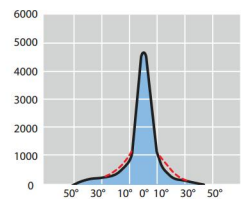
MD 2000W ad arco corto Osram



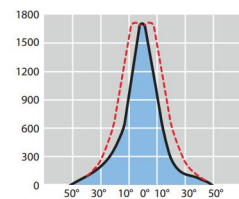
MD 2000W ad arco corto Osram



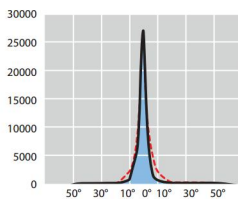
MD 2000W ad arco corto Osram



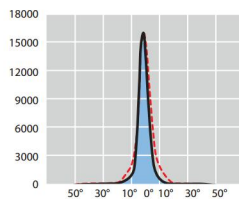
MD 2000W ad arco corto Osram



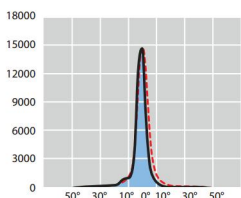
MD 2000W ad arco corto Osram



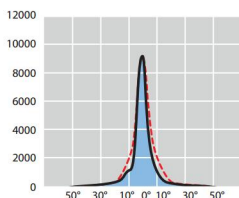
MD 2000W ad arco corto Philips



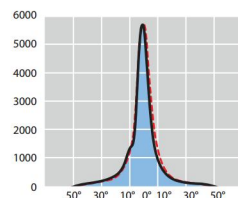
MD 2000W ad arco corto Philips



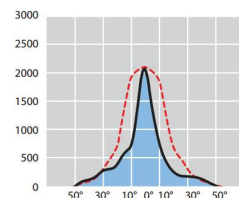
MD 2000W ad arco corto Philips



MD 2000W ad arco corto Philips



MD 2000W ad arco corto Philips



MD 2000W ad arco corto Philips

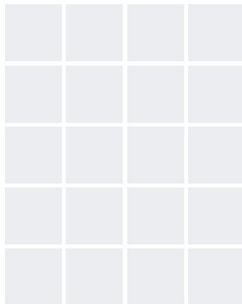
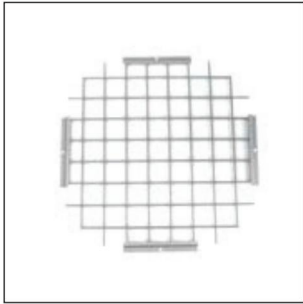


DESCRIPTION	Type	Conventional ballast and capacitor	
		CODE	
<b>For metal halide lamp</b>			
1x2000W HIT-DE / K12s-36 Osram, HIT-DE / Philips	CONTROL GEAR (in aluminium base)	701124	
1x2000W HIT-DE / K12s-36 Osram, HIT-DE / Philips	CONTROL GEAR (in waterproof gear box)	701120	



**LIGHTMASTER ONE 1000 / 2000 - ACCESSORIES**

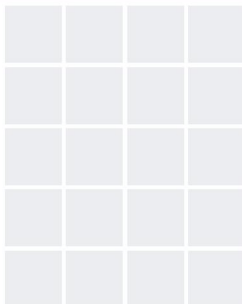
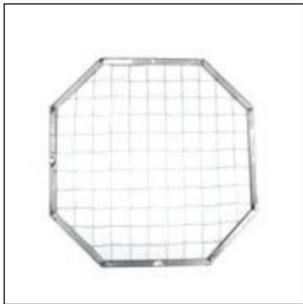
**PROTECTION GRILLE**



- Steel protection grille. Zinc plated and steel coated in silver colour.

Code	Description	
701301	PROTECTION GRILLE	60410

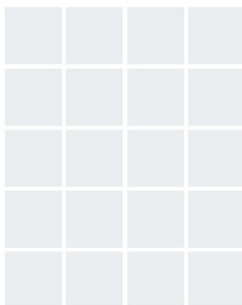
**PROTECTION GRILLE**



- Safety stainless steel grid.

Code	Description	
701302	PROTECTION GRILLE	60414

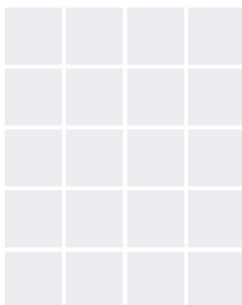
**PROTECTION GRILLE**



- Circular louvre. Stainless steel coated in silver colour.

Code	Description	
701401	CIRCULAR LOUVRE	60412

**PROTECTION GRILLE**



- Circular booster. Stainless steel coated in black colour.

Code	Description	
701402	CIRCULAR BOOSTER	60247

LIGHTMASTER ONE 2000

