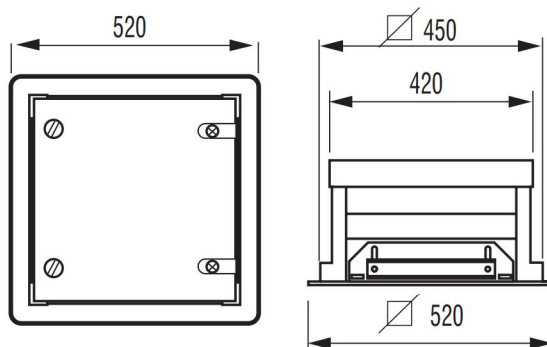


BENZ



Technical Features

**Floodlights suitable for oil stations**

- Floodlights for metal halide lamps (HIT) or high pressure sodium lamps (HST).
- Symmetric (S) or Asymmetric (A) reflector in high pure specular anodized aluminium.
- Internal vertical steel blades for glare reduction.

- Tempered front safety glass.
- Silicon rubber gasket.
- Connection for operation on 230V-50Hz with conventional control gear and power factor correction capacitor.



Code	Description
	<i>For metal halide lamp</i>
	OSRAM HQI-T/NSI, PHILIPS HPI-T PLUS, SYLVANIA HSI-THX
	<b>Symmetrical Reflector</b>
761052	BENZ-S 1x250P HIT / E40
761072	BENZ-S 1x400P HIT / E40
	<b>Asymmetrical Reflector</b>
762052	BENZ-A 1x250P HIT / E40
762072	BENZ-A 1x400P HIT / E40