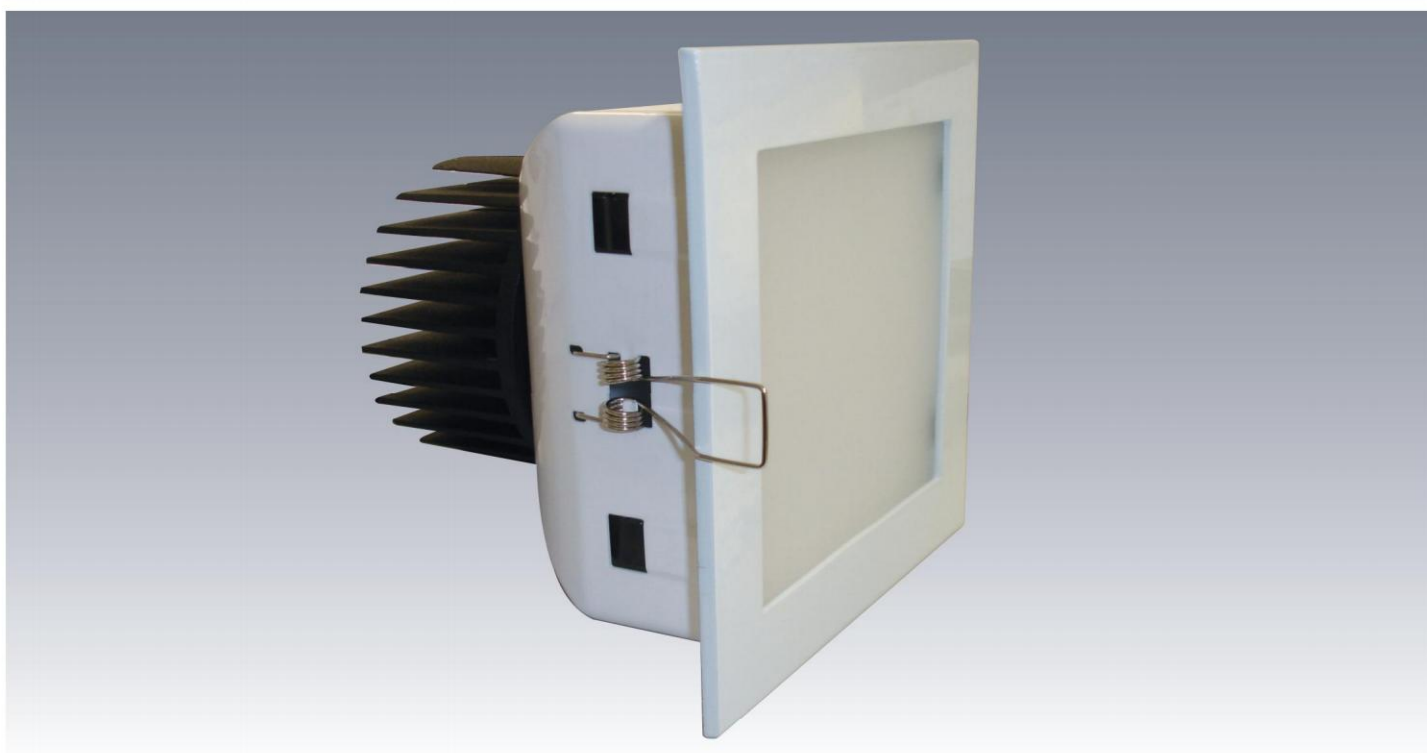


QUADRO 160 / QUADRO 200



The Quadro series is a return to the square and essential forms with the introduction of new elements, making easier the use and allowing a major versatility in the positioning of the body, not only for ceilings but also for wall-mounted installation. The most important innovation is surely the use of a ring (where a protective partially satin glass is placed) with an opening/closing hook system. This allows a more practical and functional maintenance and fast substitution of lamp without using tools.

QUADRO LED – Quality meets Efficiency

Quadro LED is a recessed compact luminaire with high efficiency. Due to its high system light output, Quadro LED can replace even a downlight with 2x32W TC-Del lamps. This compact luminaire is ideal for applications where diffuse light is needed. It is available in two colour temperatures, warm and neutral, and it can be dimmable upon request.

Technical Features

- Outer frame from die-cast aluminium, painted electrostatically in selected colour or plated.
- Inner body from steel.
- High pure aluminium reflectors anodized.
- Crusiform louvre non-iridescent with parabolic blades made of pure aluminium.
- Protection glass available in sandblast SB or Mistlite.
- Support to the ceiling with metal plates adjustable in height.
- Lamp placement in horizontal position.
- Control gear in a separate box.
- Connection for operation on 230V-50Hz with conventional ballast and power factor correction capacitor (lamp TC-D).
- Connection for operation on 230V-50/60Hz with electronic ballast (lamps TC-DEL).
- Connection for operation with electronic dimmable ballast (lamp TC-DEL).
- Connection for emergency lighting system (lamp TC-DEL).

For LED Version

- Pure light without IR/UV radiation.
- Die cast aluminum heatsink anodized.
- Efficient thermal management.
- Operation life: 50,000 hours with efficiency > 70% of the initial luminous flux.
- Connection for operation with Constant Current.

Upon request:

Available with highest colour rendering index (CRI)

QUADRO 160 / QUADRO 200

QUADRO 160 FLUO



CE F IP 43

0° 0° 1-20mm

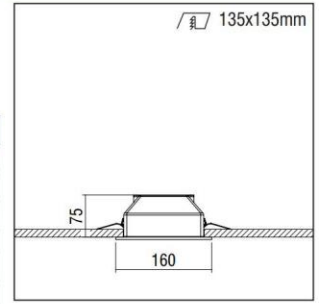
TC-D TC-DEL

OSRAM: DULUX D PHILIPS: PL-C OSRAM: DULUX DE PHILIPS: PL-GIP

Included

- Version for TC-D, TC-DEL.
- Specular anodized aluminium reflector.
- Steel frame with integrated decorative glass transparent, matt inside.

Code	Description	Kg
Conventional Ballast & Capacitor		
48122	2x13W TC-D/G24d-1	1,800
48132	2x18W TC-D/G24d-2	1,800
Electronic Ballast		
48123	2x13W TC-DEL/G24q-1	1,000
48133	2x18W TC-DEL/G24q-2	1,000



QUADRO 160 HIT-DE, HST-DE



CE F IP 43

0° 0° 1-20mm

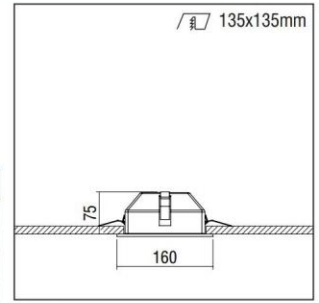
HIT-DE/RX7s HST-DE/RX7s

OSRAM: HIT-DE, HCT-15 PHILIPS: MR11, CR10 OSRAM: HST-DE PHILIPS: -

Included

- Version for HIT-DE, HST-DE.
- Specular anodized aluminium reflector.
- Steel frame with integrated decorative glass transparent, matt inside.

Code	Description	Kg
Conventional Ballast & Capacitor		
48112	1x70W HIT-DE or HST-DE/RX7s	2,650
Electronic Ballast		
48113	1x70W HIT-DE or HST-DE/RX7s	1,000



QUADRO 200 FLUO



CE F IP 43

0° 0° 1-20mm

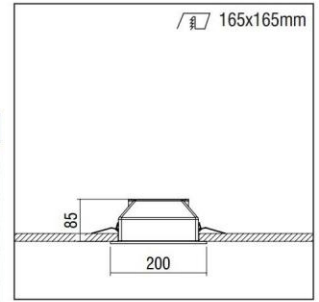
TC-D TC-DEL

OSRAM: DULUX D PHILIPS: PL-C OSRAM: DULUX DE PHILIPS: PL-GIP

Included

- Version for TC-D, TC-DEL.
- Specular anodized aluminium reflector.
- Steel frame with integrated decorative glass transparent, matt inside.

Code	Description	Kg
Conventional Ballast & Capacitor		
48242	2x18W TC-D/G24d-2	2,000
48252	2x26W TC-D/G24d-3	2,000
Electronic Ballast		
48243	2x18W TC-DEL/G24q-2	1,250
48253	2x26W TC-DEL/G24q-3	1,250



QUADRO 200 HIT-DE, HST-DE



CE F IP 43

0° 0° 1-20mm

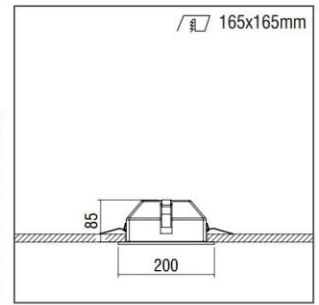
HIT-DE/RX7s HST-DE/RX7s

OSRAM: HIT-DE, HCT-15 PHILIPS: MR11, CR10 OSRAM: HST-DE PHILIPS: -

Included

- Version for HIT-DE, HST-DE.
- Specular anodized aluminium reflector.
- Steel frame with integrated decorative glass transparent, matt inside.

Code	Description	Kg
Conventional Ballast & Capacitor		
48212	1x70W HIT-DE or HST-DE/RX7s	2,850
48222	1x150W HIT-DE or HST-DE/RX7s	3,050
Electronic Ballast		
48213	1x70W HIT-DE or HST-DE/RX7s	1,200
48223	1x150W HIT-DE or HST-DE/RX7s	1,300



QUADRO 160 / QUADRO 200

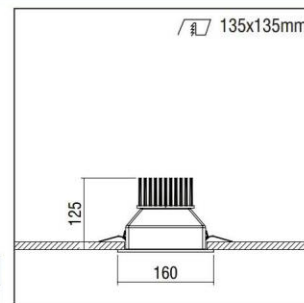
QUADRO 160 LED CHIP



CE	F	IP 43
0°	0°	±1-20mm
LED	50000 HOURS	ta 25°C
RoHS	Included	

- Version for LED CHIP.
- Specular anodized aluminium reflector.
- Steel frame with sandblast methacrylate PMMA cover.
- Die-cast aluminium heatsink.
- Efficiency:
 22W: 4000 K: 2290 Lumen, CRI: min. 75
 22W: 3000 K: 2130 Lumen, CRI: min. 80
 Maximum: 104 Lm/W

Code	Description	Kg
4819	QUADRO 160 LED CHIP 22W	0,800



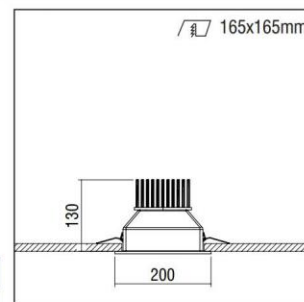
QUADRO 200 LED CHIP



CE	F	IP 43
0°	0°	±1-20mm
LED	50000 HOURS	ta 25°C
RoHS	Included	

- Version for LED CHIP.
- Specular anodized aluminium reflector.
- Steel frame with sandblast methacrylate PMMA cover.
- Die-cast aluminium heatsink.
- Efficiency:
 22W: 4000 K: 2290 Lumen, CRI: min. 75
 22W: 3000 K: 2130 Lumen, CRI: min. 80
 Maximum: 104 Lm/W

Code	Description	Kg
4829	QUADRO 200 LED CHIP 22W	1,000



LED COLOUR CODES:

2 Warm 3 Neutral

Colour Codes:

0 Colours 1 White 2 Titan 3 Black 4 Chrome 5 matt Alum.

QUADRO 160 / QUADRO 200

