

ORAMA**ORAMA FLUO**

The Orama Fluo serie is characterized by a group of ceiling projectors with reduced dimensions and use of energy saving lamps to guarantee a good level of illumination with limited consumption. Due to different covers and the ability to fit the fixture with different lamp powers, it is ideal for various applications where diffuse lighting is needed.

ORAMA HIT

The Orama Hit serie is characterized by a group of ceiling projectors with reduced dimensions and use of discharge lamps to guarantee a good level of illumination with limited consumption. Due to different covers and the ability to fit the fixture with different lamp powers, it is ideal for various applications where diffuse lighting is needed.

Technical Features

- Steel body, painted electrostatically in selected colour or plated.
- Specular high pure aluminium reflectors anodized or matt aluminium reflectors for HIT version.
- Tempered protection glass available in silkscreen TRD or sandblast SB.
- Lamp placement in horizontal position.
- Connection for operation on 230V-50Hz with conventional ballast and power factor correction capacitor (lamp TC-D).
- Connection for operation on 230V-50/60Hz with electronic ballast (lamps TC-DEL).

ORAMA

ORAMA FLUO



CE F IP 20

0° 0°

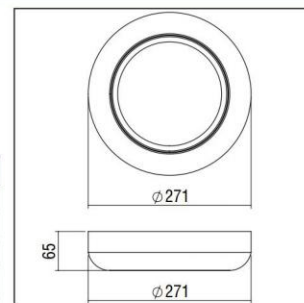
TC-D TC-DEL

OSRAM: DULUX D PHILIPS: PL-C OSRAM: DULUX D/E PHILIPS: PL-G/EP OSRAM: DULUX EL PHILIPS: PL-G/ECTA

Included

- Version for TC-D, TC-DEL, TC-TSE.
- Steel body.
- Tempered protection glass available in silkscreen TRD or sandblast SB.
- Specular aluminium reflector anodized.

Code	Description		Kg
Conventional Ballast & Capacitor			
49122	2x13W TC-D/G24d-1 Silkscreen		2,000
49132	2x18W TC-D/G24d-2 Silkscreen		2,000
49142	2x26W TC-D/G24d-3 Silkscreen		2,000
49159	2xmax.20W TC-TSE/E27 Silkscreen		1,500
49222	2x13W TC-D/G24d-1 Sandblast		2,000
49232	2x18W TC-D/G24d-2 Sandblast		2,000
49242	2x26W TC-D/G24d-3 Sandblast		2,000
49259	2xmax.20W TC-TSE/E27 Sandblast		1,500
Electronic Ballast			
49123	2x13W TC-DEL/G24q-1 Silkscreen		1,300
49133	2x18W TC-DEL/G24q-2 Silkscreen		1,300
49143	2x26W TC-DEL/G24q-3 Silkscreen		1,300
49223	2x13W TC-DEL/G24q-1 Sandblast		1,300
49233	2x18W TC-DEL/G24q-2 Sandblast		1,300
49243	2x26W TC-DEL/G24q-3 Sandblast		1,300



ORAMA HIT-DE, HST-DE



CE F IP 20

0° 0°

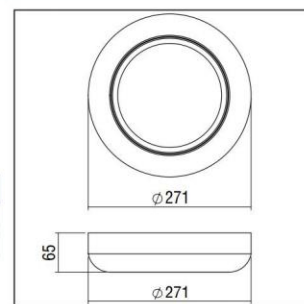
HIT-DE HST-DE

OSRAM: HIT-DE, HST-DE PHILIPS: HST-DE, HST-DE

Included

- Version for HIT-DE, HST-DE.
- Steel body.
- Tempered protection glass available in silkscreen TRD or sandblast SB.
- Matt aluminium reflector.

Code	Description		Kg
49112	1x70W HIT-DE, HST-DE/RX7s Silkscreen		2,400
49212	1x70W HIT-DE, HST-DE/RX7s Sandblast		2,400



Colour Codes:

- 0 Colours 1 White 2 Titan 3 Black 4 Chrome 5 matt Alum.

DOWNLIGHTS

