

LUNA ROUND 210 / LUNA ROUND 235



LUNA ROUND – Quality meets Efficiency

Luna Round is a downlight with high efficiency, which is available in different light sources (TC-D, TC-DEL, HIT-DE, HST-DE, LED).

Luna Round LED: Due to its high system light output, Luna Round LED can replace even a downlight with 2x32W TC-Del lamps. This compact luminaire is ideal for applications where diffuse light is needed. It is available in two colour temperatures, warm and neutral, and it can be dimmable upon request.

Technical Features

- Outer ring from die-cast aluminium or steel in 235 version, painted electrostatically in selected colour or plated.
 - Inner body from die-cast aluminium.
 - High pure aluminium reflectors anodized.
 - Crusiform louvre non-iridescent with parabolic blades made of pure aluminium.
 - Special edition with high antiglare reflector.
 - Protection glass available in silkscreen TRD, sandblast SB or Mistlite.
 - Support to the ceiling with metal plates adjustable in height or with springs for LED version.
 - Lamp placement in horizontal position.
 - Control gear in a separate box or integrated for 1-2/13-26W (TC-DEL).
 - Connection for operation on 230V-50Hz with conventional ballast and power factor correction capacitor (lamp TC-D).
 - Connection for operation on 230V-50/60Hz with electronic ballast (lamps TC-DEL).
 - Connection for operation with electronic dimmable ballast (lamp TC-DEL).
 - Connection for emergency lighting system (lamp TC-DEL).
- Upon request**
- The above luminaire is available for fluorescent compact lamps (E27) max.20W.
- For LED Version**
- Pure light without IR/UV radiation.
 - Die cast aluminum heatsink anodized.
 - Efficient thermal management.
 - Operation life: 50,000 hours with efficiency > 70% of the initial luminous flux.
 - Connection for operation with Constant Current.
- Upon request:**
- Available with highest colour rendering index (CRI)

LUNA ROUND 210 / LUNA ROUND 235

LUNA ROUND 210 FLUO



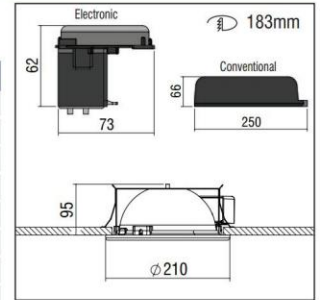
TC-D
OSRAM: DUALUX D
PHILIPS: PL-C

TC-DEL
OSRAM: DUALUX DEL
PHILIPS: PL-C/HP

TC-TEL
OSRAM: DUALUX T/E
PHILIPS: PL-T/HP

- Version for TC-D, TC-DEL, TC-TEL, TC-TSE.
- Inner body from die-cast aluminium.

Code	Description	Kg
Conventional Ballast & Capacitor		
466112	1x18W TC-D/G24d-2	1,300
466122	1x26W TC-D/G24d-3	1,300
466152	2x13W TC-D/G24d-1	1,430
466162	2x18W TC-D/G24d-2	1,430
466172	2x26W TC-D/G24d-3	1,430
466519	1xmax.20W TC-TSE/E27 <i>without control gear</i>	0,300
466529	2xmax.20W TC-TSE/E27 <i>without control gear</i>	0,350
Electronic Ballast		
466113	1x18W TC-DEL/G24q-2	0,550
466123	1x26W TC-DEL/G24q-3	0,550
466133	1x32W TC-TEL/GX24q-3	0,550
466153	2x13W TC-DEL/G24q-1	0,550
466163	2x18W TC-DEL/G24q-2	0,550
466173	2x26W TC-DEL/G24q-3	0,550
466183	2x32W TC-TEL/GX24q-3	0,700



LUNA ROUND 210 HIT-DE, HST-DE

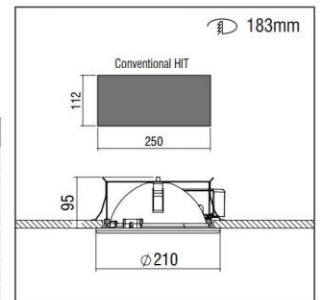


HIT-DE/RX7s
OSRAM: HST-DE, HST-DE
PHILIPS: MR16, MR16

HST-DE/RX7s
OSRAM: HST-DE
PHILIPS: -

- Version for HIT-DE, HST-DE.
- Inner body from die-cast aluminium.
- Matt anodized aluminium reflector.

Code	Description	Kg
Conventional Ballast & Capacitor		
466212	1x70W HIT-DE or HST-DE/RX7s	2,300
466222	1x150W HIT-DE or HST-DE/RX7s	2,400
Electronic Ballast		
466213	1x70W HIT-DE or HST-DE/RX7s	0,600
466223	1x150W HIT-DE or HST-DE/RX7s	0,600



LUNA ROUND 210 / LUNA ROUND 235

LUNA ROUND 210 Ring & Glass



CE	F	IP 43

- Version for TC-D, TC-DEL or HST-DE, HIT-DE.
- Outer ring from die-cast aluminium.
- Protection glass available in silkscreen TRD, sandblast SB or Mistle.

Code	Description	Kg
40025	LUNA ROUND RING 210+SILKSCREEN GLASS	0,320
40026	LUNA ROUND RING 210+SANDBLAST GLASS	0,320
40027	LUNA ROUND RING 210+MISTLITE GLASS	0,320

LUNA ROUND 210 Hole Ring & Cover



CE	F	IP 20

- Version for TC-D, TC-DEL.
- Outer ring from die-cast aluminium.
- Sandblast methacrylate PMMA cover, with built-in reflector made of glossy anodized high-purity aluminium.

Code	Description	Kg
40062	LUNA ROUND RING 210 HOLE RING	0,200

LUNA ROUND 210 FLUO VD



CE	F	IP 20

- Version for TC-D, TC-DEL.
- Inner body from die-cast aluminium.
- Specular anodized aluminium reflector.
- Suspended decorative glass transparent matt inside (D220).

Code	Description	Kg
40061	LUNA ROUND RING 210+DEC.GLASS	0,500

LUNA ROUND 210 / LUNA ROUND 235

LUNA ROUND 210 SV FLUO



TC-D
OSRAM: DULUX D
PHILIPS: PL-C

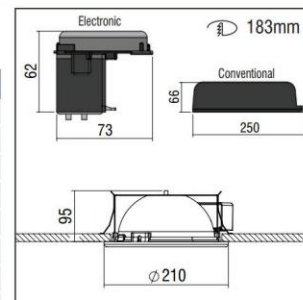
TC-DEL
OSRAM: DULUX DEL
PHILIPS: PL-C/HP

TC-TEL
OSRAM: DULUX T/E
PHILIPS: PL-T/HP

Included

- Version for TC-D, TC-DEL.
- Inner body from die-cast aluminium.

Code	Description	Kg
Conventional Ballast & Capacitor		
466312	1x18W TC-D/G24d-2	1,300
466322	1x26W TC-D/G24d-3	1,300
466352	2x13W TC-D/G24d-1	1,430
466362	2x18W TC-D/G24d-2	1,430
466372	2x26W TC-D/G24d-3	1,430
Electronic Ballast		
466313	1x18W TC-DEL/G24q-2	0,550
466323	1x26W TC-DEL/G24q-3	0,550
466333	1x32W TC-TEL/GX24q-3	0,550
466343	1x42W TC-TEL/GX24q-4	0,550
466353	2x13W TC-DEL/G24q-1	0,550
466363	2x18W TC-DEL/G24q-2	0,550
466373	2x26W TC-DEL/G24q-3	0,550
466383	2x32W TC-TEL/GX24q-3	0,700
466393	2x42W TC-TEL/GX24q-4	0,700



LUNA ROUND 210 CROSS FLUO



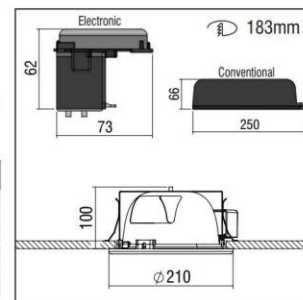
TC-D
OSRAM: DULUX D
PHILIPS: PL-C

TC-DEL
OSRAM: DULUX DEL
PHILIPS: PL-C/HP

Included

- Version for TC-D, TC-DEL.
- Inner body from die-cast aluminium.
- Specular anodized aluminium reflector.
- Crusiform louvre non-iridescent with parabolic blades made of pure aluminium.

Code	Description	Kg
Conventional Ballast & Capacitor		
466412	1x18W TC-D/G24d-2	1,350
466422	1x26W TC-D/G24d-3	1,350
466452	2x13W TC-D/G24d-1	1,480
466462	2x18W TC-D/G24d-2	1,480
466472	2x26W TC-D/G24d-3	1,480
Electronic Ballast		
466413	1x18W TC-DEL/G24q-2	0,550
466423	1x26W TC-DEL/G24q-3	0,550
466453	2x13W TC-DEL/G24q-1	0,550
466463	2x18W TC-DEL/G24q-2	0,550
466473	2x26W TC-DEL/G24q-3	0,550



LUNA ROUND 210 Ring



IP 20

- Outer ring from die-cast aluminium.

Code	Description	Kg
40028	LUNA ROUND RING 210	0,120

LUNA ROUND 210 / LUNA ROUND 235

LUNA ROUND 235 MV FLUO



CE F IP 20

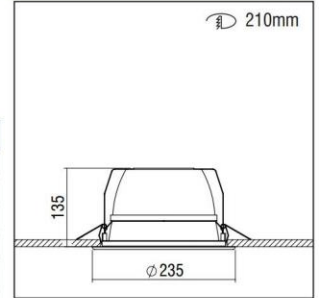
0° 0° 10-25mm

TC-D OSRAM: DULUX D PHILIPS: PL-C	TC-DEL OSRAM: DULUX D/E PHILIPS: PL-C/CP	TC-TEL OSRAM: DULUX T/E PHILIPS: PL-T/TP
---	--	--

Included

- Version for TC-D, TC-DEL, TC-TEL.
- Outer steel ring.
- Specular anodized aluminium reflector.
- Prismatic protection glass, mounted inside.

Code	Description	Kg
Conventional Ballast & Capacitor		
45712	1x18W TC-D/G24d-2	2,000
45722	1x26W TC-D/G24d-3	2,000
45752	2x13W TC-D/G24d-1	2,130
45762	2x18W TC-D/G24d-2	2,130
45772	2x26W TC-D/G24d-3	2,130
Electronic Ballast		
45713	1x18W TC-DEL/G24q-2	1,250
45723	1x26W TC-DEL/G24q-3	1,250
45733	1x32W TC-TEL/GX24q-3	1,350
45743	1x42W TC-TEL/GX24q-4	1,350
45753	2x13W TC-DEL/G24q-1	1,250
45763	2x18W TC-DEL/G24q-2	1,250
45773	2x26W TC-DEL/G24q-3	1,250
45783	2x32W TC-TEL/GX24q-3	1,350
45793	2x42W TC-TEL/GX24q-4	1,350



LUNA ROUND 235 RDL FLUO



CE F IP 20

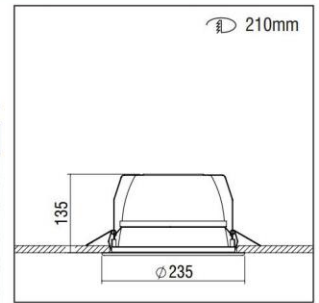
0° 0° 10-25mm

TC-D OSRAM: DULUX D PHILIPS: PL-C	TC-DEL OSRAM: DULUX D/E PHILIPS: PL-C/CP	TC-TEL OSRAM: DULUX T/E PHILIPS: PL-T/TP
---	--	--

Included

- Version for TC-D, TC-DEL, TC-TEL.
- Outer steel ring.
- Specular anodized aluminium reflector.
- Radial anti-glare screen, from specular anodized aluminium.

Code	Description	Kg
Conventional Ballast & Capacitor		
45812	1x18W TC-D/G24d-2	1,910
45822	1x26W TC-D/G24d-3	1,910
45852	2x13W TC-D/G24d-1	2,040
45862	2x18W TC-D/G24d-2	2,040
45872	2x26W TC-D/G24d-3	2,040
Electronic Ballast		
45813	1x18W TC-DEL/G24q-2	1,160
45823	1x26W TC-DEL/G24q-3	1,160
45833	1x32W TC-TEL/GX24q-3	1,260
45843	1x42W TC-TEL/GX24q-4	1,260
45853	2x13W TC-DEL/G24q-1	1,160
45863	2x18W TC-DEL/G24q-2	1,160
45873	2x26W TC-DEL/G24q-3	1,160
45883	2x32W TC-TEL/GX24q-3	1,260
45893	2x42W TC-TEL/GX24q-4	1,260



LUNA ROUND 235 H FLUO



CE F IP 20

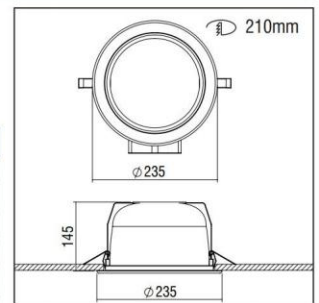
0° 0° 10-25mm

TC-D OSRAM: DULUX D PHILIPS: PL-C	TC-DEL OSRAM: DULUX D/E PHILIPS: PL-C/CP	
---	--	--

Included

- Version for TC-D, TC-DEL.
- Outer steel ring.
- Specular anodized aluminium reflector.
- Suitable for workstations, UGR < 19.

Code	Description	Kg
Conventional Ballast & Capacitor		
45162	2x18W TC-D/G24d-2	2,130
45172	2x26W TC-D/G24d-3	2,130
Electronic Ballast		
45163	2x18W TC-DEL/G24q-2	1,350
45173	2x26W TC-DEL/G24q-3	1,350



LUNA ROUND 210 / LUNA ROUND 235

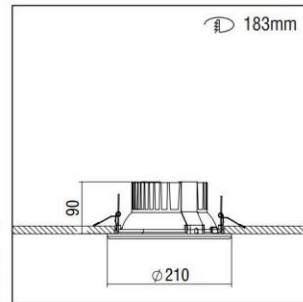
LUNA ROUND 210 LED CHIP



CE	F	RoHS	
0°	0°	±10-25mm	
LED	50000 HOURS	ta 25°C	Included
RoHS			

- Version for LED CHIP.
- Inner body from die-cast aluminium.
- Efficiency:
 - 22W: 4000 K: 2290 Lumen, CRI: min. 75
 - 22W: 3000 K: 2130 Lumen, CRI: min. 80
 - 30W: 4000 K: 2830 Lumen, CRI: min. 75
 - 30W: 3000 K: 2830 Lumen, CRI: min. 80
- Maximum: 104 Lm/W

Code	Description	Kg
46662	LED CHIP 22W	0,950
46663	LED CHIP 30W	0,950



LUNA ROUND 210 Ring & Cover



CE	F	IP 43
----	---	-------

- Outer ring from die-cast aluminium.
- Sandblast methacrylate PMMA cover.

Code	Description	Kg
40029	LUNA ROUND RING 210 LED + COVER	0,180

LED COLOUR CODES:

- 2 Warm
- 3 Neutral

Colour Codes:

- 0 Colours
- 1 White
- 2 Titan
- 3 Black
- 4 Chrome
- 5 matt Alum.