

**LUNA ROUND 165 IP65 / LUNA ROUND 235 IP65**

LUNA ROUND IP65 – Quality meets Efficiency with extra IP protection.

Luna Round IP65 is a downlight with high IP grade protection, which make it an ideal solution for environments with a high rate of humidity such as open areas, shopping centers, naval use, bathrooms, saunas, SPA centers.

**Technical Features**

- Double die-cast aluminium ring, epoxy powder painting resistant to sea-salt, before a specific washing process called “phospho-chromate”.
- Aluminium backhousing with double cable gland IP65.
- Aluminium reflector with 99,90% pure aluminium bright finishing.
- Silicone gaskets.
- Tempered, forsted protective glass.
- Lamp placement in horizontal position.
- TC-D/TC-TEL or ESL lamp source selection.
- Connection for operation on 230V-50Hz.

LUNA ROUND 165 IP65 / LUNA ROUND 235 IP65

LUNA ROUND 165 FLUO IP65

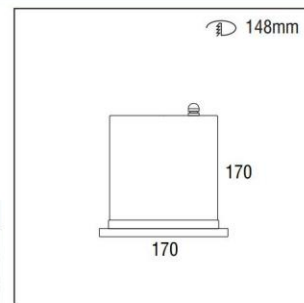


OSRAM DULUX T/E PHILIPS PL-37/4P
OSRAM DULUX EL PHILIPS PL-ELECTRONIC

Included

- Version for TC-TEL, ESL.
- Anodized aluminium reflector.

Code	Description	Kg
46013	1x13W TC-TEL/G24q-1	0,950
46023	1x18W TC-TEL/G24q-2	0,950
46031	1x max. 23W ESL/E27 <i>without control gear</i>	0,950



LUNA ROUND 235 IP65

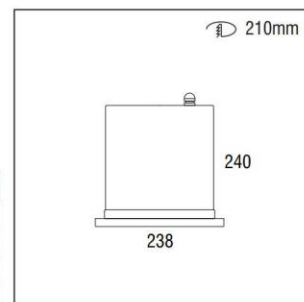


OSRAM DULUX T/E PHILIPS PL-37/4P
OSRAM DULUX EL PHILIPS PL-ELECTRONIC

Included

- Version for TC-TEL, ESL.
- Anodized aluminium reflector.

Code	Description	Kg
46043	2x18W TC-TEL/G24q-2	1,800
46053	2x26W TC-TEL/G24q-3	1,800
46063	2x32W TC-TEL/G24q-3	1,800
46071	1x max. 23W ESL/E27 <i>without control gear</i>	1,800



Colour Codes:

- 0 Colours
 1 White
 2 Titan
 3 Black
 4 Chrome
 5 matt Alum.

