

**LUNA 250+HOLE RING & COVER / LUNA SQUARE 250+HOLE FRAME & COVER**

LUNA 250+HOLE RING & COVER / LUNA SQUARE 250+HOLE FRAME & COVER is a range of recessed luminaires with high efficiency. This downlight product range teams exquisite, consistent design with high levels of practical functionality. Due to the special cover and the ability to fit the fixture with different lamp powers, it is ideal for various applications where diffuse lighting is needed.

**Technical Features**

- Outer ring or frame from die-cast aluminium, painted electrostatically in selected colour or plated.
- Inner body from die-cast aluminium.
- Semi-specular anodized aluminium reflector with a fine pear structure trim with opal polycarbonate cover and centered reflector.
- Support to the ceiling with metal plates adjustable in height.
- Lamp placement in horizontal position.
- Control gear in a separate box.
- Connection for operation on 230V-50Hz with conventional ballast and power factor correction capacitor (lamp TC-D).
- Connection for operation on 230V-50/60Hz with electronic ballast (lamps TC-DEL).
- Connection for operation with electronic dimmable ballast (lamp TC-DEL).
- Connection for emergency lighting system (lamp TC-DEL).

LUNA 250+HOLE RING & COVER / LUNA SQUARE 250+HOLE FRAME & COVER

LUNA 250+HOLE RING & COVER



CE F IP 20

0° 0° 1-40mm

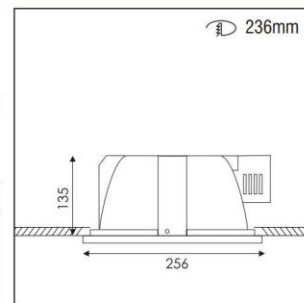
TC-D TC-DEL TC-TEL

OSRAM: DULUX D PHILIPS: PL-C OSRAM: DULUX D/E PHILIPS: PL-C/UP OSRAM: DULUX T/E PHILIPS: PL-T/UP

Included

- Version for TC-D, TC-DEL, TC-TEL.
- Outer ring from die-cast aluminium.
- Inner body from die-cast aluminium.
- Semi-specular anodized aluminium reflector with a fine pear structure trim with opal polycarbonate cover and centered reflector.

| Code  | Description               | Kg    |
|---|---------------------------|-------|
| <b>Conventional Ballast &amp; Capacitor</b> |                           |       |
| 48412                                       | 2x26W TC-D/G24d-3         | 2,800 |
| <b>Electronic Ballast</b>                   |                           |       |
| 48413                                       | 2x26W TC-DEL/G24q-3       | 1,800 |
| 48423                                       | 2x32/42W TC-TEL/GX24q-3,4 | 1,800 |



LUNA SQUARE 250+HOLE FRAME & COVER



CE F IP 20

0° 0° 1-40mm

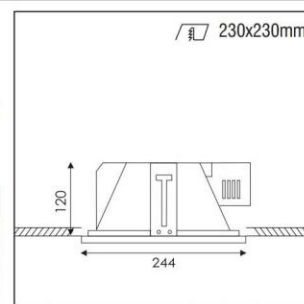
TC-D TC-DEL TC-TEL

OSRAM: DULUX D PHILIPS: PL-C OSRAM: DULUX D/E PHILIPS: PL-C/UP OSRAM: DULUX T/E PHILIPS: PL-T/UP

Included

- Version for TC-D, TC-DEL, TC-TEL.
- Outer frame from die-cast aluminium.
- Inner body from die-cast aluminium.
- Semi-specular anodized aluminium reflector with a fine pear structure trim with opal polycarbonate cover and centered reflector.

| Code  | Description               | Kg    |
|---|---------------------------|-------|
| <b>Conventional Ballast &amp; Capacitor</b> |                           |       |
| 48312                                       | 2x26W TC-D/G24d-3         | 2,700 |
| <b>Electronic Ballast</b>                   |                           |       |
| 48313                                       | 2x26W TC-DEL/G24q-3       | 1,700 |
| 48323                                       | 2x32/42W TC-TEL/GX24q-3,4 | 1,700 |



Colour Codes:

- 1 White 2 Titan

