

	PAGE
■ LUNA ROUND 210 / LUNA ROUND 235 .....	180
■ LUNA ROUND 175 .....	186
■ LUNA ROUND 165 IP65 / LUNA ROUND 235 IP65 .....	190
■ LUNA SQUARE .....	192
■ LUNA ORIENTABILE .....	196
■ MINI TEO ORIENTABILE .....	198
■ QUADRO 160 / QUADRO 200 .....	200
■ LUNA / LUNA SQUARE 250+ HOLE RING & COVER .....	204
■ GESSI .....	206
■ TUBO 220 .....	208
■ ORAMA .....	212

## LUNA ROUND 210 / LUNA ROUND 235

**LUNA ROUND – Quality meets Efficiency**

Luna Round is a downlight with high efficiency, which is available in different light sources (TC-D, TC-DEL, HIT-DE, HST-DE, LED).

Luna Round LED: Due to its high system light output, Luna Round LED can replace even a downlight with 2x32W TC-Del lamps. This compact luminaire is ideal for applications where diffuse light is needed. It is available in two colour temperatures, warm and neutral, and it can be dimmable upon request.

**Technical Features**

- Outer ring from die-cast aluminium or steel in 235 version, painted electrostatically in selected colour or plated.
  - Inner body from die-cast aluminium.
  - High pure aluminium reflectors anodized.
  - Crusiform louvre non-iridescent with parabolic blades made of pure aluminium.
  - Special edition with high antiglare reflector.
  - Protection glass available in silkscreen TRD, sandblast SB or Mistlite.
  - Support to the ceiling with metal plates adjustable in height or with springs for LED version.
  - Lamp placement in horizontal position.
  - Control gear in a separate box or integrated for 1-2/13-26W (TC-DEL).
  - Connection for operation on 230V-50Hz with conventional ballast and power factor correction capacitor (lamp TC-D).
  - Connection for operation on 230V-50/60Hz with electronic ballast (lamps TC-DEL).
  - Connection for operation with electronic dimmable ballast (lamp TC-DEL).
  - Connection for emergency lighting system (lamp TC-DEL).
- Upon request**
- The above luminaire is available for fluorescent compact lamps (E27) max.20W.
- For LED Version**
- Pure light without IR/UV radiation.
  - Die cast aluminum heatsink anodized.
  - Efficient thermal management.
  - Operation life: 50,000 hours with efficiency > 70% of the initial luminous flux.
  - Connection for operation with Constant Current.
- Upon request:**
- Available with highest colour rendering index (CRI)

LUNA ROUND 210 / LUNA ROUND 235

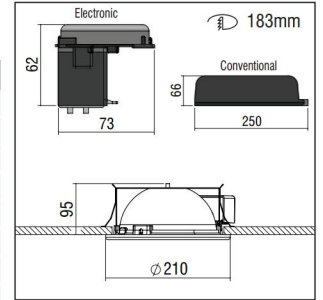
LUNA ROUND 210 FLUO



CE	F	ELC	
0°	0°	1-30mm	
TC-D OSRAM DULUX D PHILIPS PL-C	TC-DEL OSRAM DULUX DE PHILIPS PL-C/CF	TC-TEL OSRAM DULUX T/E PHILIPS PL-T/EP	Included 

- Version for TC-D, TC-DEL, TC-TEL, TC-TSE.
- Inner body from die-cast aluminium.

Code	Description	Kg
<b>Conventional Ballast &amp; Capacitor</b>		
466112	1x18W TC-D/G24d-2	1,300
466122	1x26W TC-D/G24d-3	1,300
466152	2x13W TC-D/G24d-1	1,430
466162	2x18W TC-D/G24d-2	1,430
466172	2x26W TC-D/G24d-3	1,430
466519	1xmax.20W TC-TSE/E27 <i>without control gear</i>	0,300
466529	2xmax.20W TC-TSE/E27 <i>without control gear</i>	0,350
<b>Electronic Ballast</b>		
466113	1x18W TC-DEL/G24q-2	0,550
466123	1x26W TC-DEL/G24q-3	0,550
466133	1x32W TC-TEL/GX24q-3	0,550
466153	2x13W TC-DEL/G24q-1	0,550
466163	2x18W TC-DEL/G24q-2	0,550
466173	2x26W TC-DEL/G24q-3	0,550
466183	2x32W TC-TEL/GX24q-3	0,700



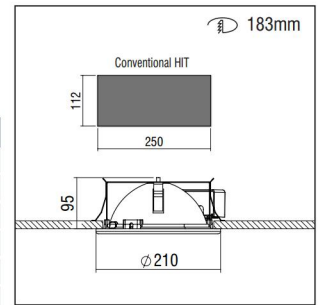
LUNA ROUND 210 HIT-DE, HST-DE



CE	F	ELC	
0°	0°	1-30mm	
HIT-DE/RX7s OSRAM HIT-DE RX7s PHILIPS MR8-TL COB-T5	HST-DE/RX7s OSRAM HST-DE RX7s PHILIPS -		Included 

- Version for HIT-DE, HST-DE.
- Inner body from die-cast aluminium.
- Matt anodized aluminium reflector.

Code	Description	Kg
<b>Conventional Ballast &amp; Capacitor</b>		
466212	1x70W HIT-DE or HST-DE/RX7s	2,300
466222	1x150W HIT-DE or HST-DE/RX7s	2,400
<b>Electronic Ballast</b>		
466213	1x70W HIT-DE or HST-DE/RX7s	0,600
466223	1x150W HIT-DE or HST-DE/RX7s	0,600



## LUNA ROUND 210 / LUNA ROUND 235

## LUNA ROUND 210 Ring &amp; Glass



CE	F		IP 43

- Version for TC-D, TC-DEL or HST-DE, HIT-DE.
- Outer ring from die-cast aluminium.
- Protection glass available in silkscreen TRD, sandblast SB or Mistle.

Code	Description	Kg
40025	LUNA ROUND RING 210+SILKSCREEN GLASS	0,320
40026	LUNA ROUND RING 210+SANDBLAST GLASS	0,320
40027	LUNA ROUND RING 210+MISTLITE GLASS	0,320

## LUNA ROUND 210 Hole Ring &amp; Cover



CE	F		IP 20

- Version for TC-D, TC-DEL.
- Outer ring from die-cast aluminium.
- Sandblast methacrylate PMMA cover, with built-in reflector made of glossy anodized high-purity aluminium.

Code	Description	Kg
40062	LUNA ROUND RING 210 HOLE RING	0,200

## LUNA ROUND 210 FLUO VD



CE	F		IP 20

- Version for TC-D, TC-DEL.
- Inner body from die-cast aluminium.
- Specular anodized aluminium reflector.
- Suspended decorative glass transparent matt inside (D220).

Code	Description	Kg
40061	LUNA ROUND RING 210+DEC.GLASS	0,500

LUNA ROUND 210 / LUNA ROUND 235

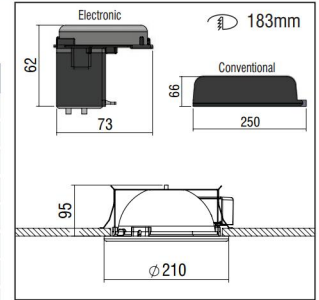
LUNA ROUND 210 SV FLUO



CE	F	ELV	
0°	0°	1-30mm	
TC-D OSRAM DULUX D PHILIPS PL-C	TC-DEL OSRAM DULUX D/E PHILIPS PL-C/UP	TC-TEL OSRAM DULUX T/E PHILIPS PL-T/UP	Included 

- Version for TC-D, TC-DEL.
- Inner body from die-cast aluminium.

Code	Description	Kg
<b>Conventional Ballast &amp; Capacitor</b>		
466312	1x18W TC-D/G24d-2	1,300
466322	1x26W TC-D/G24d-3	1,300
466352	2x13W TC-D/G24d-1	1,430
466362	2x18W TC-D/G24d-2	1,430
466372	2x26W TC-D/G24d-3	1,430
<b>Electronic Ballast</b>		
466313	1x18W TC-DEL/G24q-2	0,550
466323	1x26W TC-DEL/G24q-3	0,550
466333	1x32W TC-TEL/GX24q-3	0,550
466343	1x42W TC-TEL/GX24q-4	0,550
466353	2x13W TC-DEL/G24q-1	0,550
466363	2x18W TC-DEL/G24q-2	0,550
466373	2x26W TC-DEL/G24q-3	0,550
466383	2x32W TC-TEL/GX24q-3	0,700
466393	2x42W TC-TEL/GX24q-4	0,700



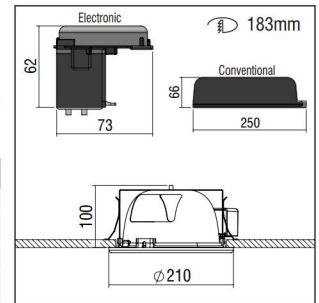
LUNA ROUND 210 CROSS FLUO



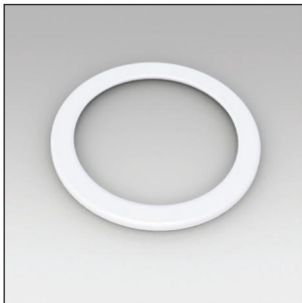
CE	F	ELV	
0°	0°	1-30mm	
TC-D OSRAM DULUX D PHILIPS PL-C	TC-DEL OSRAM DULUX D/E PHILIPS PL-C/UP		Included 

- Version for TC-D, TC-DEL.
- Inner body from die-cast aluminium.
- Specular anodized aluminium reflector.
- Crusiform louvre non-iridescent with parabolic blades made of pure aluminium.

Code	Description	Kg
<b>Conventional Ballast &amp; Capacitor</b>		
466412	1x18W TC-D/G24d-2	1,350
466422	1x26W TC-D/G24d-3	1,350
466452	2x13W TC-D/G24d-1	1,480
466462	2x18W TC-D/G24d-2	1,480
466472	2x26W TC-D/G24d-3	1,480
<b>Electronic Ballast</b>		
466413	1x18W TC-DEL/G24q-2	0,550
466423	1x26W TC-DEL/G24q-3	0,550
466453	2x13W TC-DEL/G24q-1	0,550
466463	2x18W TC-DEL/G24q-2	0,550
466473	2x26W TC-DEL/G24q-3	0,550



LUNA ROUND 210 Ring



CE	F		IP 20
----	---	--	-------

- Outer ring from die-cast aluminium.

Code	Description	Kg
40028	LUNA ROUND RING 210	0,120

LUNA ROUND 210 / LUNA ROUND 235

LUNA ROUND 235 MV FLUO



CE F IP 20

0° 0° 10-25mm

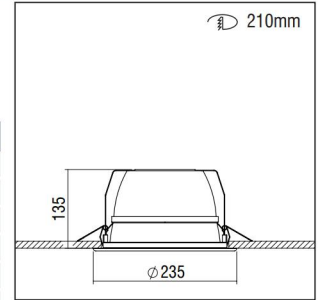
TC-D TC-DEL TC-TEL

OSRAM: DULUX D PHILIPS: PL-C OSRAM: DULUX D/E PHILIPS: PL-C/UP OSRAM: DULUX T/E PHILIPS: PL-T/EP

Included

- Version for TC-D, TC-DEL, TC-TEL.
- Outer steel ring.
- Specular anodized aluminium reflector.
- Prismatic protection glass, mounted inside.

Code	Description	Kg
<b>Conventional Ballast &amp; Capacitor</b>		
45712	1x18W TC-D/G24d-2	2,000
45722	1x26W TC-D/G24d-3	2,000
45752	2x13W TC-D/G24d-1	2,130
45762	2x18W TC-D/G24d-2	2,130
45772	2x26W TC-D/G24d-3	2,130
<b>Electronic Ballast</b>		
45713	1x18W TC-DEL/G24q-2	1,250
45723	1x26W TC-DEL/G24q-3	1,250
45733	1x32W TC-TEL/GX24q-3	1,350
45743	1x42W TC-TEL/GX24q-4	1,350
45753	2x13W TC-DEL/G24q-1	1,250
45763	2x18W TC-DEL/G24q-2	1,250
45773	2x26W TC-DEL/G24q-3	1,250
45783	2x32W TC-TEL/GX24q-3	1,350
45793	2x42W TC-TEL/GX24q-4	1,350



LUNA ROUND 235 RDL FLUO



CE F IP 20

0° 0° 10-25mm

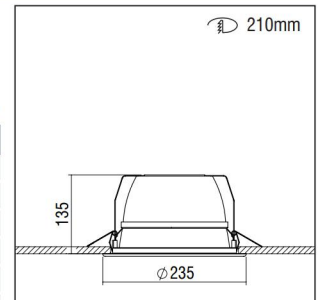
TC-D TC-DEL TC-TEL

OSRAM: DULUX D PHILIPS: PL-C OSRAM: DULUX D/E PHILIPS: PL-C/UP OSRAM: DULUX T/E PHILIPS: PL-T/EP

Included

- Version for TC-D, TC-DEL, TC-TEL.
- Outer steel ring.
- Specular anodized aluminium reflector.
- Radial anti-glare screen, from specular anodized aluminium.

Code	Description	Kg
<b>Conventional Ballast &amp; Capacitor</b>		
45812	1x18W TC-D/G24d-2	1,910
45822	1x26W TC-D/G24d-3	1,910
45852	2x13W TC-D/G24d-1	2,040
45862	2x18W TC-D/G24d-2	2,040
45872	2x26W TC-D/G24d-3	2,040
<b>Electronic Ballast</b>		
45813	1x18W TC-DEL/G24q-2	1,160
45823	1x26W TC-DEL/G24q-3	1,160
45833	1x32W TC-TEL/GX24q-3	1,260
45843	1x42W TC-TEL/GX24q-4	1,260
45853	2x13W TC-DEL/G24q-1	1,160
45863	2x18W TC-DEL/G24q-2	1,160
45873	2x26W TC-DEL/G24q-3	1,160
45883	2x32W TC-TEL/GX24q-3	1,260
45893	2x42W TC-TEL/GX24q-4	1,260



LUNA ROUND 235 H FLUO



CE F IP 20

0° 0° 10-25mm

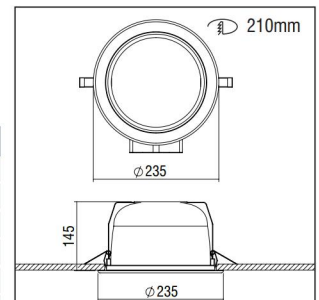
TC-D TC-DEL

OSRAM: DULUX D PHILIPS: PL-C OSRAM: DULUX D/E PHILIPS: PL-C/UP

Included

- Version for TC-D, TC-DEL.
- Outer steel ring.
- Specular anodized aluminium reflector.
- Suitable for workstations, UGR < 19.

Code	Description	Kg
<b>Conventional Ballast &amp; Capacitor</b>		
45162	2x18W TC-D/G24d-2	2,130
45172	2x26W TC-D/G24d-3	2,130
<b>Electronic Ballast</b>		
45163	2x18W TC-DEL/G24q-2	1,350
45173	2x26W TC-DEL/G24q-3	1,350



LUNA ROUND 210 / LUNA ROUND 235

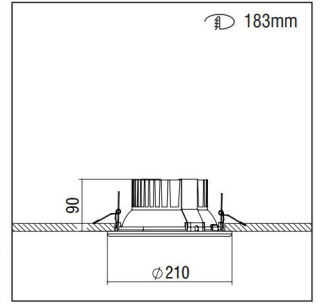
LUNA ROUND 210 LED CHIP



CE	F	RoHS	
0°	0°	10-25mm	
LED	IP 43	ta 25°C	Included

- Version for LED CHIP.
- Inner body from die-cast aluminium.
- Efficiency:
  - 22W: 4000 K: 2290 Lumen, CRI: min. 75
  - 22W: 3000 K: 2130 Lumen, CRI: min. 80
  - 30W: 4000 K: 2830 Lumen, CRI: min. 75
  - 30W: 3000 K: 2830 Lumen, CRI: min. 80
- Maximum: 104 Lm/W

Code	Description	Kg
46662	LED CHIP 22W	0,950
46663	LED CHIP 30W	0,950



LUNA ROUND 210 Ring & Cover



CE	F	IP 43	

- Outer ring from die-cast aluminium.
- Sandblast methacrylate PMMA cover.

Code	Description	Kg
40029	LUNA ROUND RING 210 LED + COVER	0,180

LED COLOUR CODES:

2 Warm 3 Neutral

Colour Codes:

0 Colours 1 White 2 Titan 3 Black 4 Chrome 5 matt Alum.

## LUNA ROUND 175



## LUNA ROUND – Quality meets Efficiency

Luna Round is a downlight with high efficiency, which is available in different light sources (TC-D, TC-DEL, HIT-DE, HST-DE, LED).

Luna Round LED: Due to its high system light output, Luna Round LED can replace even a downlight with 2x32W TC-Del lamps. This compact luminaire is ideal for applications where diffuse light is needed. It is available in two colour temperatures, warm and neutral, and it can be dimmable upon request.

## Technical Features

- Outer ring from die-cast aluminium, painted electrostatically in selected colour or plated.
  - Inner body from die-cast aluminium.
  - High pure aluminium reflectors anodized.
  - Crusiform louvre non-iridescent with parabolic blades made of pure aluminium.
  - Protection glass available in silkscreen TRD, sandblast SB or Mistlite.
  - Support to the ceiling with metal plates adjustable in height or with springs for LED version.
  - Lamp placement in horizontal position.
  - Control gear in a separate box or integrated for 1-2/13-26W (TC-DEL).
  - Connection for operation on 230V-50Hz with conventional ballast and power factor correction capacitor (lamp TC-D).
  - Connection for operation on 230V-50/60Hz with electronic ballast (lamps TC-DEL).
  - Connection for operation with electronic dimmable ballast (lamp TC-DEL).
  - Connection for emergency lighting system (lamp TC-DEL).
- Upon request**
- The above luminaire is available for fluorescent compact lamps (E27) max.20W.
- For LED Version**
- Pure light without IR/UV radiation.
  - Die cast aluminum heatsink anodized.
  - Efficient thermal management.
  - Operation life: 50,000 hours with efficiency > 70% of the initial luminous flux.
  - Connection for operation with Constant Current.
- Upon request:**
- Available with highest colour rendering index (CRI)



LUNA ROUND 175

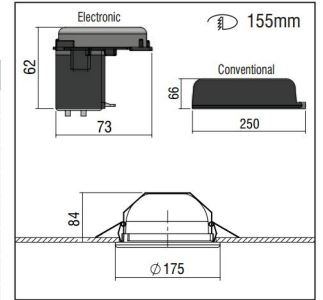
LUNA ROUND 175 FLUO / LUNA ROUND 175 FLUO SV



CE	F	ELV	
0°	0°	10-35mm	
TC-D	TC-DEL		
OSRAM: DULUX D PHILIPS: PL-C	OSRAM: DULUX D/E PHILIPS: PL-C/UP		Included

- Version for TC-D, TC-DEL.
- Inner body from die-cast aluminium.

Code	Description	Kg
<b>Conventional Ballast &amp; Capacitor</b>		
465102	1x13W TC-D/G24d-1	1,270
465112	1x18W TC-D/G24d-2	1,270
465122	1x26W TC-D/G24d-3	1,400
465132	2x13W TC-D/G24d-1	1,400
465142	2x18W TC-D/G24d-2	1,400
<b>Electronic Ballast</b>		
465103	1x13W TC-DEL/G24q-1	0,520
465113	1x18W TC-DEL/G24q-2	0,520
465123	1x26W TC-DEL/G24q-3	0,520
465133	2x13W TC-DEL/G24q-1	0,520
465143	2x18W TC-DEL/G24q-2	0,520



LUNA ROUND 175 Ring & Glass



CE	F	IP 43	
----	---	-------	--

- Outer ring from die-cast aluminium.
- Protection glass available in silkscreen TRD or Mistlite.

Code	Description	Kg
40020	LUNA ROUND RING 175+SILKSCREEN GLASS	0,230
40022	LUNA ROUND RING 175+MISTLITE GLASS	0,230

LUNA ROUND 175 Ring



CE	F	IP 20	
----	---	-------	--

- Outer ring from die-cast aluminium.

Code	Description	Kg
40023	LUNA ROUND RING 175	0,100

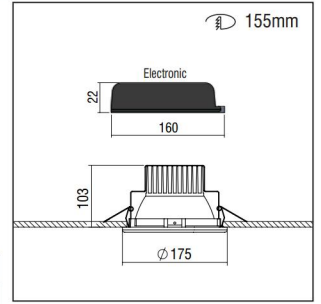
LUNA ROUND 175

LUNA ROUND 175 LED CHIP



CE	F	RoHS	
0°	0°	10-25mm	
LED	LED CHIP	ta 25°C	Included
RoHS			

- Version for LED CHIP.
- Inner body from die-cast aluminium.
- Efficiency:  
 22W: 4000 K: 2290 Lumen, CRI: min. 75  
 22W: 3000 K: 2130 Lumen, CRI: min. 80  
 Maximum: 104 Lm/W



Code	Description	Kg
4653-1	LED CHIP 22W	0,830

LUNA ROUND 175 Ring & Cover



CE	F	IP 43	

- Outer ring from die-cast aluminium.
- Sandblast methacrylate PMMA cover.

Code	Description	Kg
40024-	LUNA ROUND RING 175 LED + COVER	0,120

LED COLOUR CODES:

2 Warm 3 Neutral

Colour Codes:

0 Colours 1 White 2 Titan 3 Black 4 Chrome 5 matt Alum.

LUNA ROUND 175



**LUNA ROUND 165 IP65 / LUNA ROUND 235 IP65**

LUNA ROUND IP65 – Quality meets Efficiency with extra IP protection.

Luna Round IP65 is a downlight with high IP grade protection, which make it an ideal solution for environments with a high rate of humidity such as open areas, shopping centers, naval use, bathrooms, saunas, SPA centers.

**Technical Features**

- Double die-cast aluminium ring, epoxy powder painting resistant to sea-salt, before a specific washing process called “phospho-chromate”.
- Aluminium backhousing with double cable gland IP65.
- Aluminium reflector with 99,90% pure aluminium bright finishing.
- Silicone gaskets.
- Tempered, forsted protective glass.
- Lamp placement in horizontal position.
- TC-D/TC-TEL or ESL lamp source selection.
- Connection for operation on 230V-50Hz.

LUNA ROUND 165 IP65 / LUNA ROUND 235 IP65

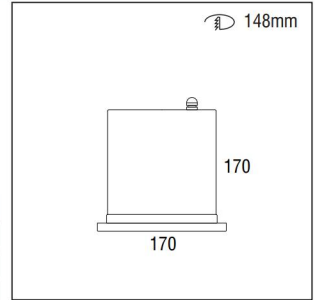
LUNA ROUND 165 FLUO IP65



CE	F	IP 65
0°	0°	12,5mm
TC-TEL OSRAM DULUX T/E PHILIPS PL-T/AF	ESL OSRAM DULUX EL PHILIPS PL-ELECTRONIC	Included 

- Version for TC-TEL, ESL.
- Anodized aluminium reflector.

Code	Description	Kg
46013	1x13W TC-TEL/G24q-1	0,950
46023	1x18W TC-TEL/G24q-2	0,950
46031	1x max. 23W ESL/E27 <i>without control gear</i>	0,950



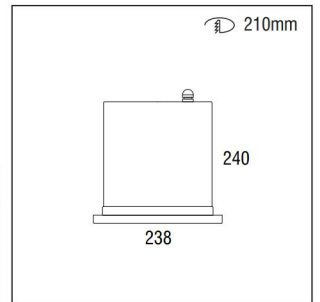
LUNA ROUND 235 IP65



CE	F	IP 65
0°	0°	12,5mm
TC-TEL OSRAM DULUX T/E PHILIPS PL-T/AF	ESL OSRAM DULUX EL PHILIPS PL-ELECTRONIC	Included 

- Version for TC-TEL, ESL.
- Anodized aluminium reflector.

Code	Description	Kg
46043	2x18W TC-TEL/G24q-2	1,800
46053	2x26W TC-TEL/G24q-3	1,800
46063	2x32W TC-TEL/G24q-3	1,800
46071	1x max. 23W ESL/E27 <i>without control gear</i>	1,800



Colour Codes:

- 0 Colours 1 White 2 Titan 3 Black 4 Chrome 5 matt Alum.



## LUNA SQUARE



Luna Square is a compact recessed luminaire with high efficiency. This downlight product range teams exquisite, consistent design with high levels of practical functionality. Due to different covers and the ability to fit the fixture with different lamp powers, it is ideal for various applications where diffuse lighting is needed.

### Technical Features

- Outer frame from die-cast aluminium, painted electrostatically in selected colour or plated.
- Inner body from steel.
- High pure aluminium reflectors anodized.
- Crusiform louvre non-iridescent with parabolic blades made of pure aluminium.
- Protection glass available in sandblast SB or Mistlite.
- Support to the ceiling with metal plates adjustable in height.
- Lamp placement in horizontal position.
- Control gear in a separate box or integrated for 1-2/13-26W (TC-DEL).
- Connection for operation on 230V-50Hz with conventional ballast and power factor correction capacitor (lamp TC-D).
- Connection for operation on 230V-50/60Hz with electronic ballast (lamps TC-DEL).
- Connection for operation with electronic dimmable ballast (lamp TC-DEL).
- Connection for emergency lighting system (lamp TC-DEL).

LUNA SQUARE

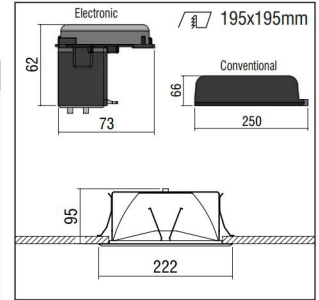
LUNA SQUARE FLUO



CE	F	IP 43
0°	0°	1-30mm
TC-D OSRAM DULUX D PHILIPS PL-C	TC-DEL OSRAM DULUX D/E PHILIPS PL-C/HP	TC-TEL OSRAM DULUX T/E PHILIPS PL-E/ELC
Included		

- Version for TC-D, TC-DEL, TC-TEL, TC-TSE.
- Protection glass in sandblast SB or Mistlite.

Code	Description	Kg
<b>Conventional Ballast &amp; Capacitor</b>		
44212	1x18W TC-D/G24d-2 Mistlite	1,800
44222	1x26W TC-D/G24d-3 Mistlite	1,800
44252	2x13W TC-D/G24d-1 Mistlite	1,930
44262	2x18W TC-D/G24d-2 Mistlite	1,930
44272	2x26W TC-D/G24d-3 Mistlite	1,930
44429	2xmax.20W TC-TSE/E27 Mistlite <i>without control gear</i>	0,750
44312	1x18W TC-D/G24d-2 Sandblast	1,800
44322	1x26W TC-D/G24d-3 Sandblast	1,800
44352	2x13W TC-D/G24d-1 Sandblast	1,930
44362	2x18W TC-D/G24d-2 Sandblast	1,930
44372	2x26W TC-D/G24d-3 Sandblast	1,930
44529	2xmax.20W TC-TSE/E27 Sandblast <i>without control gear</i>	0,750
<b>Electronic Ballast</b>		
44213	1x18W TC-DEL/G24q-2 Mistlite	1,000
44223	1x26W TC-DEL/G24q-3 Mistlite	1,000
44233	1x32W TC-TEL/GX24q-3 Mistlite	1,100
44253	2x13W TC-DEL/G24q-1 Mistlite	1,050
44263	2x18W TC-DEL/G24q-2 Mistlite	1,050
44273	2x26W TC-DEL/G24q-3 Mistlite	1,050
44283	2x32W TC-TEL/GX24q-3 Mistlite	1,150
44313	1x18W TC-DEL/G24q-2 Sandblast	1,000
44323	1x26W TC-DEL/G24q-3 Sandblast	1,000
44333	1x32W TC-TEL/GX24q-3 Sandblast	1,100
44353	2x13W TC-DEL/G24q-1 Sandblast	1,050
44363	2x18W TC-DEL/G24q-2 Sandblast	1,050
44373	2x26W TC-DEL/G24q-3 Sandblast	1,050
44383	2x32W TC-TEL/GX24q-3 Sandblast	1,150



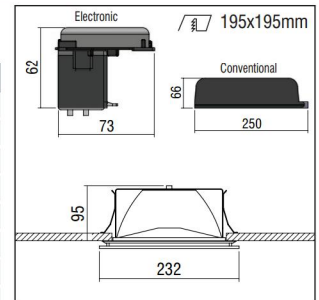
LUNA SQUARE VD FLUO



CE	F	IP 20
0°	0°	1-30mm
TC-D OSRAM DULUX D PHILIPS PL-C	TC-DEL OSRAM DULUX D/E PHILIPS PL-C/HP	TC-TEL OSRAM DULUX T/E PHILIPS PL-E/ELC
Included		

- Version for TC-D, TC-DEL, TC-TEL.
- Suspended decorative glass transparent, matt inside.

Code	Description	Kg
<b>Conventional Ballast &amp; Capacitor</b>		
44812	1x18W TC-D/G24d-2	1,800
44822	1x26W TC-D/G24d-3	1,800
44852	2x13W TC-D/G24d-1	1,930
44862	2x18W TC-D/G24d-2	1,930
44872	2x26W TC-D/G24d-3	1,930
<b>Electronic Ballast</b>		
44813	1x18W TC-DEL/G24q-2	1,000
44823	1x26W TC-DEL/G24q-3	1,000
44833	1x32W TC-TEL/GX24q-3	1,100
44843	1x42W TC-TEL/GX24q-4	1,100
44853	2x13W TC-DEL/G24q-1	1,050
44863	2x18W TC-DEL/G24q-2	1,050
44873	2x26W TC-DEL/G24q-3	1,050
44883	2x32W TC-TEL/GX24q-3	1,150
44893	2x42W TC-TEL/GX24q-4	1,150



LUNA SQUARE

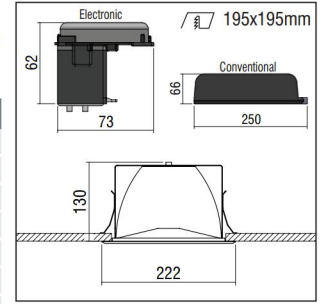
LUNA SQUARE CROSS FLUO



CE	F	IP 20
0°	0°	1-30mm
TC-D OSRAM DULUX D PHILIPS PL-C	TC-DEL OSRAM DULUX DE PHILIPS PL-C/CF	TC-TEL OSRAM DULUX T/E PHILIPS PL-T/FP
		Included

- Version for TC-D, TC-DEL, TC-TEL.
- Crusiform louvre non-iridescent with parabolic blades made of pure aluminium.

Code	Description	Kg
<b>Conventional Ballast &amp; Capacitor</b>		
44952	2x13W TC-D/G24d-1	1,730
44962	2x18W TC-D/G24d-2	1,730
44972	2x26W TC-D/G24d-3	1,730
<b>Electronic Ballast</b>		
44953	2x13W TC-DEL/G24q-1	0,850
44963	2x18W TC-DEL/G24q-2	0,850
44973	2x26W TC-DEL/G24q-3	0,850
44983	2x32W TC-DEL/G24q-3	0,950
44993	2x42W TC-DEL/G24q-4	0,950



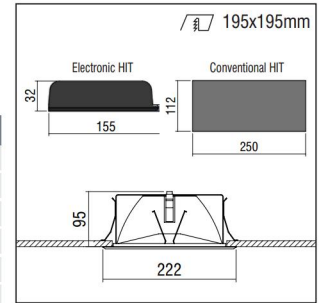
LUNA SQUARE HIT-DE, HST-DE



CE	F	IP 20
0°	0°	1-30mm
HIT-DE/RX7s OSRAM HIT-DE RX7s PHILIPS MR16 COB-D	HST-DE/RX7s OSRAM HST-DE RX7s PHILIPS -	
		Included

- Version for HIT-DE, HST-DE.
- Matt anodized aluminium reflector.
- Protection glass in sandblast SB or Mistlite.

Code	Description	Kg
<b>Conventional Ballast &amp; Capacitor</b>		
44612	1x70W HIT-DE or HST-DE/RX7s Mistlite	2,750
44622	1x150W HIT-DE or HST-DE/RX7s Mistlite	2,850
44712	1x70W HIT-DE or HST-DE/RX7s Sandblast	2,750
44722	1x150W HIT-DE or HST-DE/RX7s Sandblast	2,850
<b>Electronic Ballast</b>		
44613	1x70W HIT-DE or HST-DE/RX7s Mistlite	1,050
44623	1x150W HIT-DE or HST-DE/RX7s Mistlite	1,050
44713	1x70W HIT-DE or HST-DE/RX7s Sandblast	1,050
44723	1x150W HIT-DE or HST-DE/RX7s Sandblast	1,050



LUNA SQUARE for Speaker



CE	F	IP 20
----	---	-------

- Outer frame from die-cast aluminium.

Code	Description	Kg
45000	LUNA SQUARE for Speaker	0,500
400501	Speaker 18W	0,700

Colour Codes:

- 0 Colours 1 White 2 Titan 3 Black 4 Chrome 5 matt Alum.



LUNA SQUARE



**LUNA ORIENTABILE**

Luna Orientabile is an adjustable and extractable ceiling downlight for metal halide lamps. It highlights impressively premises, such as shopping malls, stores, hotels, exhibition halls, museums etc.

**Technical Features**

- Plaster trimless recessed luminaire.
- Installation frame from steel.
- Lamp placement in horizontal position.
- Control gear in a separate box.
- Connection for operation on 230V-50Hz with conventional ballast and power factor correction capacitor (lamp TC-D).
- Connection for operation on 230V-50/60Hz with electronic ballast (lamps TC-DEL).
- Connection for operation with electronic dimmable ballast (lamp TC-DEL).
- Connection for emergency lighting system (lamp TC-DEL).

LUNA ORIENTABILE

LUNA ORIENTABILE 170

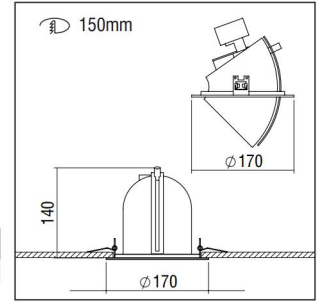


CE	F	IP 23
60°	356°	1-12mm
HIT-CE OSRAM HCL-T PHILIPS COMET		CG

- Version for HIT-CE/G12.
- Die-cast aluminium body and ring.
- Matt aluminium reflector.
- Tempered protection silkscreen glass.

Code	Description	Kg
88115	1x35/70/150W HIT-CE/G12	0,750

Please order Control Gear separately



LUNA ORIENTABILE 230

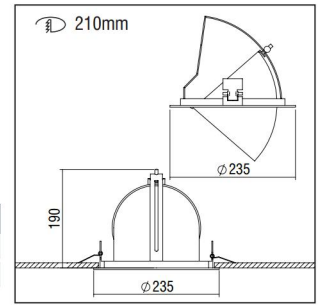


CE	F	IP 23
60°	356°	1-12mm
HIT-DE OSRAM HCL-T, HCL-TS PHILIPS COMET	HST-DE OSRAM HCL-T, HCL-TS PHILIPS COMET	CG

- Version for HIT-DE, HST-DE/RX7s.
- Die-cast aluminium body and ring.
- Matt aluminium reflector.
- Tempered protection silkscreen glass.

Code	Description	Kg
88116	1x70W HIT-DE, HST-DE/RX7s	1,200
88117	1x150W HIT-DE, HST-DE/RX7s	1,200

Please order Control Gear separately



Colour Codes:

- 1 White 2 Titan

CONTROL GEAR - TRANSFORMERS

DESCRIPTION	TYPE	Conventional Control Gear & Capacitor		Electronic Control Gear	
		CODE		CODE	
Metal halide lamps (HIT) or high pressure sodium lamps (HST)					
35W HIT AVO	CONTROL GEAR	498222		498223	
70W HIT - HST Display	CONTROL GEAR	498312		498323	
70W HIT - HST (for lum. AVO - TEO)	CONTROL GEAR	498322			
150W HIT - HST	CONTROL GEAR	498612		498623	

**MINI TEO ORIENTABILE**

---



---

MINI TEO ORIENTABILE is an adjustable and extractable ceiling downlight for metal halide lamps. It highlights impressively premises, such as shopping malls, stores, hotels, exhibition halls, museums etc.

**Technical Features**

---

- Die-cast aluminium body.
- Die-cast aluminium adjustable internal ring.
- Tempered protection silkscreen glass.
- Easy mounting with clips.
- Control gear in a separate box.
- Connection for operation on 230V-50Hz with conventional ballast and power factor correction capacitor.
- Connection for operation on 230V-50/60Hz with electronic ballast.

MINI TEO ORIENTABILE

MINI TEO ORIENTABILE HIT-CE

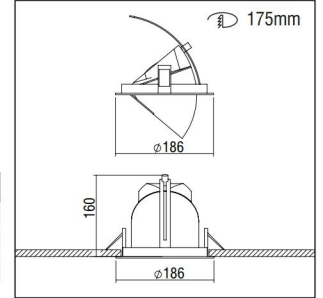


CE	F	IP 40
60°	350°	1-40mm
HIT-CE	CG	
OSRAM HQT	PHILIPS COM-T	

- Version for HIT-CE/G12.
- Die-cast aluminium body and ring.
- Matt aluminium reflector (Spot, Medium, Wide).
- Tempered protection silkscreen glass.

Code	Description	Kg
88701	MINI TEO ORIENTABILE 1x35/70W HIT-CE/G12 Spot	1,050
88702	MINI TEO ORIENTABILE 1x35/70W HIT-CE/G12 Medium	1,050
88703	MINI TEO ORIENTABILE 1x35/70W HIT-CE/G12 Wide	1,050

Please order Control Gear separately



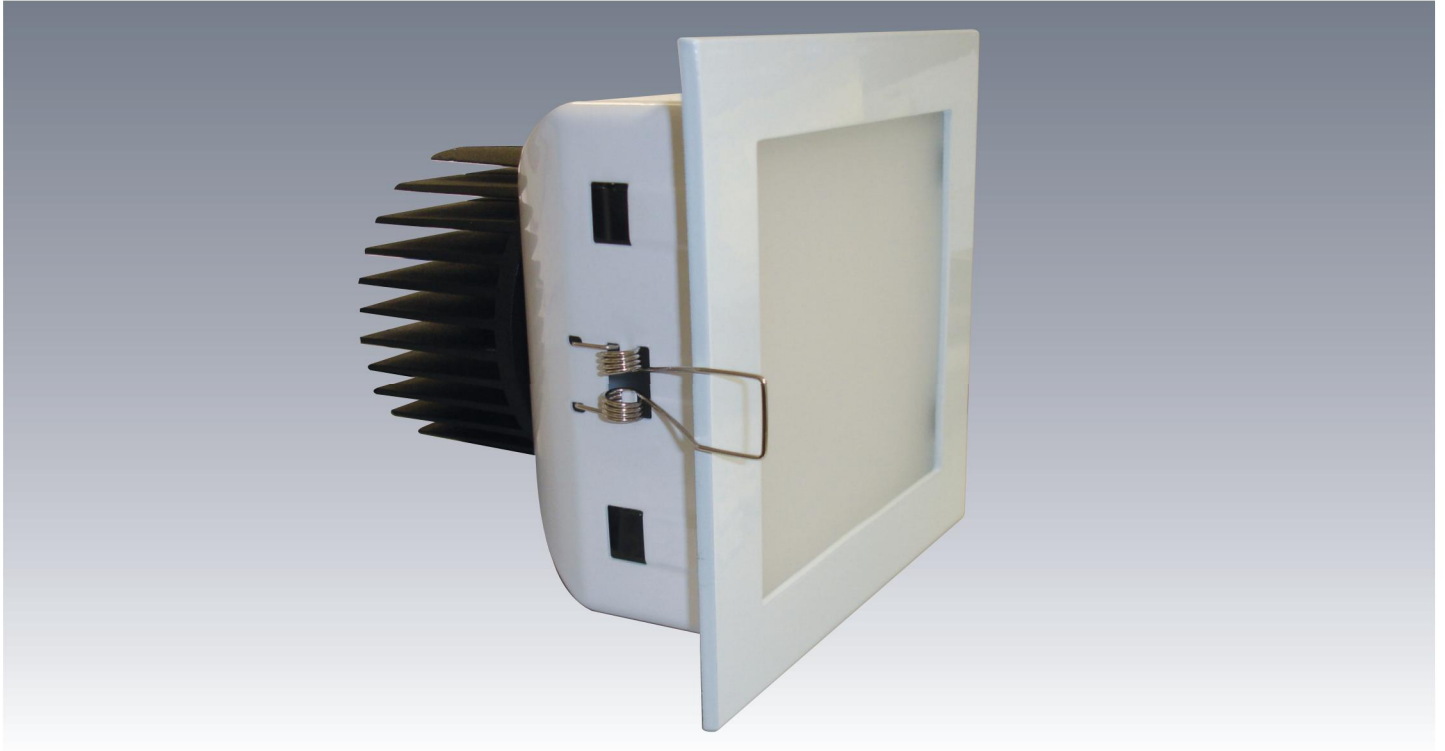
Colour Codes:

- 1 White 2 Titan

CONTROL GEAR - TRANSFORMERS

DESCRIPTION	TYPE	Conventional Control Gear & Capacitor		Electronic Control Gear	
		CODE		CODE	
Metal halide lamps (HIT) or high pressure sodium lamps (HST)					
35W HIT AVO	CONTROL GEAR	498222		498223	
70W HIT - HST Display	CONTROL GEAR	498312		498323	
70W HIT - HST (for lum. AVO - TEO)	CONTROL GEAR	498322			

## QUADRO 160 / QUADRO 200



The Quadro series is a return to the square and essential forms with the introduction of new elements, making easier the use and allowing a major versatility in the positioning of the body, not only for ceilings but also for wall-mounted installation. The most important innovation is surely the use of a ring (where a protective partially satin glass is placed) with an opening/closing hook system. This allows a more practical and functional maintenance and fast substitution of lamp without using tools.

**QUADRO LED – Quality meets Efficiency**

Quadro LED is a recessed compact luminaire with high efficiency. Due to its high system light output, Quadro LED can replace even a downlight with 2x32W TC-Del lamps. This compact luminaire is ideal for applications where diffuse light is needed. It is available in two colour temperatures, warm and neutral, and it can be dimmable upon request.

**Technical Features**

- Outer frame from die-cast aluminium, painted electrostatically in selected colour or plated.
- Inner body from steel.
- High pure aluminium reflectors anodized.
- Crusiform louvre non-iridescent with parabolic blades made of pure aluminium.
- Protection glass available in sandblast SB or Mistlite.
- Support to the ceiling with metal plates adjustable in height.
- Lamp placement in horizontal position.
- Control gear in a separate box.
- Connection for operation on 230V-50Hz with conventional ballast and power factor correction capacitor (lamp TC-D).
- Connection for operation on 230V-50/60Hz with electronic ballast (lamps TC-DEL).
- Connection for operation with electronic dimmable ballast (lamp TC-DEL).
- Connection for emergency lighting system (lamp TC-DEL).

**For LED Version**

- Pure light without IR/UV radiation.
- Die cast aluminum heatsink anodized.
- Efficient thermal management.
- Operation life: 50,000 hours with efficiency > 70% of the initial luminous flux.
- Connection for operation with Constant Current.

**Upon request:**

Available with highest colour rendering index (CRI)

QUADRO 160 / QUADRO 200

QUADRO 160 FLUO



CE F IP 43

0° 0° 1-20mm

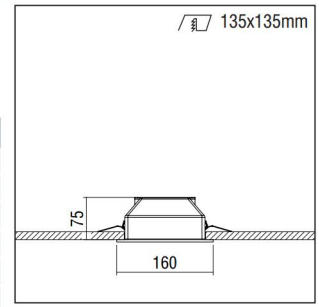
TC-D TC-DEL

OSRAM: DULUX D PHILIPS: PL-C OSRAM: DULUX D/E PHILIPS: PL-C/UP

Included

- Version for TC-D, TC-DEL.
- Specular anodized aluminium reflector.
- Steel frame with integrated decorative glass transparent, matt inside.

Code	Description	Kg
<b>Conventional Ballast &amp; Capacitor</b>		
48122	2x13W TC-D/G24d-1	1,800
48132	2x18W TC-D/G24d-2	1,800
<b>Electronic Ballast</b>		
48123	2x13W TC-DEL/G24q-1	1,000
48133	2x18W TC-DEL/G24q-2	1,000



QUADRO 160 HIT-DE, HST-DE



CE F IP 43

0° 0° 1-20mm

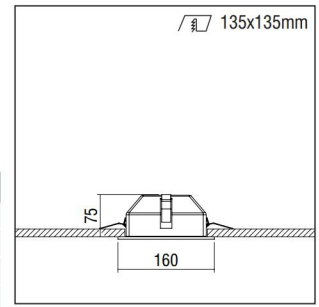
HIT-DE/RX7s HST-DE/RX7s

OSRAM: HIT-DE, HST-DE PHILIPS: HST-DE, HST-DE OSRAM: HST-DE PHILIPS: -

Included

- Version for HIT-DE, HST-DE.
- Specular anodized aluminium reflector.
- Steel frame with integrated decorative glass transparent, matt inside.

Code	Description	Kg
<b>Conventional Ballast &amp; Capacitor</b>		
48112	1x70W HIT-DE or HST-DE/RX7s	2,650
<b>Electronic Ballast</b>		
48113	1x70W HIT-DE or HST-DE/RX7s	1,000



QUADRO 200 FLUO



CE F IP 43

0° 0° 1-20mm

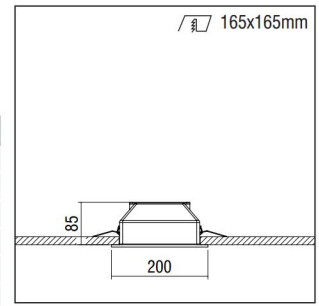
TC-D TC-DEL

OSRAM: DULUX D PHILIPS: PL-C OSRAM: DULUX D/E PHILIPS: PL-C/UP

Included

- Version for TC-D, TC-DEL.
- Specular anodized aluminium reflector.
- Steel frame with integrated decorative glass transparent, matt inside.

Code	Description	Kg
<b>Conventional Ballast &amp; Capacitor</b>		
48242	2x18W TC-D/G24d-2	2,000
48252	2x26W TC-D/G24d-3	2,000
<b>Electronic Ballast</b>		
48243	2x18W TC-DEL/G24q-2	1,250
48253	2x26W TC-DEL/G24q-3	1,250



QUADRO 200 HIT-DE, HST-DE



CE F IP 43

0° 0° 1-20mm

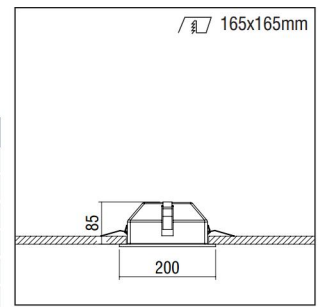
HIT-DE/RX7s HST-DE/RX7s

OSRAM: HIT-DE, HST-DE PHILIPS: HST-DE, HST-DE OSRAM: HST-DE PHILIPS: -

Included

- Version for HIT-DE, HST-DE.
- Specular anodized aluminium reflector.
- Steel frame with integrated decorative glass transparent, matt inside.

Code	Description	Kg
<b>Conventional Ballast &amp; Capacitor</b>		
48212	1x70W HIT-DE or HST-DE/RX7s	2,850
48222	1x150W HIT-DE or HST-DE/RX7s	3,050
<b>Electronic Ballast</b>		
48213	1x70W HIT-DE or HST-DE/RX7s	1,200
48223	1x150W HIT-DE or HST-DE/RX7s	1,300



QUADRO 160 / QUADRO 200

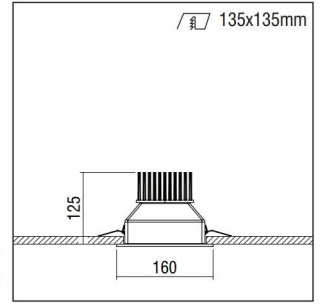
QUADRO 160 LED CHIP



CE	F	IP 43
0°	0°	1-20mm
LED	ta 25°C	Included

- Version for LED CHIP.
- Specular anodized aluminium reflector.
- Steel frame with sandblast methacrylate PMMA cover.
- Die-cast aluminium heatsink.
- Efficiency:  
 22W: 4000 K: 2290 Lumen, CRI: min. 75  
 22W: 3000 K: 2130 Lumen, CRI: min. 80  
 Maximum: 104 Lm/W

Code	Description	Kg
4819	QUADRO 160 LED CHIP 22W	0,800



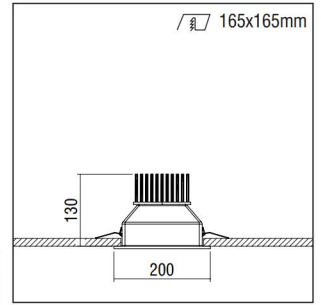
QUADRO 200 LED CHIP



CE	F	IP 43
0°	0°	1-20mm
LED	ta 25°C	Included

- Version for LED CHIP.
- Specular anodized aluminium reflector.
- Steel frame with sandblast methacrylate PMMA cover.
- Die-cast aluminium heatsink.
- Efficiency:  
 22W: 4000 K: 2290 Lumen, CRI: min. 75  
 22W: 3000 K: 2130 Lumen, CRI: min. 80  
 Maximum: 104 Lm/W

Code	Description	Kg
4829	QUADRO 200 LED CHIP 22W	1,000



LED COLOUR CODES:

2 Warm 3 Neutral

Colour Codes:

0 Colours 1 White 2 Titan 3 Black 4 Chrome 5 matt Alum.



QUADRO 160 / QUADRO 200



**LUNA 250+HOLE RING & COVER / LUNA SQUARE 250+HOLE FRAME & COVER**

LUNA 250+HOLE RING & COVER / LUNA SQUARE 250+HOLE FRAME & COVER is a range of recessed luminaires with high efficiency. This downlight product range teams exquisite, consistent design with high levels of practical functionality. Due to the special cover and the ability to fit the fixture with different lamp powers, it is ideal for various applications where diffuse lighting is needed.

**Technical Features**

- Outer ring or frame from die-cast aluminium, painted electrostatically in selected colour or plated.
- Inner body from die-cast aluminium.
- Semi-specular anodized aluminium reflector with a fine pear structure trim with opal polycarbonate cover and centered reflector.
- Support to the ceiling with metal plates adjustable in height.
- Lamp placement in horizontal position.
- Control gear in a separate box.
- Connection for operation on 230V-50Hz with conventional ballast and power factor correction capacitor (lamp TC-D).
- Connection for operation on 230V-50/60Hz with electronic ballast (lamps TC-DEL).
- Connection for operation with electronic dimmable ballast (lamp TC-DEL).
- Connection for emergency lighting system (lamp TC-DEL).

LUNA 250+HOLE RING & COVER / LUNA SQUARE 250+HOLE FRAME & COVER

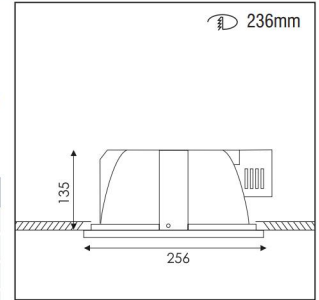
LUNA 250+HOLE RING & COVER



CE	F	IP 20
0°	0°	1-40mm
TC-D OSRAM: DULUX D PHILIPS: PL-C	TC-DEL OSRAM: DULUX D/E PHILIPS: PL-C/UP	TC-TEL OSRAM: DULUX T/E PHILIPS: PL-T/UP
Included		

- Version for TC-D, TC-DEL, TC-TEL.
- Outer ring from die-cast aluminium.
- Inner body from die-cast aluminium.
- Semi-specular anodized aluminium reflector with a fine pear structure trim with opal polycarbonate cover and centered reflector.

Code	Description	Kg
<b>Conventional Ballast &amp; Capacitor</b>		
48412	2x26W TC-D/G24d-3	2,800
<b>Electronic Ballast</b>		
48413	2x26W TC-DEL/G24q-3	1,800
48423	2x32/42W TC-TEL/GX24q-3,4	1,800



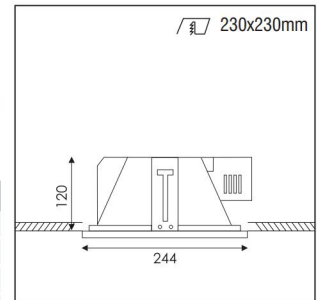
LUNA SQUARE 250+HOLE FRAME & COVER



CE	F	IP 20
0°	0°	1-40mm
TC-D OSRAM: DULUX D PHILIPS: PL-C	TC-DEL OSRAM: DULUX D/E PHILIPS: PL-C/UP	TC-TEL OSRAM: DULUX T/E PHILIPS: PL-T/UP
Included		

- Version for TC-D, TC-DEL, TC-TEL.
- Outer frame from die-cast aluminium.
- Inner body from die-cast aluminium.
- Semi-specular anodized aluminium reflector with a fine pear structure trim with opal polycarbonate cover and centered reflector.

Code	Description	Kg
<b>Conventional Ballast &amp; Capacitor</b>		
48312	2x26W TC-D/G24d-3	2,700
<b>Electronic Ballast</b>		
48313	2x26W TC-DEL/G24q-3	1,700
48323	2x32/42W TC-TEL/GX24q-3,4	1,700



Colour Codes:

- 1 White
- 2 Titan



## GESSI



This new line of products has been studied and designed to be inserted in walls and ceilings, obtaining invisible illumination and perfectly intergrated spaces. Infact, the plaster is completely inserted in the plasterboard ceiling, only with the use of some putty, creating an invisible light aspect, eliminating the decorative frames. This collection exalts the beauty and the purity of white when it is fully intergrated, but can be easily painted as the colour of the ceiling or wall. Further to the aesthetic aspect, the plaster has also other good qualities: it is not conductive, non-toxic, non-flammable and can be washed or repainted.

## Technical Features

- Plaster trimless recessed luminaire.
- Installation frame from steel.
- Lamp placement in horizontal position.
- Control gear in a separate box.
- Connection for operation on 230V-50Hz with conventional ballast and power factor correction capacitor (lamp TC-D).
- Connection for operation on 230V-50/60Hz with electronic ballast (lamps TC-DEL).
- Connection for operation with electronic dimmable ballast (lamp TC-DEL).
- Connection for emergency lighting system (lamp TC-DEL).

GESSI

GESSI FLUO



CE F IP 20

0° 0° 10mm

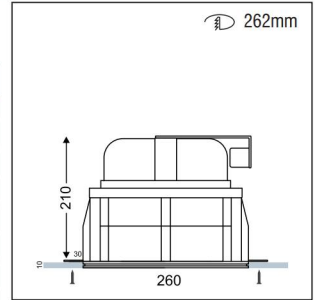
TC-D TC-DEL TC-TEL

OSRAM: DULUX D PHILIPS: PL-C OSRAM: DULUX D/E PHILIPS: PL-C/EP OSRAM: DULUX T/E PHILIPS: PL-T/EP

Included

- Version for TC-D, TC-DEL, TC-TEL.  
 - Installation frame from steel.

Code	Description	Kg
<b>Conventional Ballast &amp; Capacitor</b>		
463521	2x13W TC-D/G24d-1	4,000
463621	2x18W TC-D/G24d-2	4,000
463721	2x26W TC-D/G24d-3	4,000
<b>Electronic Ballast</b>		
463331	1x32W TC-TEL/GX24q-3	3,200
463531	2x13W TC-DEL/G24q-1	3,200
463631	2x18W TC-DEL/G24q-2	3,200
463731	2x26W TC-DEL/G24q-3	3,200
463831	2x32W TC-TEL/GX24q-3	3,200



**TUBO 220****TUBO 220 FLUO+RDL**

The TUBO serie is characterized by a group of ceiling projectors with reduced dimensions and use of energy saving lamps to guarantee a good level of illumination with limited consumption. It can be supplied with a round dark light louvre RDL (round dark light) upon request. Also, it can be provided with a waterproof box to assemble on the projector with protection grade IP54 and the same can be supplied with a bar to be fixed on the ceiling, transforming it in a suspended luminaire.

**TUBO 220 HIT**

The TUBO serie is characterized by a group of ceiling projectors with reduced dimensions and use of discharge lamps to guarantee a good level of illumination with limited consumption. It can be provided with a waterproof box to assemble on the projector with protection grade IP54 and also the same can be supplied with a bar to be fixed on the ceiling, transforming it in a suspended luminaire.

**Technical Features**

- Aluminium body, painted electrostatically in selected colour or plated.
- Specular high pure aluminium reflectors anodized or matt aluminium reflectors for HIT version.
- Radial screen for improved glare control from specular anodized aluminium.
- Tempered protection glass available in silkscreen TRD or sandblast SB.
- Lamp placement in horizontal position.
- Connection for operation on 230V-50Hz with conventional ballast and power factor correction capacitor (lamp TC-D).
- Connection for operation on 230V-50/60Hz with electronic ballast (lamps TC-DEL).
- Connection for operation with electronic dimmable ballast (lamp TC-DEL).
- Connection for emergency lighting system (lamp TC-DEL).

**Upon request**

- The above luminaire is available for fluorescent compact lamps (E27) max.20W.

**For LED Version**

- Pure light without IR/UV radiation.
- Die cast aluminum heatsink anodized.
- Efficient thermal management.
- Operation life: 50,000 hours with efficiency > 70% of the initial luminous flux.
- Connection for operation with Constant Current.

**Upon request:**

- Available with highest colour rendering index (CRI)

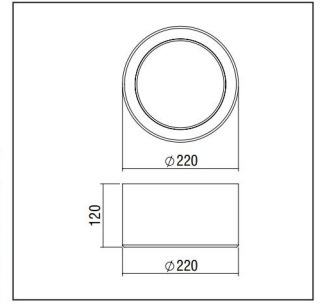
TUBO 220

TUBO 220 FLUO



CE	F	IP 40
TC-D	TC-DEL	
OSRAM: DULUX D PHILIPS: PL-C	OSRAM: DULUX D/E PHILIPS: PL-C/UP	Included

- Version for TC-D, TC-DEL.
- Aluminium body.
- Tempered protection glass available in silkscreen TRD or sandblast SB.
- Specular aluminium reflector anodized.



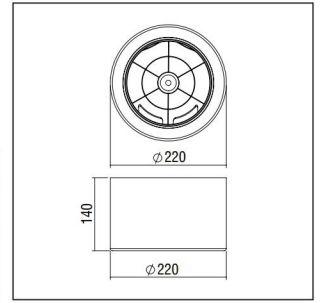
Code	Description	Kg
<b>Conventional Ballast &amp; Capacitor</b>		
48742	1x18W TC-D/G24d-2 Silkscreen	1,650
48752	1x26W TC-D/G24d-3 Silkscreen	1,650
48762	2x13W TC-D/G24d-1 Silkscreen	1,800
48772	2x18W TC-D/G24d-2 Silkscreen	1,800
48842	1x18W TC-D/G24d-2 Sandblast	1,650
48852	1x26W TC-D/G24d-3 Sandblast	1,650
48862	2x13W TC-D/G24d-1 Sandblast	1,800
48872	2x18W TC-D/G24d-2 Sandblast	1,800
<b>Electronic Ballast</b>		
48743	1x18W TC-DEL/G24q-2 Silkscreen	1,150
48753	1x26W TC-DEL/G24q-3 Silkscreen	1,150
48763	2x13W TC-DEL/G24q-1 Silkscreen	1,300
48773	2x18W TC-DEL/G24q-2 Silkscreen	1,300
48783	2x26W TC-DEL/G24q-3 Silkscreen	1,300
48843	1x18W TC-DEL/G24q-2 Sandblast	1,150
48853	1x26W TC-DEL/G24q-3 Sandblast	1,150
48863	2x13W TC-DEL/G24q-1 Sandblast	1,300
48873	2x18W TC-DEL/G24q-2 Sandblast	1,300
48883	2x26W TC-DEL/G24q-3 Sandblast	1,300

TUBO 220 RDL FLUO



CE	F	IP 20
TC-D	TC-DEL	
OSRAM: DULUX D PHILIPS: PL-C	OSRAM: DULUX D/E PHILIPS: PL-C/UP	Included

- Version for TC-D, TC-DEL.
- Aluminium body.
- Radial screen for improved glare control from specular anodized aluminium.
- Specular aluminium reflector anodized.



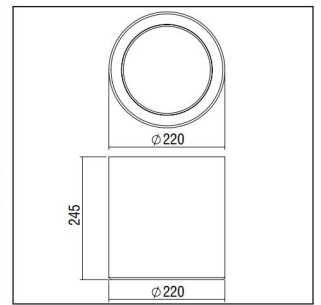
Code	Description	Kg
<b>Conventional Ballast &amp; Capacitor</b>		
49042	2x13W TC-D/G24d-1	1,700
49052	2x18W TC-D/G24d-2	1,700
<b>Electronic Ballast</b>		
49043	2x13W TC-DEL/G24q-1	1,200
49053	2x18W TC-DEL/G24q-2	1,200
49063	2x26W TC-DEL/G24q-3	1,200

TUBO 220 HIT-DE, HST-DE



CE	F	IP 40
HIT-DE	HST-DE	
OSRAM: HIT-DE, HST-DE PHILIPS: HIR-TR, COB-D	OSRAM: HIR-TR PHILIPS: -	Included

- Version for HIT-DE, HST-DE.
- Aluminium body.
- Tempered protection glass available in silkscreen TRD or sandblast SB.
- Matt aluminium reflector.



Code	Description	Kg
48712	1x70W HIT-DE, HST-DE/RX7s Silkscreen	2,500
48722	1x150W HIT-DE, HST-DE/RX7s Silkscreen	3,000
48812	1x70W HIT-DE, HST-DE/RX7s Sandblast	2,500
48822	1x150W HIT-DE, HST-DE/RX7s Sandblast	3,000

Colour Codes:

- 0 Colours 1 White 2 Titan 3 Black 4 Chrome 5 matt Alum.

TUBO 220

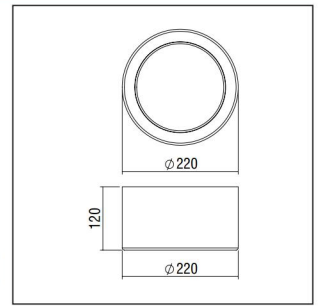
TUBO 220 LED CHIP



CE	F		IP 20
0°	0°		
LED	5 YEAR WARRANTY	ta 25°C	Included

- Version for LED CHIP.
- Aluminium body.
- Matt anodized aluminium reflector.
- Sandblast methacrylate PMMA cover.
- Die-cast aluminium heatsink.
- Efficiency:
- 22W: 4000 K: 2290 Lumen, CRI: min. 75
- 22W: 3000 K: 2130 Lumen, CRI: min. 80
- Maximum: 104 Lm/W

Code	Description	Kg
4898	Tubo 220 LED CHIP 22W	1,300



LED COLOUR CODES:

2 Warm 3 Neutral

Colour Codes:

0 Colours 1 White 2 Titan 3 Black 4 Chrome 5 matt Alum.

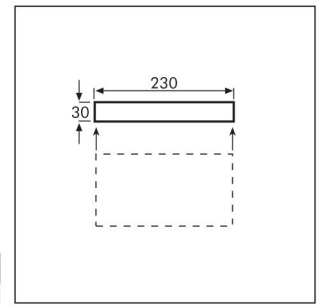
TUBO 220 - ACCESSORY - Installation Base



CE			IP 54
----	--	--	-------

- Installation polycarbonate base with gasket.
- IP protection 54.

Code	Description	Kg
400301	Installation Base BA4PL	0,500



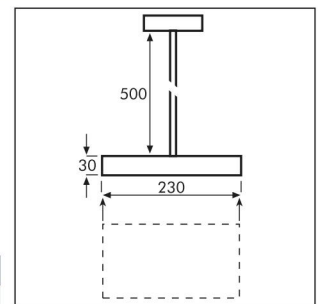
TUBO 220 - ACCESSORY - Fixed Suspension



CE			IP 54
----	--	--	-------

- Fixed suspension with installation base.
- IP protection 54.

Code	Description	Kg
400302	Fixed suspension BA4SOS	1,000





TUBO 220



**ORAMA****ORAMA FLUO**

The Orama Fluo serie is characterized by a group of ceiling projectors with reduced dimensions and use of energy saving lamps to guarantee a good level of illumination with limited consumption. Due to different covers and the ability to fit the fixture with different lamp powers, it is ideal for various applications where diffuse lighting is needed.

**ORAMA HIT**

The Orama Hit serie is characterized by a group of ceiling projectors with reduced dimensions and use of discharge lamps to guarantee a good level of illumination with limited consumption. Due to different covers and the ability to fit the fixture with different lamp powers, it is ideal for various applications where diffuse lighting is needed.

**Technical Features**

- Steel body, painted electrostatically in selected colour or plated.
- Specular high pure aluminium reflectors anodized or matt aluminium reflectors for HIT version.
- Tempered protection glass available in silkscreen TRD or sandblast SB.
- Lamp placement in horizontal position.
- Connection for operation on 230V-50Hz with conventional ballast and power factor correction capacitor (lamp TC-D).
- Connection for operation on 230V-50/60Hz with electronic ballast (lamps TC-DEL).

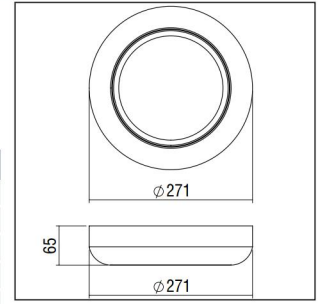
ORAMA

ORAMA FLUO



CE	F	IP 20
0°	0°	
TC-D OSRAM: DULUX D PHILIPS: PL-C	TC-DEL OSRAM: DULUX DE PHILIPS: PL-C-UP	OSRAM: DULUX EL PHILIPS: PL-C-ELECT
		Included 

- Version for TC-D, TC-DEL, TC-TSE.
- Steel body.
- Tempered protection glass available in silkscreen TRD or sandblast SB.
- Specular aluminium reflector anodized.



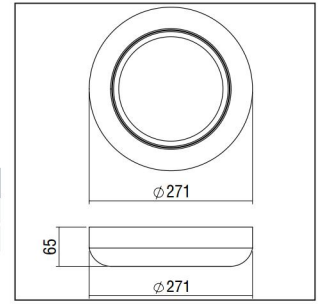
Code	Description	Kg
<b>Conventional Ballast &amp; Capacitor</b>		
49122	2x13W TC-D/G24d-1 Silkscreen	2,000
49132	2x18W TC-D/G24d-2 Silkscreen	2,000
49142	2x26W TC-D/G24d-3 Silkscreen	2,000
49159	2xmax.20W TC-TSE/E27 Silkscreen	1,500
49222	2x13W TC-D/G24d-1 Sandblast	2,000
49232	2x18W TC-D/G24d-2 Sandblast	2,000
49242	2x26W TC-D/G24d-3 Sandblast	2,000
49259	2xmax.20W TC-TSE/E27 Sandblast	1,500
<b>Electronic Ballast</b>		
49123	2x13W TC-DEL/G24q-1 Silkscreen	1,300
49133	2x18W TC-DEL/G24q-2 Silkscreen	1,300
49143	2x26W TC-DEL/G24q-3 Silkscreen	1,300
49223	2x13W TC-DEL/G24q-1 Sandblast	1,300
49233	2x18W TC-DEL/G24q-2 Sandblast	1,300
49243	2x26W TC-DEL/G24q-3 Sandblast	1,300

ORAMA HIT-DE, HST-DE



CE	F	IP 20
0°	0°	
HIT-DE OSRAM: HIT-DE PHILIPS: MR16-COM-10	HST-DE OSRAM: MR16-10 PHILIPS: MR16-10	
		Included 

- Version for HIT-DE, HST-DE.
- Steel body.
- Tempered protection glass available in silkscreen TRD or sandblast SB.
- Matt aluminium reflector.



Code	Description	Kg
49112	1x70W HIT-DE, HST-DE/RX7s Silkscreen	2,400
49212	1x70W HIT-DE, HST-DE/RX7s Sandblast	2,400

Colour Codes:

- 0 Colours 1 White 2 Titan 3 Black 4 Chrome 5 matt Alum.

