

## TUBO 220



## TUBO 220 FLUO +RDL

The TUBO serie is characterized by a group of ceiling projectors with reduced dimensions and use of energy saving lamps to guarantee a good level of illumination with limited consumption. It can be supplied with a round dark light louvre RDL (round dark light) upon request. Also, it can be provided with a waterproof box to assemble on the projector with protection grade IP54 and the same can be supplied with a bar to be fixed on the ceiling, transforming it in a suspended luminaire.

## TUBO 220 HIT

The TUBO serie is characterized by a group of ceiling projectors with reduced dimensions and use of discharge lamps to guarantee a good level of illumination with limited consumption. It can be provided with a waterproof box to assemble on the projector with protection grade IP54 and also the same can be supplied with a bar to be fixed on the ceiling, transforming it in a suspended luminaire.

## Technical Features

- Aluminium body, painted electrostatically in selected colour or plated.
- Specular high pure aluminium reflectors anodized or matt aluminium reflectors for HIT version.
- Radial screen for improved glare control from specular anodized aluminium.
- Tempered protection glass available in silkscreen TRD or sandblast SB.
- Lamp placement in horizontal position.
- Connection for operation on 230V-50Hz with conventional ballast and power factor correction capacitor (lamp TC-D).
- Connection for operation on 230V-50/60Hz with electronic ballast (lamps TC-DEL).
- Connection for operation with electronic dimmable ballast (lamp TC-DEL).
- Connection for emergency lighting system (lamp TC-DEL).

**Upon request**

- The above luminaire is available for fluorescent compact lamps (E27) max.20W.

**For LED Version**

- Pure light without IR/UV radiation.
- Die cast aluminum heatsink anodized.
- Efficient thermal management.
- Operation life: 50,000 hours with efficiency > 70% of the initial luminous flux.
- Connection for operation with Constant Current.

**Upon request:**

- Available with highest colour rendering index (CRI)

TUBO 220

TUBO 220 FLUO



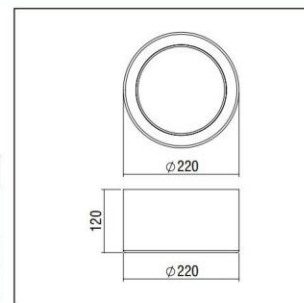
CE F IP 40

TC-D TC-DEL

OSRAM: DULUX D PHILIPS: PL-C OSRAM: DULUX DE PHILIPS: PL-GIP

Included

- Version for TC-D, TC-DEL.
- Aluminium body.
- Tempered protection glass available in silkscreen TRD or sandblast SB.
- Specular aluminium reflector anodized.



Code	Description	Kg
<b>Conventional Ballast &amp; Capacitor</b>		
48742	1x18W TC-D/G24d-2 Silkscreen	1,650
48752	1x26W TC-D/G24d-3 Silkscreen	1,650
48762	2x13W TC-D/G24d-1 Silkscreen	1,800
48772	2x18W TC-D/G24d-2 Silkscreen	1,800
48842	1x18W TC-D/G24d-2 Sandblast	1,650
48852	1x26W TC-D/G24d-3 Sandblast	1,650
48862	2x13W TC-D/G24d-1 Sandblast	1,800
48872	2x18W TC-D/G24d-2 Sandblast	1,800
<b>Electronic Ballast</b>		
48743	1x18W TC-DEL/G24q-2 Silkscreen	1,150
48753	1x26W TC-DEL/G24q-3 Silkscreen	1,150
48763	2x13W TC-DEL/G24q-1 Silkscreen	1,300
48773	2x18W TC-DEL/G24q-2 Silkscreen	1,300
48783	2x26W TC-DEL/G24q-3 Silkscreen	1,300
48843	1x18W TC-DEL/G24q-2 Sandblast	1,150
48853	1x26W TC-DEL/G24q-3 Sandblast	1,150
48863	2x13W TC-DEL/G24q-1 Sandblast	1,300
48873	2x18W TC-DEL/G24q-2 Sandblast	1,300
48883	2x26W TC-DEL/G24q-3 Sandblast	1,300

TUBO 220 RDL FLUO



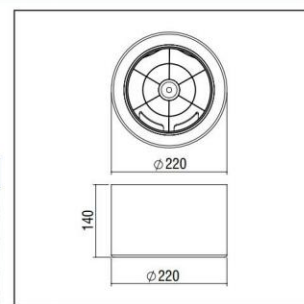
CE F IP 20

TC-D TC-DEL

OSRAM: DULUX D PHILIPS: PL-C OSRAM: DULUX DE PHILIPS: PL-GIP

Included

- Version for TC-D, TC-DEL.
- Aluminium body.
- Radial screen for improved glare control from specular anodized aluminium.
- Specular aluminium reflector anodized.



Code	Description	Kg
<b>Conventional Ballast &amp; Capacitor</b>		
49042	2x13W TC-D/G24d-1	1,700
49052	2x18W TC-D/G24d-2	1,700
<b>Electronic Ballast</b>		
49043	2x13W TC-DEL/G24q-1	1,200
49053	2x18W TC-DEL/G24q-2	1,200
49063	2x26W TC-DEL/G24q-3	1,200

TUBO 220 HIT-DE, HST-DE



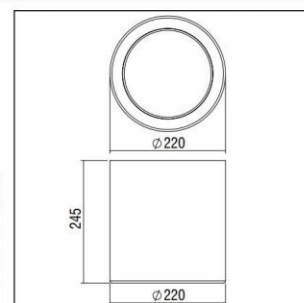
CE F IP 40

HIT-DE HST-DE

OSRAM: HIT-TL, HST-TL PHILIPS: HIT-TL, HST-TL OSRAM: HIT-TL, HST-TL PHILIPS: HIT-TL, HST-TL

Included

- Version for HIT-DE, HST-DE.
- Aluminium body.
- Tempered protection glass available in silkscreen TRD or sandblast SB.
- Matt aluminium reflector.



Code	Description	Kg
48712	1x70W HIT-DE, HST-DE/RX7s Silkscreen	2,500
48722	1x150W HIT-DE, HST-DE/RX7s Silkscreen	3,000
48812	1x70W HIT-DE, HST-DE/RX7s Sandblast	2,500
48822	1x150W HIT-DE, HST-DE/RX7s Sandblast	3,000

Colour Codes:

- 0 Colours 1 White 2 Titan 3 Black 4 Chrome 5 matt Alum.

TUBO 220

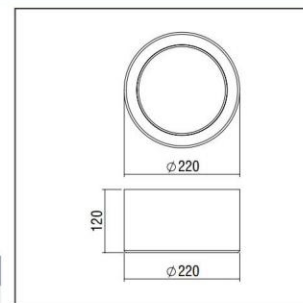
TUBO 220 LED CHIP



CE	F		IP 20
LED	LED CHIP	ta 25°C	Included

- Version for LED CHIP.
- Aluminium body.
- Matt anodized aluminium reflector.
- Sandblast methacrylate PMMA cover.
- Die-cast aluminium heatsink.
- Efficiency:

Code	Description	Kg
4898	Tubo 220 LED CHIP 22W	1,300



<b>LED COLOUR CODES:</b>	<b>Colour Codes:</b>
2 Warm 3 Neutral	0 Colours 1 White 2 Titan 3 Black 4 Chrome 5 matt Alum.

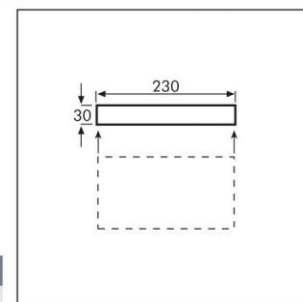
TUBO 220 - ACCESSORY - Installation Base



CE			IP 54

- Installation polycarbonate base with gasket.
- IP protection 54.

Code	Description	Kg
400301	Installation Base BA4PL	0,500



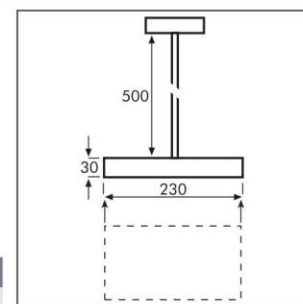
TUBO 220 - ACCESSORY - Fixed Suspension



CE			IP 54

- Fixed suspension with installation base.
- IP protection 54.

Code	Description	Kg
400302	Fixed suspension BA4SOS	1,000





TUBO 220

