

**MINI TEO ORIENTABILE**

MINI TEO ORIENTABILE is an adjustable and extractable ceiling downlight for metal halide lamps. It highlights impressively premises, such as shopping malls, stores, hotels, exhibition halls, museums etc.

**Technical Features**

- Die-cast aluminium body.
- Die-cast aluminium adjustable internal ring.
- Tempered protection silkscreen glass.
- Easy mounting with clips.
- Control gear in a separate box.
- Connection for operation on 230V-50Hz with conventional ballast and power factor correction capacitor.
- Connection for operation on 230V-50/60Hz with electronic ballast.

MINI TEO ORIENTABILE

MINI TEO ORIENTABILE HIT-CE

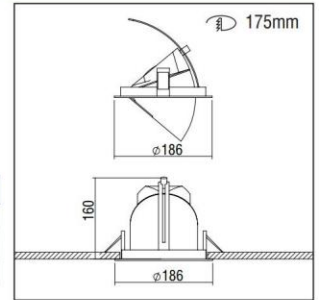


CE	F	IP 40
60°	350°	1-40mm
HIT-CE	CG	
OSRAM HCL-T	PHILIPS DSM-T	

- Version for HIT-CE/G12.
- Die-cast aluminium body and ring.
- Matt aluminium reflector (Spot, Medium, Wide).
- Tempered protection silkscreen glass.

Code	Description	Kg
88701	MINI TEO ORIENTABILE 1x35/70W HIT-CE/G12 Spot	1,050
88702	MINI TEO ORIENTABILE 1x35/70W HIT-CE/G12 Medium	1,050
88703	MINI TEO ORIENTABILE 1x35/70W HIT-CE/G12 Wide	1,050

Please order Control Gear separately



Colour Codes:

- 1 White 2 Titan

CONTROL GEAR - TRANSFORMERS

DESCRIPTION	TYPE	Conventional Control Gear & Capacitor		Electronic Control Gear	
		CODE		CODE	
Metal halide lamps (HIT) or high pressure sodium lamps (HST)					
35W HIT AVO	CONTROL GEAR	498222		498223	
70W HIT - HST Display	CONTROL GEAR	498312		498323	
70W HIT - HST (for lum. AVO - TEO)	CONTROL GEAR	498322			