

## LUNA SQUARE



Luna Square is a compact recessed luminaire with high efficiency. This downlight product range teams exquisite, consistent design with high levels of practical functionality. Due to different covers and the ability to fit the fixture with different lamp powers, it is ideal for various applications where diffuse lighting is needed.

### Technical Features

- Outer frame from die-cast aluminium, painted electrostatically in selected colour or plated.
- Inner body from steel.
- High pure aluminium reflectors anodized.
- Crusiform louvre non-iridescent with parabolic blades made of pure aluminium.
- Protection glass available in sandblast SB or Mistlite.
- Support to the ceiling with metal plates adjustable in height.
- Lamp placement in horizontal position.
- Control gear in a separate box or integrated for 1-2/13-26W (TC-DEL).
- Connection for operation on 230V-50Hz with conventional ballast and power factor correction capacitor (lamp TC-D).
- Connection for operation on 230V-50/60Hz with electronic ballast (lamps TC-DEL).
- Connection for operation with electronic dimmable ballast (lamp TC-DEL).
- Connection for emergency lighting system (lamp TC-DEL).

LUNA SQUARE

LUNA SQUARE FLUO



CE F IP 43

0° 0° 1-30mm

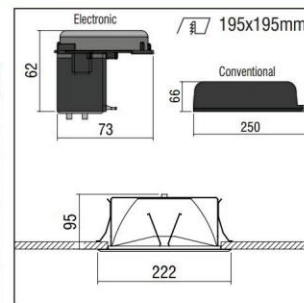
TC-D TC-DEL TC-TEL

OSRAM: DULUX D PHILIPS: PL-C OSRAM: DULUX D/E PHILIPS: PL-C/EP OSRAM: DULUX T/E PHILIPS: PL-T/EP OSRAM: DULUX EL PHILIPS: PL-EL/EL

Included

- Version for TC-D, TC-DEL, TC-TEL, TC-TSE.
- Protection glass in sandblast SB or Mistlite.

Code	Description	Kg
<b>Conventional Ballast &amp; Capacitor</b>		
44212	1x18W TC-D/G24d-2 Mistlite	1,800
44222	1x26W TC-D/G24d-3 Mistlite	1,800
44252	2x13W TC-D/G24d-1 Mistlite	1,930
44262	2x18W TC-D/G24d-2 Mistlite	1,930
44272	2x26W TC-D/G24d-3 Mistlite	1,930
44429	2xmax.20W TC-TSE/E27 Mistlite <i>without control gear</i>	0,750
44312	1x18W TC-D/G24d-2 Sandblast	1,800
44322	1x26W TC-D/G24d-3 Sandblast	1,800
44352	2x13W TC-D/G24d-1 Sandblast	1,930
44362	2x18W TC-D/G24d-2 Sandblast	1,930
44372	2x26W TC-D/G24d-3 Sandblast	1,930
44529	2xmax.20W TC-TSE/E27 Sandblast <i>without control gear</i>	0,750
<b>Electronic Ballast</b>		
44213	1x18W TC-DEL/G24q-2 Mistlite	1,000
44223	1x26W TC-DEL/G24q-3 Mistlite	1,000
44233	1x32W TC-TEL/GX24q-3 Mistlite	1,100
44253	2x13W TC-DEL/G24q-1 Mistlite	1,050
44263	2x18W TC-DEL/G24q-2 Mistlite	1,050
44273	2x26W TC-DEL/G24q-3 Mistlite	1,050
44283	2x32W TC-TEL/GX24q-3 Mistlite	1,150
44313	1x18W TC-DEL/G24q-2 Sandblast	1,000
44323	1x26W TC-DEL/G24q-3 Sandblast	1,000
44333	1x32W TC-TEL/GX24q-3 Sandblast	1,100
44353	2x13W TC-DEL/G24q-1 Sandblast	1,050
44363	2x18W TC-DEL/G24q-2 Sandblast	1,050
44373	2x26W TC-DEL/G24q-3 Sandblast	1,050
44383	2x32W TC-TEL/GX24q-3 Sandblast	1,150



LUNA SQUARE VD FLUO



CE F IP 20

0° 0° 1-30mm

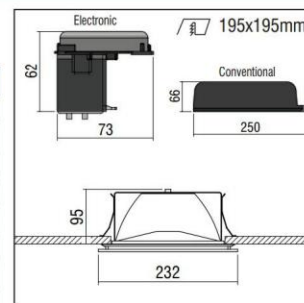
TC-D TC-DEL TC-TEL

OSRAM: DULUX D PHILIPS: PL-C OSRAM: DULUX D/E PHILIPS: PL-C/EP OSRAM: DULUX T/E PHILIPS: PL-T/EP OSRAM: DULUX EL PHILIPS: PL-EL/EL

Included

- Version for TC-D, TC-DEL, TC-TEL.
- Suspended decorative glass transparent, matt inside.

Code	Description	Kg
<b>Conventional Ballast &amp; Capacitor</b>		
44812	1x18W TC-D/G24d-2	1,800
44822	1x26W TC-D/G24d-3	1,800
44852	2x13W TC-D/G24d-1	1,930
44862	2x18W TC-D/G24d-2	1,930
44872	2x26W TC-D/G24d-3	1,930
<b>Electronic Ballast</b>		
44813	1x18W TC-DEL/G24q-2	1,000
44823	1x26W TC-DEL/G24q-3	1,000
44833	1x32W TC-TEL/GX24q-3	1,100
44843	1x42W TC-TEL/GX24q-4	1,100
44853	2x13W TC-DEL/G24q-1	1,050
44863	2x18W TC-DEL/G24q-2	1,050
44873	2x26W TC-DEL/G24q-3	1,050
44883	2x32W TC-TEL/GX24q-3	1,150
44893	2x42W TC-TEL/GX24q-4	1,150



LUNA SQUARE

LUNA SQUARE CROSS FLUO



CE F IP 20

0° 0° 1-30mm

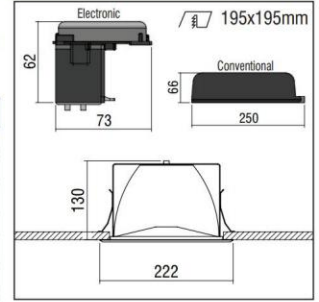
TC-D TC-DEL TC-TEL

OSRAM: DULUX D PHILIPS: PL-C OSRAM: DULUX D/E PHILIPS: PL-C/EP OSRAM: DULUX T/E PHILIPS: PL-T/EP

Included

- Version for TC-D, TC-DEL, TC-TEL.
- Crusiform louvre non-iridescent with parabolic blades made of pure aluminium.

Code	Description	Kg
<b>Conventional Ballast &amp; Capacitor</b>		
44952	2x13W TC-D/G24d-1	1,730
44962	2x18W TC-D/G24d-2	1,730
44972	2x26W TC-D/G24d-3	1,730
<b>Electronic Ballast</b>		
44953	2x13W TC-DEL/G24q-1	0,850
44963	2x18W TC-DEL/G24q-2	0,850
44973	2x26W TC-DEL/G24q-3	0,850
44983	2x32W TC-DEL/G24q-3	0,950
44993	2x42W TC-DEL/G24q-4	0,950



LUNA SQUARE HIT-DE, HST-DE



CE F IP 20

0° 0° 1-30mm

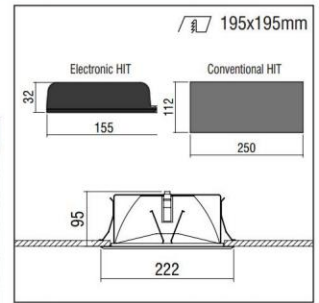
HIT-DE/RX7s HST-DE/RX7s

OSRAM: HIT-DE, HST-DE PHILIPS: HH-TL, HH-TS OSRAM: HST-DE PHILIPS: -

Included

- Version for HIT-DE, HST-DE.
- Matt anodized aluminium reflector.
- Protection glass in sandblast SB or Mistlite.

Code	Description	Kg
<b>Conventional Ballast &amp; Capacitor</b>		
44612	1x70W HIT-DE or HST-DE/RX7s Mistlite	2,750
44622	1x150W HIT-DE or HST-DE/RX7s Mistlite	2,850
44712	1x70W HIT-DE or HST-DE/RX7s Sandblast	2,750
44722	1x150W HIT-DE or HST-DE/RX7s Sandblast	2,850
<b>Electronic Ballast</b>		
44613	1x70W HIT-DE or HST-DE/RX7s Mistlite	1,050
44623	1x150W HIT-DE or HST-DE/RX7s Mistlite	1,050
44713	1x70W HIT-DE or HST-DE/RX7s Sandblast	1,050
44723	1x150W HIT-DE or HST-DE/RX7s Sandblast	1,050



LUNA SQUARE for Speaker



CE F IP 20

- Outer frame from die-cast aluminium.

Code	Description	Kg
45000	LUNA SQUARE for Speaker	0,500
400501	Speaker 18W	0,700

Colour Codes:

- 0 Colours 1 White 2 Titan 3 Black 4 Chrome 5 matt Alum.



LUNA SQUARE

