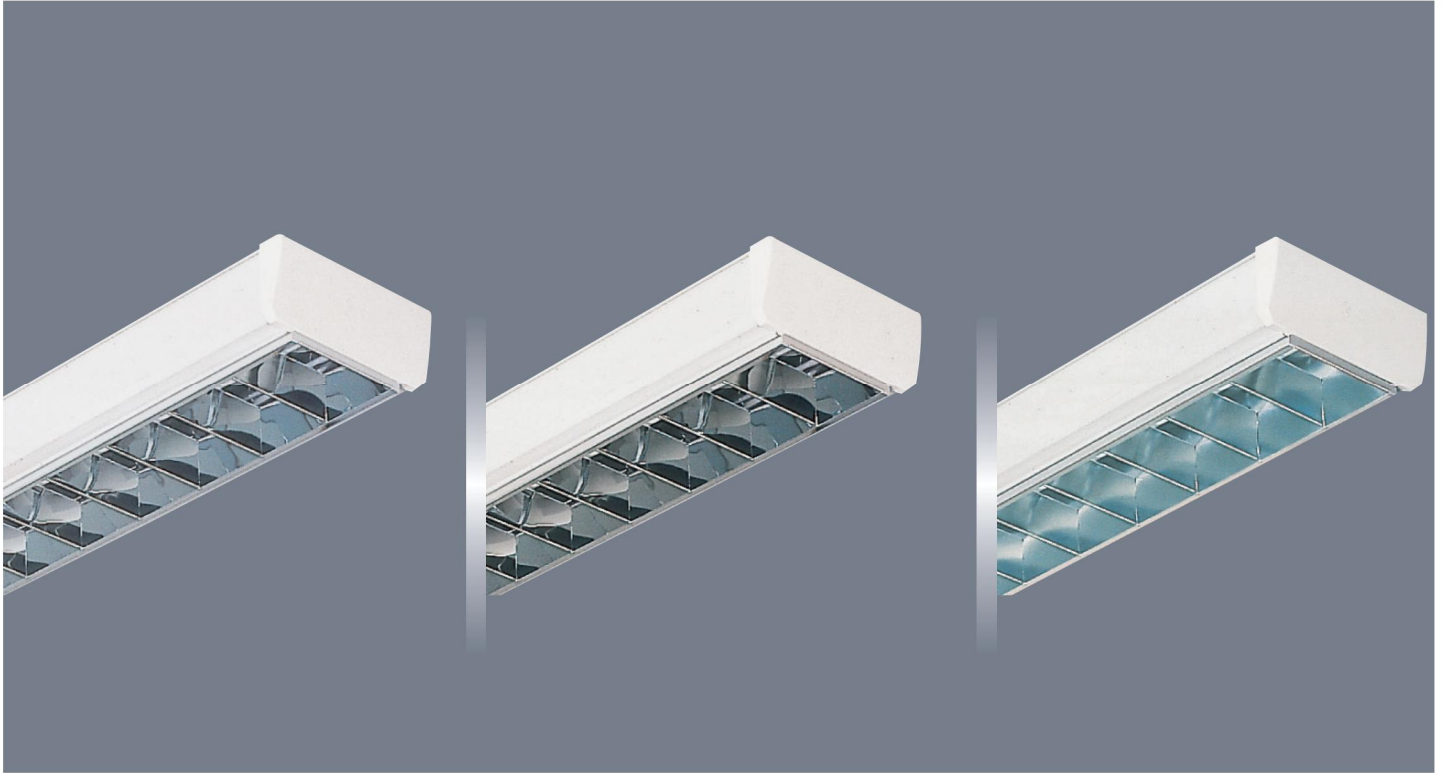


	PAGE
■ FILI	36
■ ARETE	46
■ LINEA	53
■ KP	54

FILI



Technical Features

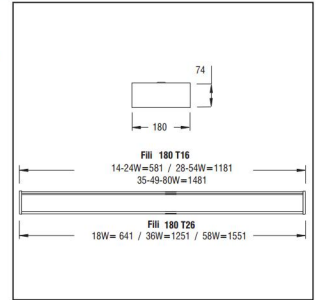
- Luminaires for fluorescent lamps T16 & T26.
- Body in hot-galvanized steel, electrostatically painted in white colour.
- Metal end caps with cover element in white bayblend, removable to form channels.
- Connection for operation on 230V-50/60Hz with conventional ballast and power factor correction capacitor (lamps T26).
- Connection for operation on 230V-50/60Hz with electronic ballast (lamps T16 & T26).
- Connection for operation with electronic dimmable ballast (lamps T16 & T26).
- Connection for emergency lighting system (lamps T16 & T26).

FILI

FILI 180 2M

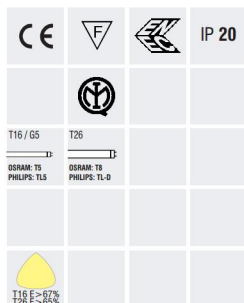


- Screen 2M with parabolic transverse louvres and double parabolic longitudinal components (reflectors), from anodized non iridescent specular aluminium.
- 2M louvre has illuminance <math><200\text{cd/m}^2</math> for radial angles >math>65^\circ</math>.

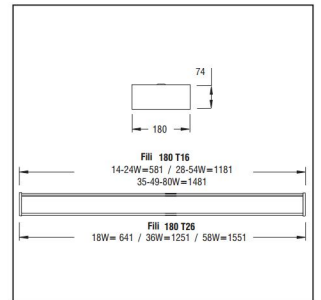


Description	Dimensions	Electronic Ballast Code
FILI 180 1x13/14W T16 2M		681173
FILI 180 1x20/24W T16 2M		681273
FILI 180 1x25/28W T16 2M	180 x 1210 x 85	681233
FILI 180 1x50/54W T16 2M	180 x 1210 x 85	681353
FILI 180 1x32/35W T16 2M	180 x 1510 x 85	681253
FILI 180 1x45/49W T16 2M	180 x 1510 x 85	681333
FILI 180 1x73/80W T16 2M	180 x 1510 x 85	681393
FILI 180 2x13/14W T16 2M		681183
FILI 180 2x20/24W T16 2M		681283
FILI 180 2x25/28W T16 2M	180 x 1210 x 85	681243
FILI 180 2x50/54W T16 2M	180 x 1210 x 85	681363
FILI 180 2x32/35W T16 2M	180 x 1510 x 85	681263
FILI 180 2x45/49W T16 2M	180 x 1510 x 85	681343
FILI 180 2x73/80W T16 2M	180 x 1510 x 85	681403
FILI 180 1x18W T26 2M		681013
FILI 180 1x36W T26 2M	180 x 1280 x 85	681113
FILI 180 1x58W T26 2M	180 x 1590 x 85	681153

FILI 180 2S



- Screen 2S with parabolic transverse louvres and double parabolic longitudinal components (reflectors), from anodized non iridescent semi-glossy aluminium (non-reflecting).
- 2S louvre has illuminance <math><200\text{cd/m}^2</math> for radial angles >math>65^\circ</math>.



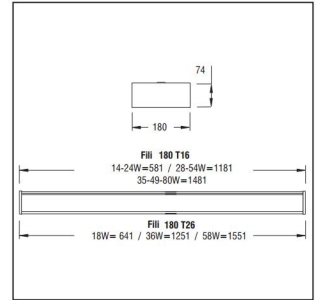
Description	Dimensions	Electronic Ballast Code
FILI 180 1x13/14W T16 2S		682173
FILI 180 1x20/24W T16 2S		682273
FILI 180 1x25/28W T16 2S	180 x 1210 x 85	682233
FILI 180 1x50/54W T16 2S	180 x 1210 x 85	682353
FILI 180 1x32/35W T16 2S	180 x 1510 x 85	682253
FILI 180 1x45/49W T16 2S	180 x 1510 x 85	682333
FILI 180 1x73/80W T16 2S	180 x 1510 x 85	682393
FILI 180 2x13/14W T16 2S		682183
FILI 180 2x20/24W T16 2S		682283
FILI 180 2x25/28W T16 2S	180 x 1210 x 85	682243
FILI 180 2x50/54W T16 2S	180 x 1210 x 85	682363
FILI 180 2x32/35W T16 2S	180 x 1510 x 85	682263
FILI 180 2x45/49W T16 2S	180 x 1510 x 85	682343
FILI 180 2x73/80W T16 2S	180 x 1510 x 85	682403
FILI 180 1x18W T26 2S		682013
FILI 180 1x36W T26 2S	180 x 1280 x 85	682113
FILI 180 1x58W T26 2S	180 x 1590 x 85	682153

FILI

FILI 180 3M

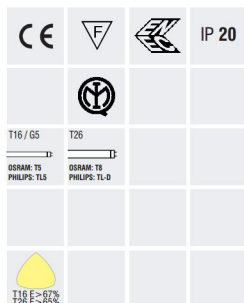


- Screen 3M with parabolic transverse louvres and double parabolic longitudinal components (reflectors), with square cell section from anodized non iridescent specular aluminium.

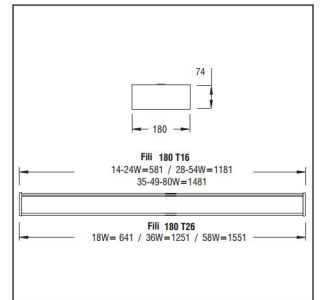


Description	Dimensions	Electronic Ballast Code
FILI 180 1x13/14W T16 3M		683173
FILI 180 1x20/24W T16 3M		683273
FILI 180 1x25/28W T16 3M	180 x 1210 x 85	683233
FILI 180 1x50/54W T16 3M	180 x 1210 x 85	683353
FILI 180 1x32/35W T16 3M	180 x 1510 x 85	683253
FILI 180 1x45/49W T16 3M	180 x 1510 x 85	683333
FILI 180 1x73/80W T16 3M	180 x 1510 x 85	683393
FILI 180 2x13/14W T16 3M		683183
FILI 180 2x20/24W T16 3M		683283
FILI 180 2x25/28W T16 3M	180 x 1210 x 85	683243
FILI 180 2x50/54W T16 3M	180 x 1210 x 85	683363
FILI 180 2x32/35W T16 3M	180 x 1510 x 85	683263
FILI 180 2x45/49W T16 3M	180 x 1510 x 85	683343
FILI 180 2x73/80W T16 3M	180 x 1510 x 85	683403
FILI 180 1x18W T26 3M		683013
FILI 180 1x36W T26 3M	180 x 1280 x 85	683113
FILI 180 1x58W T26 3M	180 x 1590 x 85	683153

FILI 180 3V



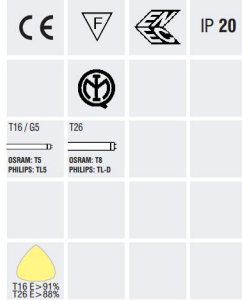
- Screen 3V with parabolic transverse louvres and double parabolic longitudinal components (reflectors), with square cell section in white painted aluminium.



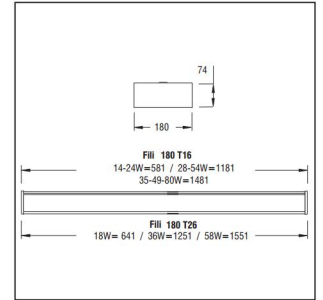
Description	Dimensions	Electronic Ballast Code
FILI 180 1x13/14W T16 3V		684173
FILI 180 1x20/24W T16 3V		684273
FILI 180 1x25/28W T16 3V	180 x 1210 x 85	684233
FILI 180 1x50/54W T16 3V	180 x 1210 x 85	684353
FILI 180 1x32/35W T16 3V	180 x 1510 x 85	684253
FILI 180 1x45/49W T16 3V	180 x 1510 x 85	684333
FILI 180 1x73/80W T16 3V	180 x 1510 x 85	684393
FILI 180 2x13/14W T16 3V		684183
FILI 180 2x20/24W T16 3V		684283
FILI 180 2x25/28W T16 3V	180 x 1210 x 85	684243
FILI 180 2x50/54W T16 3V	180 x 1210 x 85	684363
FILI 180 2x35/35W T16 3V	180 x 1510 x 85	684263
FILI 180 2x45/49W T16 3V	180 x 1510 x 85	684343
FILI 180 2x73/80W T16 3V	180 x 1510 x 85	684403
FILI 180 1x18W T26 3V		684013
FILI 180 1x36W T26 3V	180 x 1280 x 85	684113
FILI 180 1x58W T26 3V	180 x 1590 x 85	684153

FILI

FILI 180 with flow recuperator RFMG

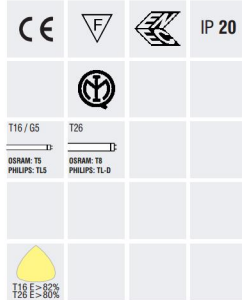


- Flow recuperator RFMG parabolic, in specular non-iridescent aluminium.
- Upon request: With asymmetric distribution.

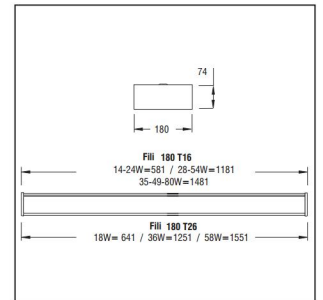


Description	Dimensions	Electronic Ballast Code
FILI 180 1x13/14W T16 RFMG		686173
FILI 180 1x20/24W T16 RFMG		686273
FILI 180 1x25/28W T16 RFMG	180 x 1210 x 85	686233
FILI 180 1x50/54W T16 RFMG	180 x 1210 x 85	686353
FILI 180 1x32/35W T16 RFMG	180 x 1510 x 85	686253
FILI 180 1x45/49W T16 RFMG	180 x 1510 x 85	686333
FILI 180 1x73/80W T16 RFMG	180 x 1510 x 85	686393
FILI 180 2x13/14W T16 RFMG		686183
FILI 180 2x20/24W T16 RFMG		686283
FILI 180 2x25/28W T16 RFMG	180 x 1210 x 85	686243
FILI 180 2x50/54W T16 RFMG	180 x 1210 x 85	686363
FILI 180 2x32/35W T16 RFMG	180 x 1510 x 85	686263
FILI 180 2x45/49W T16 RFMG	180 x 1510 x 85	686343
FILI 180 2x73/80W T16 RFMG	180 x 1510 x 85	686403
FILI 180 1x18W T26 RFMG		686013
FILI 180 1x36W T26 RFMG	180 x 1280 x 85	686113
FILI 180 1x58W T26 RFMG	180 x 1590 x 85	686153

FILI 180 with flow recuperator RFM



- Flow recuperator RFM parabolic, in semi-glossy aluminium non iridescent.
- Upon request: With asymmetric distribution.



Description	Dimensions	Electronic Ballast Code
FILI 180 1x13/14W T16 RFM		687173
FILI 180 1x20/24W T16 RFM		687273
FILI 180 1x25/28W T16 RFM	180 x 1210 x 85	687233
FILI 180 1x50/54W T16 RFM	180 x 1210 x 85	687353
FILI 180 1x32/35W T16 RFM	180 x 1510 x 85	687253
FILI 180 1x45/49W T16 RFM	180 x 1510 x 85	687333
FILI 180 1x73/80W T16 RFM	180 x 1510 x 85	687393
FILI 180 2x13/14W T16 RFM		687183
FILI 180 2x20/24W T16 RFM		687283
FILI 180 2x25/28W T16 RFM	180 x 1210 x 85	687243
FILI 180 2x50/54W T16 RFM	180 x 1210 x 85	687363
FILI 180 2x32/35W T16 RFM	180 x 1510 x 85	687263
FILI 180 2x45/49W T16 RFM	180 x 1510 x 85	687343
FILI 180 2x73/80W T16 RFM	180 x 1510 x 85	687403
FILI 180 1x18W T26 RFM		687013
FILI 180 1x36W T26 RFM	180 x 1280 x 85	687113
FILI 180 1x58W T26 RFM	180 x 1590 x 85	687153

FILI

FILI 180 with flow recuperator RFB





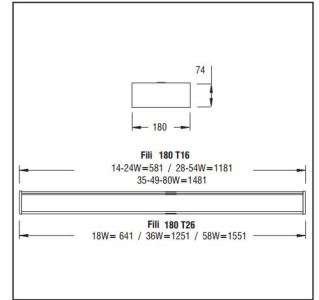









- Flow recuperator RFB parabolic, in white colour.
- Upon request: With asymmetric distribution.



Description	Dimensions	Electronic Ballast Code	
FILI 180 1x13/14W T16 RFB		688173	
FILI 180 1x20/24W T16 RFB		688273	
FILI 180 1x25/28W T16 RFB	180 x 1210 x 85	688233	
FILI 180 1x50/54W T16 RFB	180 x 1210 x 85	688353	
FILI 180 1x32/35W T16 RFB	180 x 1510 x 85	688253	
FILI 180 1x45/49W T16 RFB	180 x 1510 x 85	688333	
FILI 180 1x73/80W T16 RFB	180 x 1510 x 85	688393	
FILI 180 2x13/14W T16 RFB		688183	
FILI 180 2x20/24W T16 RFB		688283	
FILI 180 2x25/28W T16 RFB	180 x 1210 x 85	688243	
FILI 180 2x50/54W T16 RFB	180 x 1210 x 85	688363	
FILI 180 2x32/35W T16 RFB	180 x 1510 x 85	688263	
FILI 180 2x45/49W T16 RFB	180 x 1510 x 85	688343	
FILI 180 2x73/80W T16 RFB	180 x 1510 x 85	688403	
FILI 180 1x18W T26 RFB		688013	
FILI 180 1x36W T26 RFB	180 x 1280 x 85	688113	
FILI 180 1x58W T26 RFB	180 x 1590 x 85	688153	

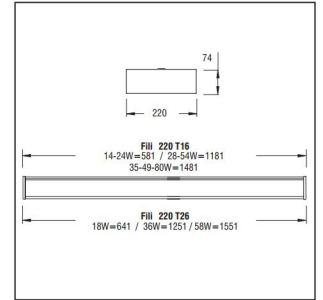


FILI

FILI 220 2M

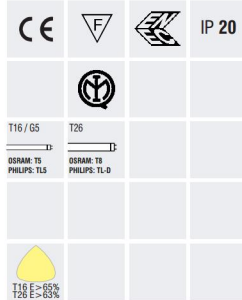


- Screen 2M with parabolic transverse louvres and double parabolic longitudinal components (reflectors), from anodized non iridescent specular aluminium.
- 2M louvre has illuminance <math><1000\text{cd/m}^2</math> for radial angles >math>65^\circ</math>.

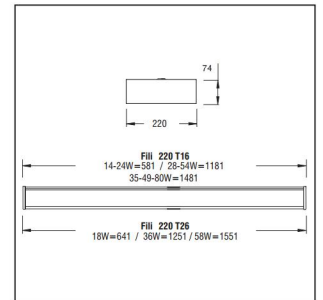


Description	Dimensions	Electronic Ballast Code
FILI 220 2x13/14W T16 2M		691183
FILI 220 2x20/24W T16 2M		691283
FILI 220 2x25/28W T16 2M	220 x 1210 x 85	691243
FILI 220 2x50/54W T16 2M	220 x 1210 x 85	691363
FILI 220 2x32/35W T16 2M	220 x 1510 x 85	691263
FILI 220 2x45/49W T16 2M	220 x 1510 x 85	691343
FILI 220 2x73/80W T16 2M	220 x 1510 x 85	691403
FILI 220 2x18W T26 2M		691023
FILI 220 2x36W T26 2M	220 x 1280 x 85	691123
FILI 220 2x58W T26 2M	220 x 1590 x 85	691163

FILI 220 2S



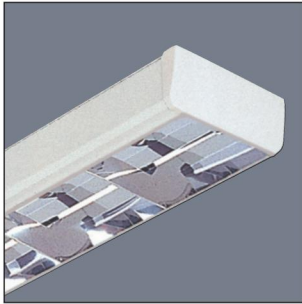
- Screen 2S with parabolic transverse louvres and double parabolic longitudinal components (reflectors), from anodized non iridescent semi-glossy aluminium.
- 2S louvre has illuminance <math><1000\text{cd/m}^2</math> for radial angles >math>65^\circ</math>.



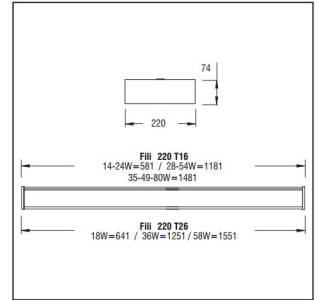
Description	Dimensions	Electronic Ballast Code
FILI 220 2x13/14W T16 2S		692183
FILI 220 2x20/24W T16 2S		692283
FILI 220 2x25/28W T16 2S	220 x 1210 x 85	692243
FILI 220 2x50/54W T16 2S	220 x 1210 x 85	692363
FILI 220 2x32/35W T16 2S	220 x 1510 x 85	692263
FILI 220 2x45/49W T16 2S	220 x 1510 x 85	692343
FILI 220 2x73/80W T16 2S	220 x 1510 x 85	692403
FILI 220 2x18W T26 2S		692023
FILI 220 2x36W T26 2S	220 x 1280 x 85	692123
FILI 220 2x58W T26 2S	220 x 1590 x 85	692163

FILI

FILI 220 3M



- Screen 3M with parabolic transverse louvres and double parabolic longitudinal components (reflectors), with square cell section from anodized non iridescent specular aluminium.

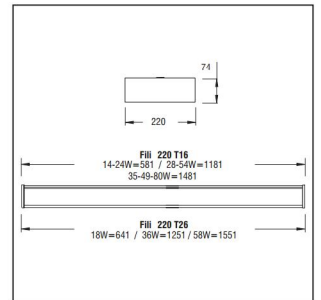


Description	Dimensions	Electronic Ballast Code
FILI 220 2x13/14W T16 3M		693183
FILI 220 2x20/24W T16 3M		693283
FILI 220 2x25/28W T16 3M	220 x 1210 x 85	693243
FILI 220 2x50/54W T16 3M	220 x 1210 x 85	693363
FILI 220 2x32/35W T16 3M	220 x 1510 x 85	693263
FILI 220 2x45/49W T16 3M	220 x 1510 x 85	693343
FILI 220 2x73/80W T16 3M	220 x 1510 x 85	693403
FILI 220 2x18W T26 3M		693023
FILI 220 2x36W T26 3M	220 x 1280 x 85	693123
FILI 220 2x58W T26 3M	220 x 1590 x 85	693163

FILI 220 3V



- Screen 3V with parabolic transverse louvres and double parabolic longitudinal components (reflectors), with square cell section in white painted aluminium.



Description	Dimensions	Electronic Ballast Code
FILI 220 2x13/14W T16 3V		694183
FILI 220 2x20/24W T16 3V		694283
FILI 220 2x25/28W T16 3V	220 x 1210 x 85	694243
FILI 220 2x50/54W T16 3V	220 x 1210 x 85	694363
FILI 220 2x32/35W T16 3V	220 x 1510 x 85	694263
FILI 220 2x45/49W T16 3V	220 x 1510 x 85	694343
FILI 220 2x73/80W T16 3V	220 x 1510 x 85	694403
FILI 220 2x18W T26 3V		694023
FILI 220 2x36W T26 3V	220 x 1280 x 85	694123
FILI 220 2x58W T26 3V	220 x 1590 x 85	694163

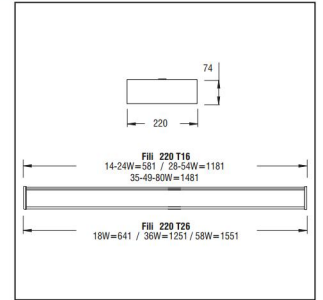
FILI

FILI 220 with flow recuperator RFMG



CE	F	IP 20
OSRAM: T5 PHILIPS: T5	OSRAM: T8 PHILIPS: T8-D	
T16 / G5	T26	
T16 E > 85%	T26 E > 83%	

- Flow recuperator RFMG parabolic, in specular non-iridescent aluminium.
- Upon request: With asymmetric distribution.



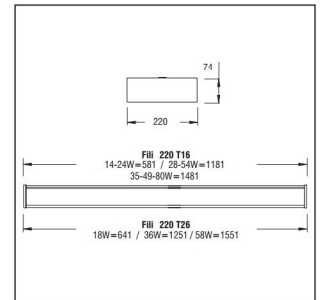
Description	Dimensions	Electronic Ballast Code
FILI 220 2x13/14W T16 RFMG		696183
FILI 220 2x20/24W T16 RFMG		696283
FILI 220 2x25/28W T16 RFMG	220 x 1210 x 85	696243
FILI 220 2x50/54W T16 RFMG	220 x 1210 x 85	696363
FILI 220 2x32/35W T16 RFMG	220 x 1510 x 85	696263
FILI 220 2x45/49W T16 RFMG	220 x 1510 x 85	696343
FILI 220 2x73/80W T16 RFMG	220 x 1510 x 85	696403
FILI 220 2x18W T26 RFMG		696023
FILI 220 2x36W T26 RFMG	220 x 1280 x 85	696123
FILI 220 2x58W T26 RFMG	220 x 1590 x 85	696163

FILI 220 with flow recuperator RFM



CE	F	IP 20
OSRAM: T5 PHILIPS: T5	OSRAM: T8 PHILIPS: T8-D	
T16 / G5	T26	
T16 E > 72%	T26 E > 76%	

- Flow recuperator RFM parabolic, in semi-glossy aluminium non iridescent.
- Upon request: With asymmetric distribution.



Description	Dimensions	Electronic Ballast Code
FILI 220 2x13/14W T16 RFM		697183
FILI 220 2x20/24W T16 RFM		697283
FILI 220 2x25/28W T16 RFM	220 x 1210 x 85	697243
FILI 220 2x50/54W T16 RFM	220 x 1210 x 85	697363
FILI 220 2x32/35W T16 RFM	220 x 1510 x 85	697263
FILI 220 2x45/49W T16 RFM	220 x 1510 x 85	697343
FILI 220 2x73/80W T16 RFM	220 x 1510 x 85	697403
FILI 220 2x18W T26 RFM		697023
FILI 220 2x36W T26 RFM	220 x 1280 x 85	697123
FILI 220 2x58W T26 RFM	220 x 1590 x 85	697163

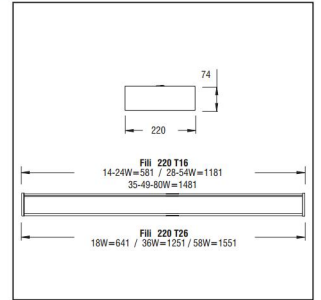
FILI

FILI 220 with flow recuperator RFB



CE	F	IP 20
T16 / G5	T26	
OSRAM: T5 PHILIPS: TL5	OSRAM: T8 PHILIPS: TL-D	
T16 E>=80%	T26 E>=87%	

- Flow recuperator RFB parabolic, in white colour.
- Upon request: With asymmetric distribution.



Description	Dimensions	Electronic Ballast Code
FILI 220 2x13/14W T16 RFB		698183
FILI 220 2x20/24W T16 RFB		698283
FILI 220 2x25/28W T16 RFB	220 x 1210 x 85	698243
FILI 220 2x50/54W T16 RFB	220 x 1210 x 85	698363
FILI 220 2x32/35W T16 RFB	220 x 1510 x 85	698263
FILI 220 2x45/49W T16 RFB	220 x 1510 x 85	698343
FILI 220 2x73/80W T16 RFB	220 x 1510 x 85	698403
FILI 220 2x18W T26 RFB		698023
FILI 220 2x36W T26 RFB	220 x 1280 x 85	698123
FILI 220 2x58W T26 RFB	220 x 1590 x 85	698163

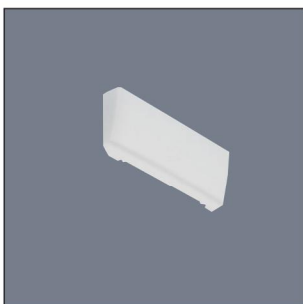
FILI ACCESSORY - CONNECTOR



- Connector for continuous lighting systems, made of white plastic with high thermal resistance. It ensures the perfect fit of the FILI structures.

Code	Description
608003	For lum. Fili 180
608004	For lum. Fili 220

FILI ACCESSORY - END CAP

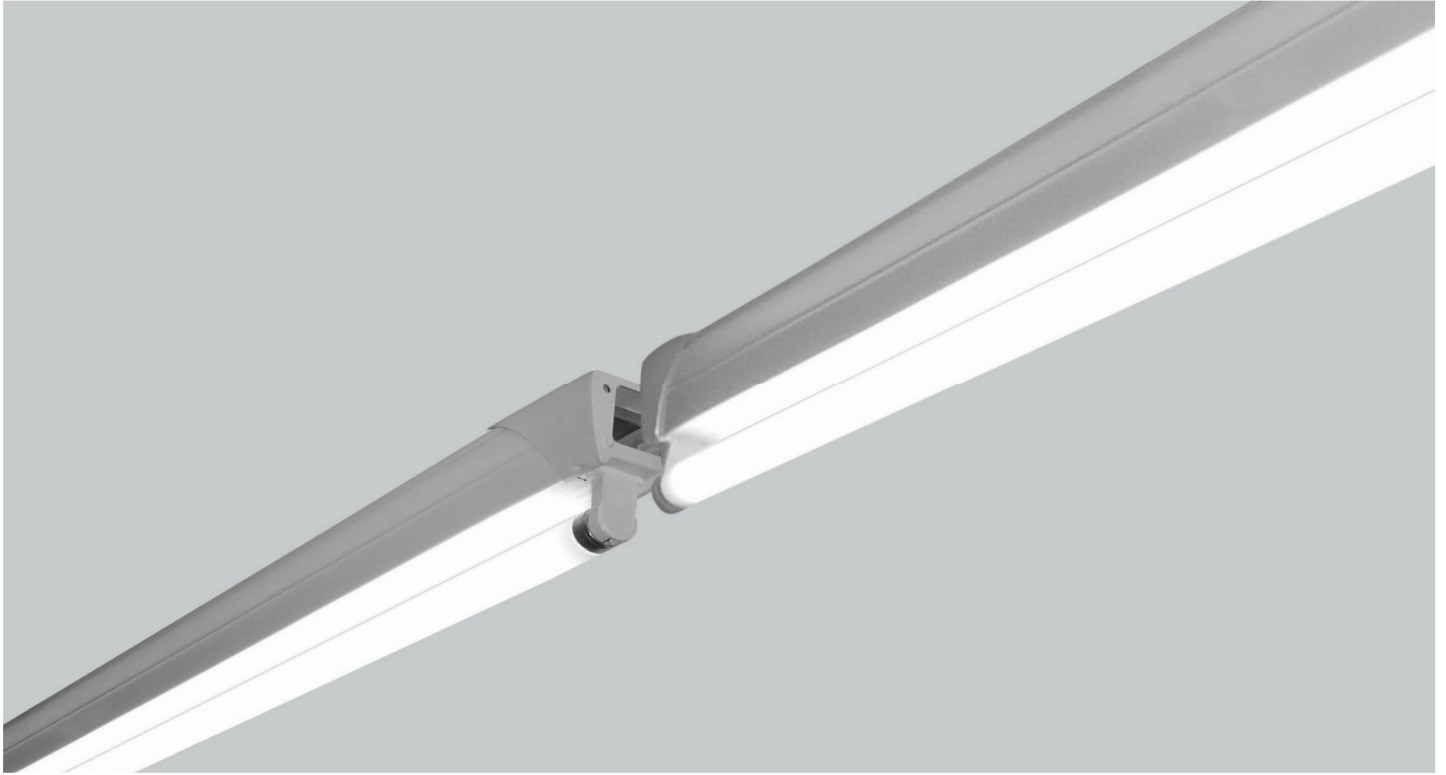


- Removable **end cap**, made of white painted steel, to form continuous lighting systems

Code	Description
608001	For lum. Fili 180
608002	For lum. Fili 220

FILI



ARETE**Technical Features**

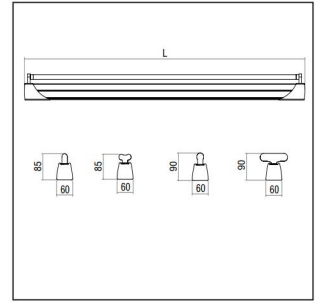
- Luminaires for fluorescent lamps T16 & T26.
- Steel body, electrostatically painted in white colour.
- End caps made of white plastic with high thermal resistance.
- Connection for operation on 230V-50/60Hz with conventional ballast and power factor correction capacitor (lamps T26).
- Connection for operation on 230V-50/60Hz with electronic ballast (lamps T16 & T26).
- Connection for operation with electronic dimmable ballast (lamps T16 & T26).
- Connection for emergency lighting system (lamps T16 & T26).

ARETE

ARETE



CE	F	RoHS	IP 20
T16 / G5	T26		
OSRAM T5 PHILIPS TL5	OSRAM T8 PHILIPS TL-D		

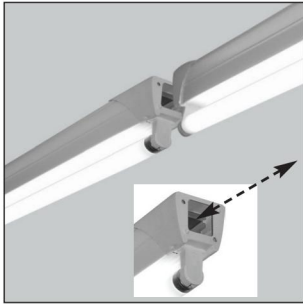


Description	Dimensions	Conventional Ballast and capacitor Code	Electronic Ballast Code
ARETE 1x18W T26	60 x 630 x 93	131012	131013
ARETE 1x36W T26	60 x 1240 x 93	131112	131113
ARETE 1x58W T26	60 x 1540 x 93	131152	131153
ARETE 2x18W T26	100 x 630 x 93	131022	131023
ARETE 2x36W T26	100 x 1240 x 93	131122	131123
ARETE 2x58W T26	100 x 1540 x 93	131162	131163
ARETE 1x13/14W T16	60 x 588 x 85		131183
ARETE 1x20/24W T16	60 x 588 x 85		131283
ARETE 1x19/21W T16	60 x 888 x 85		131223
ARETE 1x34/39W T16	60 x 888 x 85		131323
ARETE 1x25/28W T16	60 x 1188 x 85		131243
ARETE 1x50/54W T16	60 x 1188 x 85		131363
ARETE 1x32/35W T16	60 x 1488 x 85		131263
ARETE 1x45/49W T16	60 x 1488 x 85		131343
ARETE 1x73/80W T16	60 x 1488 x 85		131403
ARETE 2x13/14W T16	60 x 588 x 85		131193
ARETE 2x20/24W T16	60 x 588 x 85		131293
ARETE 2x19/21W T16	60 x 888 x 85		131233
ARETE 2x34/39W T16	60 x 888 x 85		131333
ARETE 2x25/28W T16	60 x 1188 x 85		131253
ARETE 2x50/54W T16	60 x 1188 x 85		131373
ARETE 2x32/35W T16	60 x 1488 x 85		131273
ARETE 2x45/49W T16	60 x 1488 x 85		131353
ARETE 2x73/80W T16	60 x 1488 x 85		131413



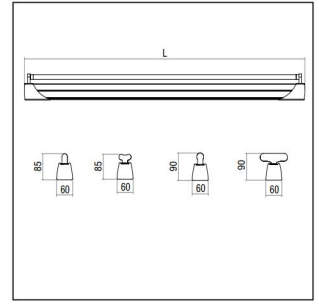
ARETE

ARETE - CONTINUOUS LIGHTING SYSTEMS



CE	F		IP 20
T16 / G5			
OSRAM TO PHILIPS T15			

- Connector for continuous lighting systems, made of white plastic with high thermal resistance.



Description	Dimensions	Electronic ballast empty tranking Code	Electronic Ballast prewired tranking 5x1,5mm ² silicone - Code
ARETE 1x13/14W T16	60 x 588 x 85	654173	
ARETE 1x20/24W T16	60 x 588 x 85	654273	
ARETE 1x25/28W T16	60 x 1188 x 85	654233	653233
ARETE 1x50/54W T16	60 x 1188 x 85	654353	653353
ARETE 1x32/35W T16	60 x 1488 x 85	654253	653253
ARETE 1x45/49W T16	60 x 1488 x 85	654333	653333
ARETE 1x73/80W T16	60 x 1488 x 85	654393	653393
ARETE 2x13/14W T16	60 x 588 x 85	654183	
ARETE 2x20/24W T16	60 x 588 x 85	654283	
ARETE 2x25/28W T16	60 x 1188 x 85	654243	653243
ARETE 2x50/54W T16	60 x 1188 x 85	654363	653363
ARETE 2x32/35W T16	60 x 1488 x 85	654263	653263
ARETE 2x45/49W T16	60 x 1488 x 85	654343	653343
ARETE 2x73/80W T16	60 x 1488 x 85	654403	653403

Description	Dimensions	Electronic Ballast prewired tranking 7x1,5mm ² silicone - Code
ARETE 1x25/28W T16	60 x 1188 x 85	655233
ARETE 1x50/54W T16	60 x 1188 x 85	655353
ARETE 1x32/35W T16	60 x 1488 x 85	655253
ARETE 1x45/49W T16	60 x 1488 x 85	655333
ARETE 1x73/80W T16	60 x 1488 x 85	655393
ARETE 2x25/28W T16	60 x 1188 x 85	655243
ARETE 2x50/54W T16	60 x 1188 x 85	655363
ARETE 2x32/35W T16	60 x 1488 x 85	655263
ARETE 2x45/49W T16	60 x 1488 x 85	655343
ARETE 2x73/80W T16	60 x 1488 x 85	655403
ARETE 1 + 1x45/49W T16 with 1 ballast 2x49W (1 circuit luminaire)	60 x 2987 x 85	655493
ARETE 1 + 1x45/49W T16 with 2 ballast 1x49W (2 circuits luminaire)	60 x 2987 x 85	655490
ARETE 1 + 1x73/80W T16 with 1 ballast 2x80W (1 circuit luminaire)	60 x 2987 x 85	655533
ARETE 1 + 1x73/80W T16 with 2 ballast 1x80W (2 circuits luminaire)	60 x 2987 x 85	655530

ARETE ACCESSORY - TERMINAL PLASTIC ELEMENTS

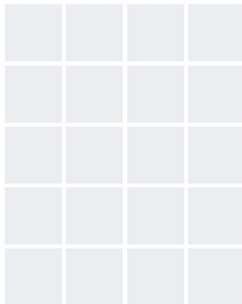


- For each complete row of lighting
 - Necessary accessory one pair of elements.
 - White colour.

Code	Description
605101	Pair of terminal plastic elements

ARETE - REFLECTORS

WHITE REFLECTOR

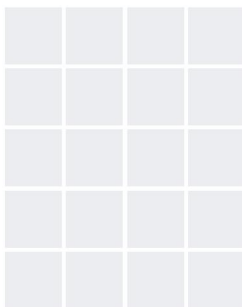


- Parabolic reflector made of steel, electrostatically painted in white colour.

Code	Description	Dimensions
103201	ARETE 1/18 RW	135 x 640 x 50
103203	ARETE 1/36 RW	135 x 1250 x 50
103205	ARETE 1/58 RW	135 x 1550 x 50
103202	ARETE 2/18 RW	190 x 640 x 50
103204	ARETE 2/36 RW	190 x 1250 x 50
103206	ARETE 2/58 RW	190 x 1550 x 50
103207	ARETE 1-2 /14-24 RW	135 x 593 x 50
103208	ARETE 1-2 /21-39 RW	135 x 893 x 50
103209	ARETE 1-2 /28-54 RW	135 x 1193 x 50
103210	ARETE 1-2 /35-49-80 RW	135 x 1493 x 50



SPECULAR REFLECTOR

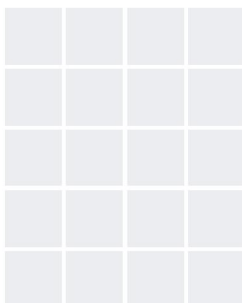


- Parabolic reflector made of anodized non iridescent specular aluminium.

Code	Description	Dimensions
103301	ARETE 1/18 RS	135 x 640 x 50
103303	ARETE 1/36 RS	135 x 1250 x 50
103305	ARETE 1/58 RS	135 x 1550 x 50
103302	ARETE 2/18 RS	190 x 640 x 50
103304	ARETE 2/36 RS	190 x 1250 x 50
103306	ARETE 2/58 RS	190 x 1550 x 50
103307	ARETE 1-2 /14-24 RS	135 x 593 x 50
103308	ARETE 1-2 /21-39 RS	135 x 893 x 50
103309	ARETE 1-2 /28-54 RS	135 x 1193 x 50
103310	ARETE 1-2 /35-49-80 RS	135 x 1493 x 50



MATT REFLECTOR

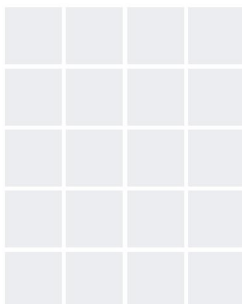


- Parabolic reflector made of anodized non iridescent specular aluminium.

Code	Description	Dimensions
103401	ARETE 1/18 RM	135 x 640 x 50
103403	ARETE 1/36 RM	135 x 1250 x 50
103405	ARETE 1/58 RM	135 x 1550 x 50
103402	ARETE 2/18 RM	190 x 640 x 50
103404	ARETE 2/36 RM	190 x 1250 x 50
103406	ARETE 2/58 RM	190 x 1550 x 50
103407	ARETE 1-2 /14-24 RM	135 x 593 x 50
103408	ARETE 1-2 /21-39 RM	135 x 893 x 50
103409	ARETE 1-2 /28-54 RM	135 x 1193 x 50
103410	ARETE 1-2 /35-49-80 RM	135 x 1493 x 50



PERFORATED REFLECTOR



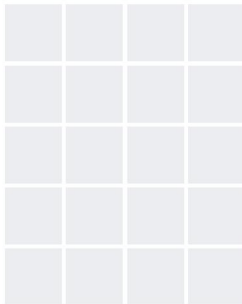
- Steel parabolic reflector, painted electrostatically in white colour.

Code	Description	Dimensions
103507	ARETE 1-2 /14-24 RPW	135 x 593 x 50
103508	ARETE 1-2 /21-39 RPW	135 x 893 x 50
103509	ARETE 1-2 /28-54 RPW	135 x 1193 x 50
103510	ARETE 1-2 /35-49-80 RPW	135 x 1493 x 50



ARETE - REFLECTORS

ASYMMETRIC REFLECTOR

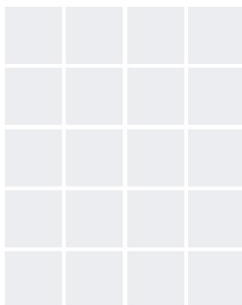


- Steel parabolic reflector, painted electrostatically in white colour.

Code	Description	Dimensions
103607	ARETE 1-2 /14-24 RWA	135 x 593 x 50
103608	ARETE 1-2 /21-39 RWA	135 x 893 x 50
103609	ARETE 1-2 /28-54 RWA	135 x 1193 x 50
103610	ARETE 1-2 /35-49-80 RWA	135 x 1493 x 50



EXTREMELY NARROW



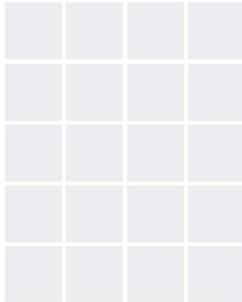
- Parabolic reflector made of anodized non iridescent specular aluminium.

Code	Description	Dimensions
103321	ARETE 1-2 /14-24 ENB	180 x 593 x 105
103322	ARETE 1-2 /21-39 ENB	180 x 893 x 105
103323	ARETE 1-2 /28-54 ENB	180 x 1193 x 105
103324	ARETE 1-2 /35-49-80 ENB	180 x 1493 x 105



ARETE - ACCESSORIES

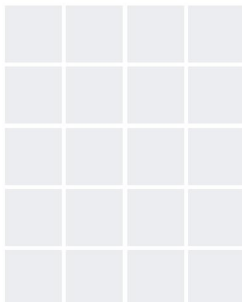
LOUVRE



- Steel louvre electrostatically painted in white colour.
- Placed only as component on white reflectors (width 135mm) at ARETE CONTINUOUS LIGHTING SYSTEMS.
- White colour.

Code	Description	Dimensions
650217	LOUVRE ARETE T5 1-2x14/24W	593mm
650237	LOUVRE ARETE T5 1-2x28/54W	1193mm
650257	LOUVRE ARETE T5 1-2x35/49/80W	1493mm

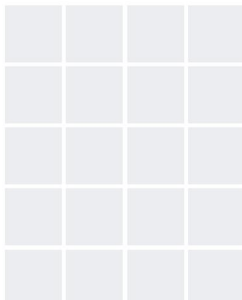
LOUVRE



- Parabolic louvre 3M made of anodized non-iridescent glossy high-purity aluminium.

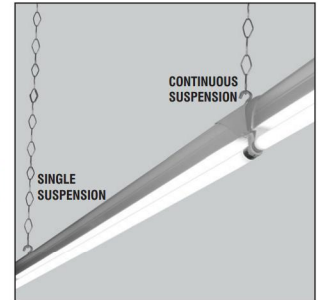
Code	Description	Dimensions
650238	LOUVRE P3M P3M T5 1-2x28/54W	1193mm
650258	LOUVRE P3M T5 1-2x35/49/80W	1493mm

SUSPENSION

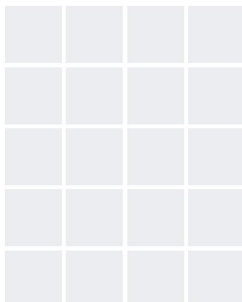


- Suspensions in white colour.

Code	Description
605104	SINGLE SUSPENSION BASE
605103	CONTINUOUS SUSPENSION BASE
605105	CORD (1m)

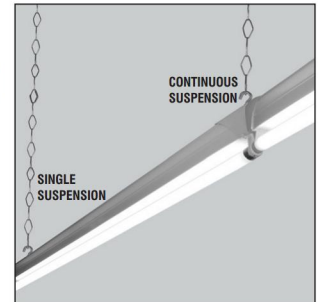


SUSPENSION

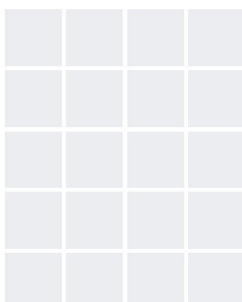


- Suspensions in white colour.

Code	Description
605107	SINGLE SUSPENSION BASE (for cord)
605106	CONTINUOUS SUSPENSION BASE (for cord)
Stainless steel cord suspension and regulator	
900111	CORD SUSPENSION 500m
900112	CORD SUSPENSION 1000m
900113	CORD SUSPENSION 1500m
900114	CORD SUSPENSION 2000m
900116	CORD SUSPENSION 3000m



END CAPS



- Reflector end caps for ARETE T5 & single-lamp T8.

Code	Description
605108	End caps (pair)

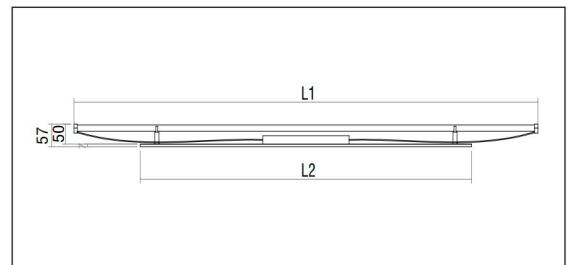
ARETE



LINEA - Fitting for diffused lighting



CE	F	IP 20
T16 / G5		
OSRAM T5		
PHILIPS TL5		

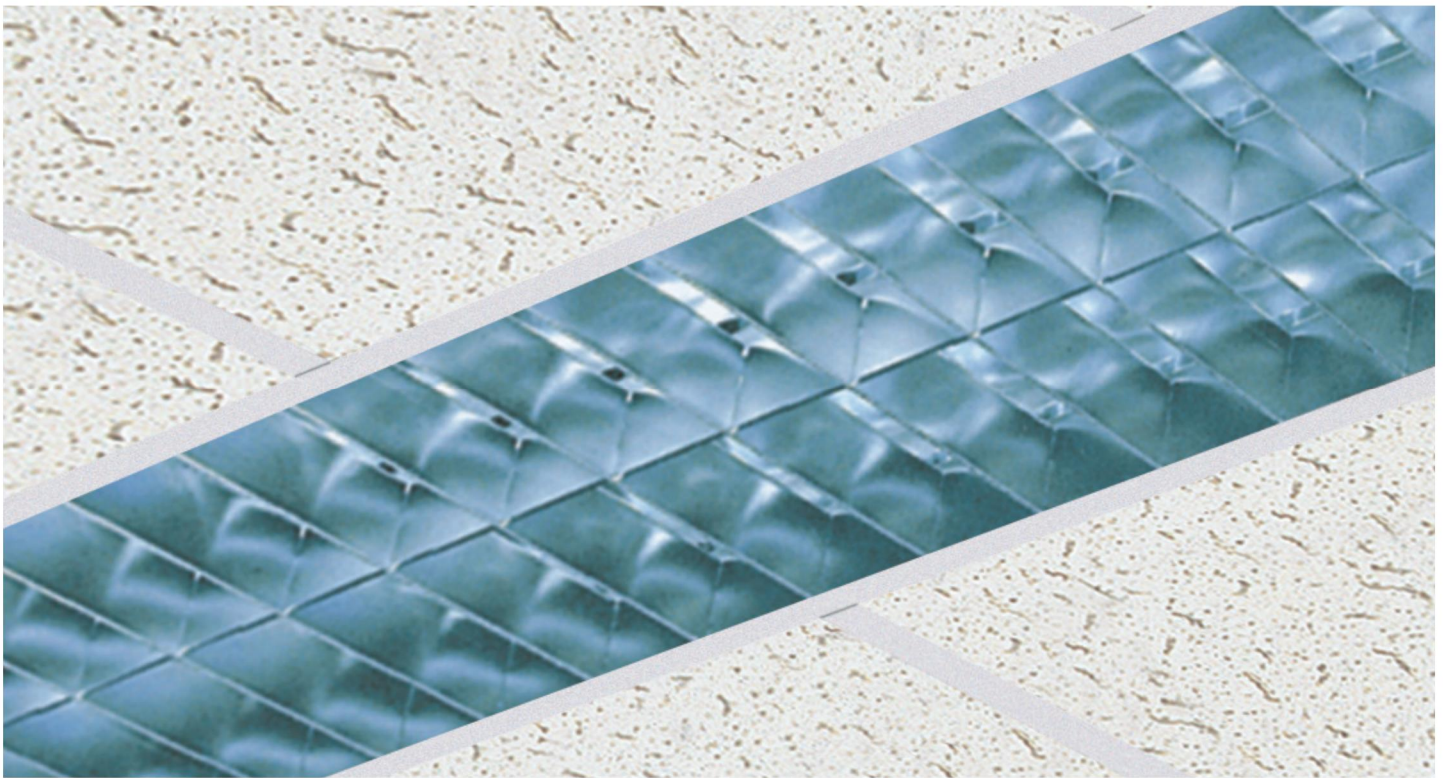


Technical Features

- Luminaires for fluorescent lamps T16.
- Steel body, electrostatically painted in white colour.

Code	Description	Dimensions	
		L1	L2
661173	LINEA 13/14W	57	45
661273	LINEA 20/24W	57	45
661213	LINEA 19/21W	87	70
661313	LINEA 34/39W	87	70
661233	LINEA 25/28W	117	100
661353	LINEA 50/54W	117	100
661253	LINEA 32/35W	147	100
661333	LINEA 45/49W	147	100
661393	LINEA 73/80W	147	100

KP

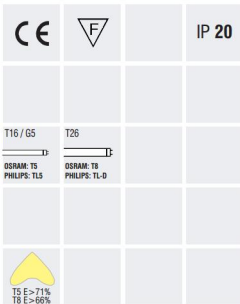


Technical Features

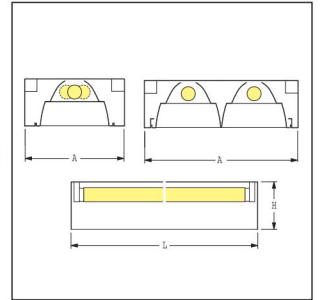
- Luminaires for fluorescent lamps T16 & T26.
- Steel body, electrostatically painted in white colour.
- At the luminaires KP242, the screens do not have longitudinal central elements V.
- Connection for operation on 230V-50/60Hz with conventional ballast and power factor correction capacitor (lamps T26).
- Connection for operation on 230V-50/60Hz with electronic ballast (lamps T16 & T26).
- Connection for operation with electronic dimmable ballast (lamps T16 & T26).
- Connection for emergency lighting system (lamps T16 & T26).

KP

KP2M 220-240

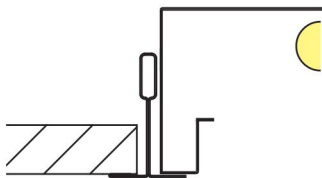


- Screen 2M with parabolic transverse louvres and double parabolic longitudinal components (reflectors), from anodized non iridescent specular aluminium.
- 2M louvre has illuminance <math>< 200\text{cd/m}^2</math> for radial angles >math>65^\circ</math> at the luminaires KP221 & KP222, while at the luminaires KP242 it has illuminance <math>< 1000\text{cd/m}^2</math> for radial angles >math>65^\circ</math>.



Description	Dimensions			Conventional Ballast and capacitor Code	Electronic Ballast Code
	A	L	H		
KP2M 221x18W T26	171	620	90	611012	611013
KP2M 221x36W T26	171	1230	90	611112	611113
KP2M 221x58W T26	171	1530	90	611152	611153
KP2M 222x18W T26	296	620	90	611022	611023
KP2M 222x36W T26	296	1230	90	611122	611123
KP2M 222x58W T26	296	1530	90	611162	611163
KP2M 242x18W T26	213	620	90	621022	621023
KP2M 242x36W T26	213	1230	90	621122	621123
KP2M 242x58W T26	213	1530	90	621162	621163
KP2M 221x13/14W T16	171	620	90		611173
KP2M 221x20/24W T16	171	620	90		611273
KP2M 221x25/28W T16	171	1230	90		611233
KP2M 221x50/54W T16	171	1230	90		611353
KP2M 221x32/35W T16	171	1530	90		611253
KP2M 221x45/49W T16	171	1530	90		611333
KP2M 221x73/80W T16	171	1530	90		611393
KP2M 242x13/14W T16	213	620	90		621183
KP2M 242x20/24W T16	213	620	90		621283
KP2M 242x25/28W T16	213	1230	90		621243
KP2M 242x50/54W T16	213	1230	90		621363
KP2M 242x32/35W T16	213	1530	90		621263
KP2M 242x45/49W T16	213	1530	90		621343
KP2M 242x73/80W T16	213	1530	90		621403
KP2M 222x50/54W T16	296	1230	90		611363
KP2M 222x45/49W T16	296	1530	90		611343
KP2M 222x73/80W T16	296	1530	90		611403

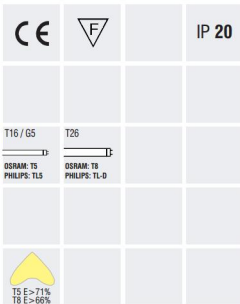
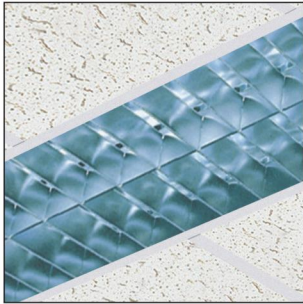
Number of the luminaire's lamps: the third digit of the first number (at the description) corresponds to the number of lamps eg 221x18W = 1x18W.



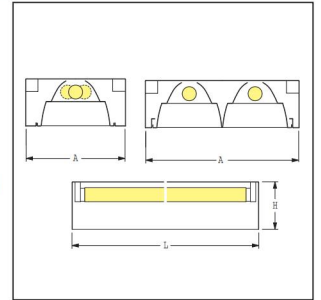
Recessed luminaires in mineral fiber panels with exposed structure

KP

KP2S 220-240

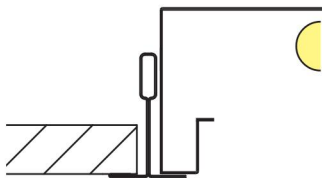


- Screen 2S with parabolic transverse louvres and double parabolic longitudinal components (reflectors), from anodized non iridescent semi-glossy aluminium (non-reflecting).
- 2S louvre has illuminance $< 200\text{cd/m}^2$ for radial angles $> 65^\circ$ at the luminaires KP221 & KP222, while at the luminaires KP242 it has illuminance $< 1000\text{cd/m}^2$ for radial angles $> 65^\circ$.



Description	Dimensions			Conventional Ballast and capacitor Code	Electronic Ballast Code
	A	L	H		
KP2S 221x18W T26	171	620	90	613012	613013
KP2S 221x36W T26	171	1230	90	613112	613113
KP2S 221x58W T26	171	1530	90	613152	613153
KP2S 222x18W T26	296	620	90	613022	613023
KP2S 222x36W T26	296	1230	90	613122	613123
KP2S 222x58W T26	296	1530	90	613162	613163
KP2S 242x18W T26	213	620	90	623022	623023
KP2S 242x36W T26	213	1230	90	623122	623123
KP2S 242x58W T26	213	1530	90	623162	623163
KP2S 221x13/14W T16	171	620	90		613173
KP2S 221x20/24W T16	171	620	90		613273
KP2S 221x25/28W T16	171	1230	90		613233
KP2S 221x50/54W T16	171	1230	90		613353
KP2S 221x32/35W T16	171	1530	90		613253
KP2S 221x45/49W T16	171	1530	90		613333
KP2S 221x73/80W T16	171	1530	90		613393
KP2S 242x13/14W T16	213	620	90		623183
KP2S 242x20/24W T16	213	620	90		623283
KP2S 242x25/28W T16	213	1230	90		623243
KP2S 242x50/54W T16	213	1230	90		623363
KP2S 242x32/35W T16	213	1530	90		623263
KP2S 242x45/49W T16	213	1530	90		623343
KP2S 242x73/80W T16	213	1530	90		623403
KP2S 222x50/54W T16	296	1230	90		613363
KP2S 222x45/49W T16	296	1530	90		613343
KP2S 222x73/80W T16	296	1530	90		613403

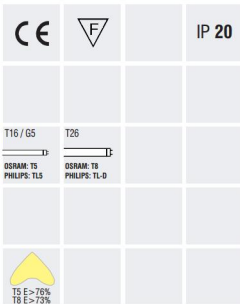
Number of the luminaire's lamps: the third digit of the first number (at the description) corresponds to the number of lamps eg 221x18W = 1x18W.



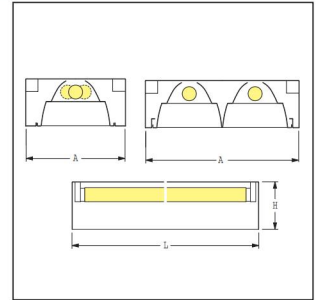
Recessed luminaires in mineral fiber panels with exposed structure

KP

KP3M 220-240

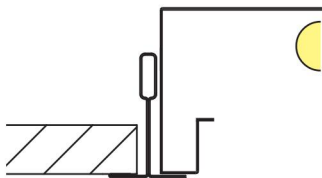


- Screen 3M with parabolic transverse louvres and double parabolic longitudinal components (reflectors), with square cell section from anodized non iridescent specular aluminium.



Description	Dimensions			Conventional Ballast and capacitor Code	Electronic Ballast Code
	A	L	H		
KP3M 221x18W T26	171	620	90	612012	612013
KP3M 221x36W T26	171	1230	90	612112	612113
KP3M 221x58W T26	171	1530	90	612152	612153
KP3M 222x18W T26	296	620	90	612022	612023
KP3M 222x36W T26	296	1230	90	612122	612123
KP3M 222x58W T26	296	1530	90	612162	612163
KP3M 242x18W T26	213	620	90	622022	622023
KP3M 242x36W T26	213	1230	90	622122	622123
KP3M 242x58W T26	213	1530	90	622162	622163
KP3M 221x13/14W T16	171	620	90		612173
KP3M 221x20/24W T16	171	620	90		612273
KP3M 221x25/28W T16	171	1230	90		612233
KP3M 221x50/54W T16	171	1230	90		612353
KP3M 221x32/35W T16	171	1530	90		612253
KP3M 221x45/49W T16	171	1530	90		612333
KP3M 221x73/80W T16	171	1530	90		612393
KP3M 242x13/14W T16	213	620	90		622183
KP3M 242x20/24W T16	213	620	90		622283
KP3M 242x25/28W T16	213	1230	90		622243
KP3M 242x50/54W T16	213	1230	90		622363
KP3M 242x32/35W T16	213	1530	90		622263
KP3M 242x45/49W T16	213	1530	90		622343
KP3M 242x73/80W T16	213	1530	90		622403
KP3M 222x50/54W T16	296	1230	90		612363
KP3M 222x45/49W T16	296	1530	90		612343
KP3M 222x73/80W T16	296	1530	90		612403

Number of the luminaire's lamps: the third digit of the first number (at the description) corresponds to the number of lamps eg 221x18W = 1x18W.



Recessed luminaires in mineral fiber panels with exposed structure

KP

