

TRITON

TRITON is a compact luminaire with minimal design. It's cutting-edge LED technology ensures excellent colour quality and high efficiency and makes TRITON suitable for highlighting several types of premises.

Technical Features

- Aluminium body, painted electrostatically in selected colour.
- High efficiency reflectors in Spot, Medium, Wide versions.
- With Universal adapter for mounting on 3-phase track.
- With point outlet for surface-mounted installation.
- Connection for operation on 230V-50/60Hz with electronic ballast.
- Pure light without IR/UV radiation.
- Efficient thermal management.
- 10W up to 43W wattage range and 1100 up to 4643 luminous flux range.
- Operation life: 50,000 hours with efficiency > 70% of the initial luminous flux.
- Connection for operation on 230V/50Hz.

Upon request:

Available with highest colour rendering index (CRI)

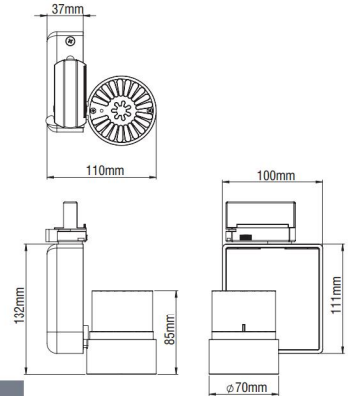
TRITON

TRITON



- Version for LED CHIP.
- Aluminium body.
- Reflector in Medium & Wide version.
- With Universal adapter for mounting on 3-phase track.
- With point outlet for surface-mounted installation.
- 10W power consumption driven at 350mA.
- 14W power consumption driven at 500mA.
- Efficiency:

10W: 4000 K: 1195 Lumen, CRI: min. 80
 10W: 3000 K: 1100 Lumen, CRI: min. 80
 14W: 4000 K: 1615 Lumen, CRI: min. 80
 14W: 3000 K: 1490 Lumen, CRI: min. 80
 Maximum: 129 Lm/W



Code	Description	Kg
89180	TRITON 10W Track	1,000
89181	TRITON 10W Ceiling	1,000
89182	TRITON 14W Track	1,000
89183	TRITON 14W Ceiling	1,000

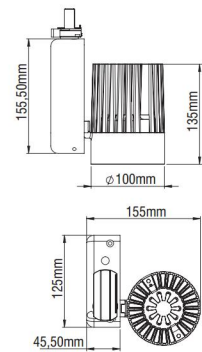
CE	F	IP 20
180°	350°	
LED	50000h	ta 25°C
	Included	

TRITON 2



- Version for LED CHIP.
- Aluminium body.
- Reflector in Spot, Medium & Wide version.
- With Universal adapter for mounting on 3-phase track.
- With point outlet for surface-mounted installation.
- 30W power consumption driven at 700mA.
- 43W power consumption driven at 1050mA.
- Efficiency:

30W: 4000 K: 3290 Lumen, CRI: min. 80
 30W: 3000 K: 3143 Lumen, CRI: min. 80
 43W: 4000 K: 4643 Lumen, CRI: min. 80
 43W: 3000 K: 4435 Lumen, CRI: min. 80
 Maximum: 110Lm/W



Code	Description	Kg
89184	TRITON 30W Track	2,100
89185	TRITON 30W Ceiling	2,100
89186	TRITON 43W Track	2,100
89187	TRITON 43W Ceiling	2,100

CE	F	IP 20
180°	350°	
LED	50000h	ta 25°C
	Included	

LED COLOUR CODES:	BEAM CODES:	Colour Codes:
2 Warm 3 Neutral	01 spot 02 medium 03 wide	0 Colours 1 White 2 Titan 3 Black



