

# SERIES 771-FAVOURITE

## Industrial dust- and waterproof luminaires

With LED or 1 and 2 fluorescent tubes for T5 or T8 lamps



### YOUR MAIN BENEFITS:

A professional luminaire for wide usage, that fulfills the strongest quality requirements. Best price-performance ratio. Best sold model.

Full range available in T8, T5, LED, IP 65, IP66 or IP 67



771 - FAVOURITE

### FIELD OF APPLICATION:

Due to the construction principals of gasket, closing system and diffuser our fixtures ensure a high grade of protection (IP 65, IP66 or IP 67) against dust, contamination and water permeation. In accordance with their IP grade they can be used widely to illuminate spaces with dusty, humid environment.

When using outdoors, the fittings should be protected against direct sunlight and adverse weather conditions.

### TECHNICAL DESCRIPTION AND BENEFITS:

- **Housing:** It is made of flame retardant glass-fibre reinforced polyester (on request suitable for 850°C glow wire test too), in light grey (RAL7035) colour. This material has very good temperature resistance, mechanical stability, furthermore it is a good electrical insulator, it resists the impacts of several chemicals and the impacts of weather conditions. Its stability of size and shape at changing temperatures is excellent.
- **The diffuser is available in the following versions:**
  - Injection moulded polycarbonate (PC)**  
Main advantages: High mechanical strength and heat and shock resistance and excellent transparency.
  - Injection moulded acrylic (PMMA)**  
Main advantages: Very good transparency (better than the transparency of glass), unique non-aging properties and chemical resistance.  
Both diffusers are made with optically designed longitudinal, internal prisms and are **UV resistant**.
- **The gasket** between the diffuser and housing is made of non-aging PU (polyurethane) foam. As option gasket with enhanced resistance is available.
- **Fixing the diffuser to the body:** with highly resistant clips made of polyamide or with stainless steel clips
- **Gear tray (reflector):** White powder coated steel sheet.  
As an option glossy aluminium reflector is possible.
- **Electrical components:** in accordance with the requested specification: LED, low power factor, high power factor or electronic control gear.

IP65

IP66



IP67

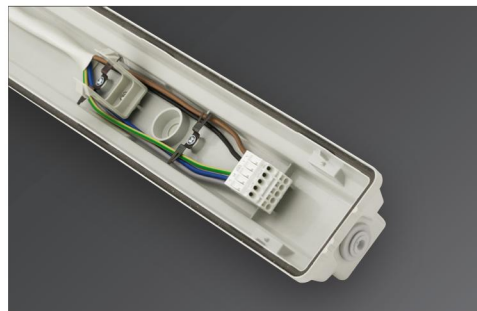


Option:



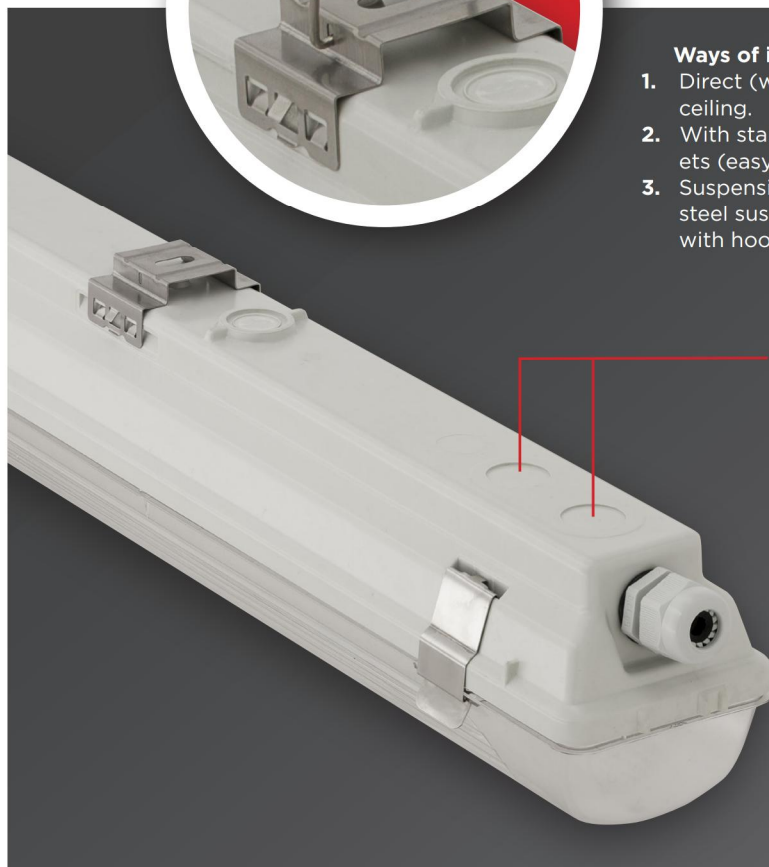
## Main technical options

**Option:**  
Through wiring



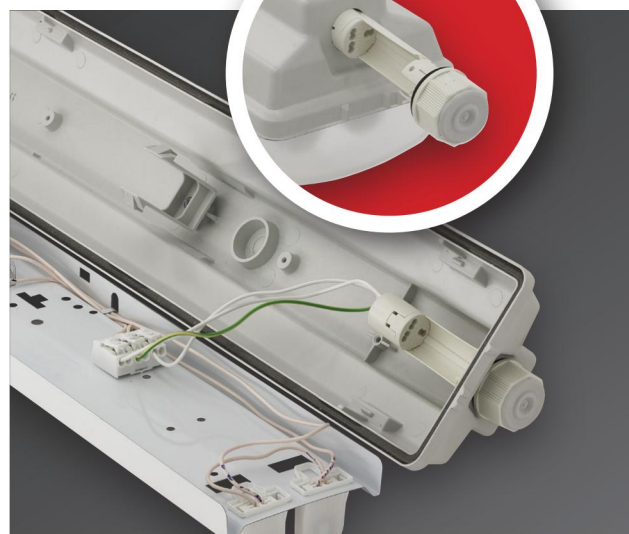
### Ways of installing:

1. Direct (with screws) onto the wall or ceiling.
2. With stainless steel suspension brackets (easy-to-install) onto the ceiling.
3. Suspension on chains with stainless steel suspension brackets mounted with hooks.



Depending on installation options several possibilities for cable entry.

IP 67 protected (PC\_diffuser, cable gland, stainless steel clips and suspension brackets).



The suspension of the diffuser is possible with special stainless steel clips. (On request)

**Option:** To accelerate on-site installation rapid connectors can be ordered, which makes possible the electrical connection without disassembling the luminaire, and ensuring the same IP grade (IP 65).



771-Favourite equipped with a new opalized diffuser with unique light transmissivity specially developed for LED-applications. More information see in LED-part of the catalogue.



**Diffuser:** Injection moulded polycarbonate (PC) or Acrylic (PMMA). Both diffusers are made with optically designed longitudinal internal prisms and are UV resistant.

Fixing the diffuser to the body: With secure, one part captive plastic or stainless steel clips. Cable entry through grommets or through cable glands.



**Further options:**

- LED
- emergency kit
- aluminium reflector
- dimmable ballast
- protection class II
- IP 66
- halogen-free wiring
- automatic terminal

Gear tray (reflector): white powder coated steel sheet, which is fixed to the body by flexible gear tray retaining clips. Therefore it is easy to remove and suspend it during installation.

Universal gear tray for both, T8 as well as T5 version

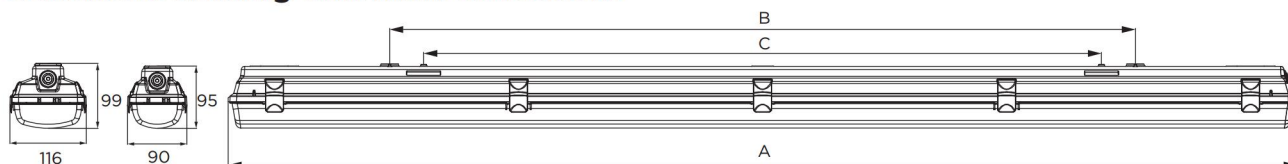
**771 - FAVOURITE**



## Technical Data

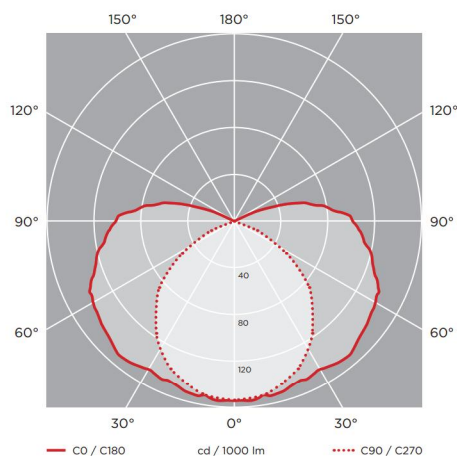
Type	Tube/Lampholder	Power (W)	Dimensions A	(mm) B	(mm) C	Weight (kg)
<b>With B2 magnetic ballast for T8 fluorescent tubes</b>						
771 118 IND	T8/G13	1 x 18	669	460	360	1,99
771 136 IND	T8/G13	1 x 36	1 277	800	700	2,41
771 158 IND	T8/G13	1 x 58	1 577	1 100	1 000	3,15
771 170 IND	T8/G13	1 x 70	1 841	1 164	1 265	3,93
771 218 IND	T8/G13	2 x 18	669	460	360	2,23
771 236 IND	T8/G13	2 x 36	1 277	800	700	3,33
771 258 IND	T8/G13	2 x 58	1 577	1 100	1 000	4,55
771 270 IND	T8/G13	2 x 70	1 841	1 164	1 265	5,08
<b>With electronic control gear for T8 fluorescent tubes</b>						
771 118 EVG	T8/G13	1 x 18	669	460	360	1,67
771 136 EVG	T8/G13	1 x 36	1 277	800	700	2,12
771 158 EVG	T8/G13	1 x 58	1 577	1 100	1 000	2,38
771 170 EVG	T8/G13	1 x 70	1 841	1 164	1 265	3,72
771 218 EVG	T8/G13	2 x 18	669	460	360	2,24
771 236 EVG	T8/G13	2 x 36	1 277	800	700	2,66
771 258 EVG	T8/G13	2 x 58	1 577	1 100	1 000	2,96
771 270 EVG	T8/G13	2 x 70	1 841	1 164	1 265	4,16
<b>With electronic control gear for T5 HE class fluorescent tubes</b>						
771 114 EVG	T5/G5	1 x 14	669	460	360	1,71
771 128 EVG	T5/G5	1 x 28	1 277	800	700	2,16
771 135 EVG	T5/G5	1 x 35	1 577	1 100	1 000	2,39
771 214 EVG	T5/G5	2 x 14	669	460	360	2,25
771 228 EVG	T5/G5	2 x 28	1 277	800	700	2,52
771 235 EVG	T5/G5	2 x 35	1 577	1 100	1 000	2,77
<b>With electronic control gear for T5 HO fluorescent tubes</b>						
771 124 EVG	T5/G5	1 x 24	669	460	360	1,63
771 154 EVG	T5/G5	1 x 54	1 277	800	700	2,16
771 149 EVG	T5/G5	1 x 49	1 577	1 100	1 000	2,53
771 180 EVG	T5/G5	1 x 80	1 577	1 100	1 000	2,58
771 224 EVG	T5/G5	2 x 24	669	460	360	2,23
771 254 EVG	T5/G5	2 x 54	1 277	800	700	2,52
771 249 EVG	T5/G5	2 x 49	1 577	1 100	1 000	2,77
771 280 EVG	T5/G5	2 x 80	1 577	1 100	1 000	2,84

## Schematic drawing with main dimensions



## Photometric curves:

771-Favourite 1x58 luminaire



771-Favourite 2x58 luminaire

