



# SERIES 746-CLEVER

## Industrial dust- and waterproof luminaires

In **basic** version (without gear tray) with 1 and 2 fluorescent tubes for **T8** lamps or with **LED-tubes**.  
 In version with gear tray with **LED** or 1 and 2 fluorescent tubes for **T5** or **T8** lamps

### YOUR MAIN BENEFITS:

Beauty and functionality go hand in hand with reasonable price. Thanks to its special construction this model offers you an **additional price advantage**: **It can be used without any gear tray** (the electrical components are mounted onto the housing directly). A clever solution. Full **range available** in T8, T5, **LED**, IP 65



### FIELD OF APPLICATION:

Thanks to the construction principles of gasket, closing system and diffuser our fixtures ensure a high grade of protection (IP 65) against dust, contamination and water permeation. In accordance with their IP grade they can be widely used to illuminate spaces with dusty, humid environment. In order to reach the optimal cost-performance ratio **the basic version of 746-Clever has been developed without gear tray**. The electrical components are mounted directly into the housing.

When using outdoors, the fittings should be protected against direct sunlight and adverse weather conditions.

### TECHNICAL DESCRIPTION AND BENEFITS:

- **Housing:** It is made of flame retardant glass-fibre reinforced polyester (on request suitable for 850°C glow wire test too), in light grey (RAL7035) colour. This material has very good temperature resistance, mechanical stability, furthermore it is a good electrical insulator, it resists the impacts of several chemicals and the impacts of weather conditions. Its stability of size and shape at changing temperatures is excellent.
- The **diffuser** is available in the following versions:
  - Injection moulded acrylic** (PMMA) in two versions:
    - 1. transparent**, with longitudinal prisms.
    - 2. light opalescent**, designed with respect to their optical characteristics, made with photo etching.
 Main advantages of PMMA: Very good transparency (better than the transparency of glass), unique non-aging properties, chemical and **UV-resistance**.
  - Injection moulded polycarbonate** (PC). Main advantages: high mechanical strength and high heat and shock resistance and excellent transparency. The PC diffusers are made with optically designed longitudinal, internal prisms and are **UV resistant**.
- **The gasket** between the diffuser and housing is made of non-aging PU (polyurethane) foam. As option gasket with enhanced resistance is available.
- **Fixing the diffuser to the body:** with highly resistant clips made of polyamide or with stainless steel clips
- **Gear tray (reflector):** As option white powder coated steel sheet gear tray or glossy aluminium reflector.
- **Way of installing:** direct (with screws) onto the wall or ceiling resp. suspended.
- **Electrical components:** in basic version (without gear tray) low power factor. In case of construction with gear tray, in accordance with the requested specification: LED, low power factor, high power factor or electronic control gear in T8 or T5.

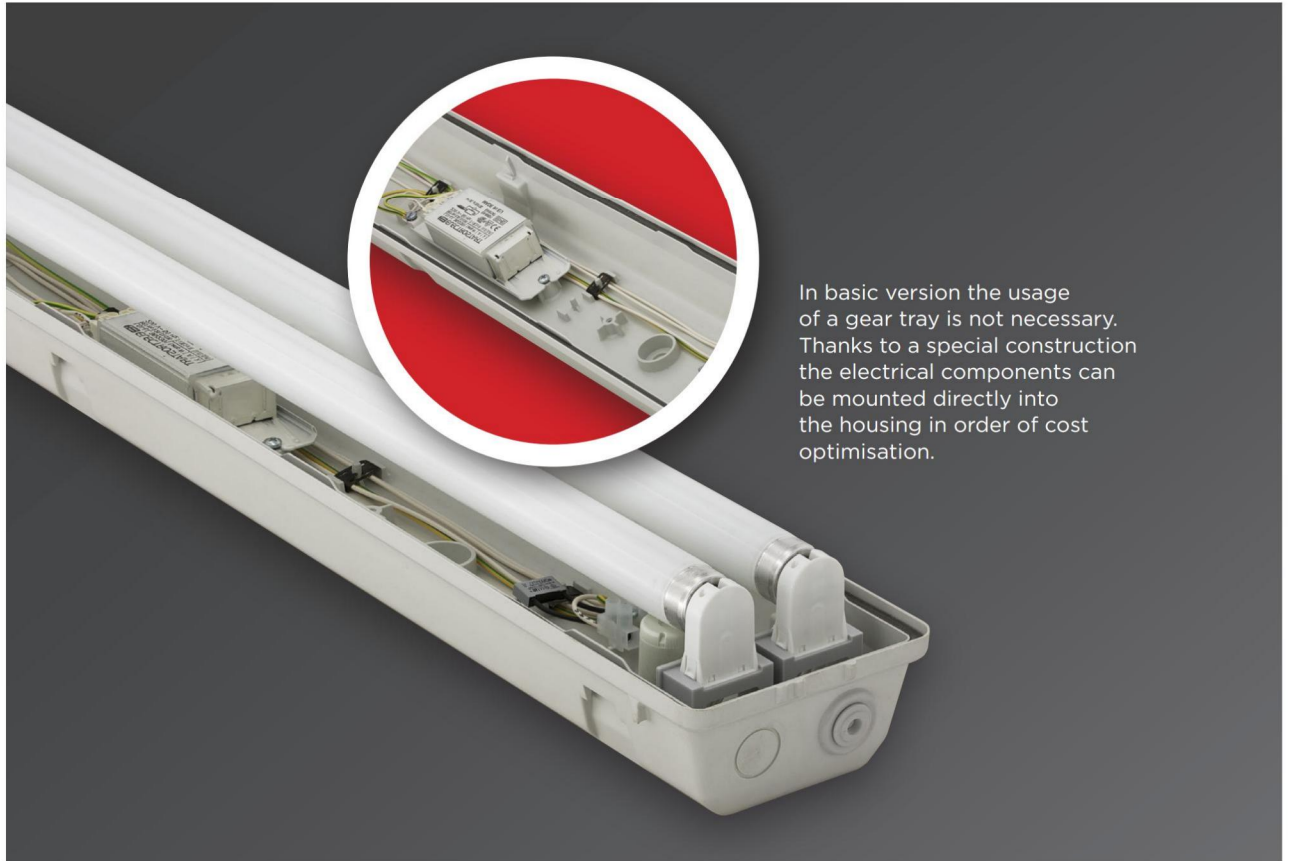


IP65



## Main technical options

746-Clever can be used in two versions: **without** gear tray (basic) as well as **with** gear tray (enhanced)



In basic version the usage of a gear tray is not necessary. Thanks to a special construction the electrical components can be mounted directly into the housing in order of cost optimisation.



Optimized economical packaging with plastic net. On request traditional carton box resp. 4-pcs-carton box packaging available.



746-Clever equipped with LED-tubes



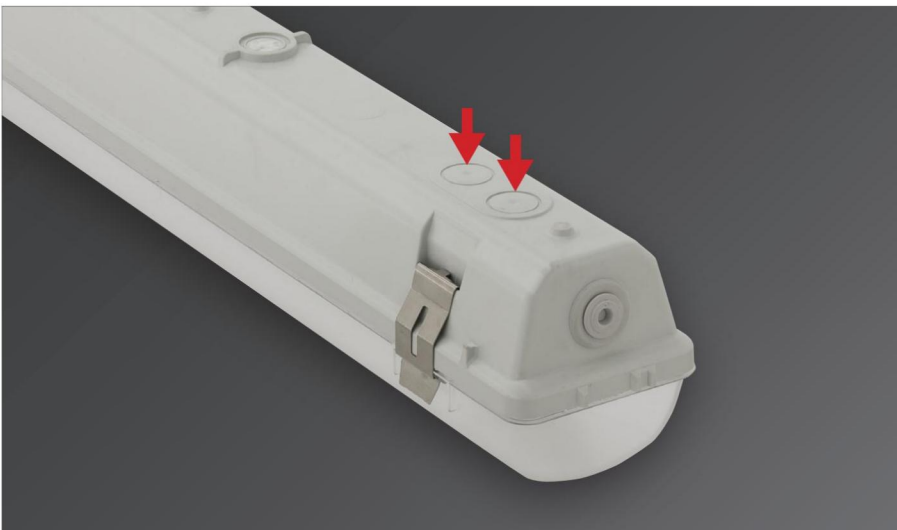
746-Clever equipped with a new opalized diffuser with unique light transmissivity specially developed for LED-applications. More information on LED-versions see in LED-part of the catalogue..



Transparent polycarbonate (PC) or Acrylic (PMMA) diffuser. Both are made with optically designed longitudinal internal prisms and are UV resistant.

The light opalescent PMMA diffusers, designed with respect to their optical characteristics, are made with photo etching and are UV resistant.

Fixing the diffuser to the body: With secure, one part captive plastic or stainless steel clips.



Several possibilities for cable entry.

**Further options:**

- LED
- emergency kit
- through wiring
- aluminium reflector
- dimmable ballast
- rapid connector
- halogen-free wiring
- automatic terminal

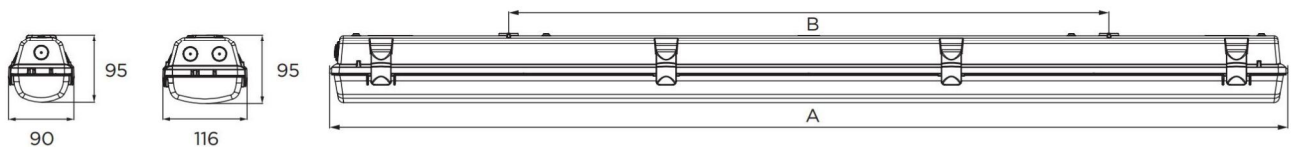
**746 - CLEVER**



## Technical data

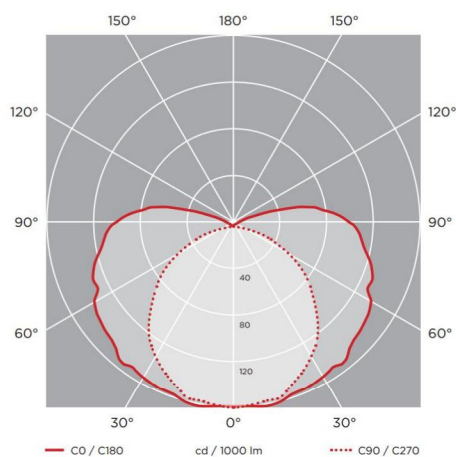
Type	Tube/Lampholder	Power (W)	Dimensions A (mm)	Dimensions A (mm)	Weight (kg)
<b>With B2 magnetic ballast for T8 fluorescent tubes, version without gear tray</b>					
746 118 IND	T8/G13	1 x 18	669	415	1,31
746 136 IND	T8/G13	1 x 36	1 277	800	1,74
746 158 IND	T8/G13	1 x 58	1 577	1 100	2,43
746 218 IND	T8/G13	2 x 18	669	415	1,49
746 236 IND	T8/G13	2 x 36	1 277	800	2,68
746 258 IND	T8/G13	2 x 58	1 577	1 100	3,91
<b>With electronic control gear for T8 fluorescent tubes, version without gear tray</b>					
746 118 EVG	T8/G13	1 x 18	669	415	0,89
746 136 EVG	T8/G13	1 x 36	1 277	800	1,37
746 158 EVG	T8/G13	1 x 58	1 577	1 100	1,67
746 218 EVG	T8/G13	2 x 18	669	415	1,09
746 236 EVG	T8/G13	2 x 36	1 277	800	1,79
746 258 EVG	T8/G13	2 x 58	1 577	1 100	2,13

## Schematic drawing with main dimensions



## Photometric curves:

746-Clever 1x36 luminaire



746-Clever 2x36 luminaire

